

FEATURES:

- Ultra Wide 4:1 input range
- Efficiency up to 88%
- Low Power Consumption 0.12W
- Continuous Short Circuit Protection
- Meet EN55032 Class A with no external component needed
- Operating temperature -40°C to + 85°C
- Remote on/off control
- Input/Output Isolation 1500VDC
- Over voltage & Over Load Protection

Picture is coming soon

Models Single output



Model	Input Voltage (V)	Output Voltage (Vdc)	Output Current max (mA)	Isolation (VDC)	Max Capacitive Load (uF)	Efficiency (%)
AM10TW-2412S-NZ	9-36	12	833	1500	470	87
AM10TW-2415S-NZ	9-36	15	667	1500	330	87
AM10TW-2424S-NZ	9-36	24	416	1500	100	88
AM10TW-4812S-NZ	18-75	12	833	1500	470	87
AM10TW-4815S-NZ	18-75	15	667	1500	330	87
AM10TW-4824S-NZ	18-75	24	416	1500	100	88

Models Dual output

Model	Input Voltage (V)	Output Voltage (V)	Output Current max (mA)	Isolation (VDC)	Max Capacitive Load(uF)	Efficiency (%)
AM10TW-2405D-NZ	9-36	±5	±1000	1500	1000	85
AM10TW-2412D-NZ	9-36	±12	±416	1500	470	87
AM10TW-2415D-NZ	9-36	±15	±330	1500	330	87
AM10TW-4805D-NZ	18-75	±5	±1000	1500	1000	85
AM10TW-4812D-NZ	18-75	±12	±416	1500	470	88
AM10TW-4815D-NZ	18-75	±15	±330	1500	330	88

NOTE: All specifications in this datasheet are measured at an ambient temperature of 25°C, humidity<75%, nominal input voltage and at rated output load unless otherwise specified.

Input Specifications

Parameters	Nominal	Typical	Maximum	Units
Voltage range	24V input models	9-36		VDC
	48V input models	18-75		
Input Current (full load/no load)	24V, nominal input voltage	502/5	515/12	mA
	48V, nominal input voltage	251/4	258/8	
Input Reflected Ripple Current	24V nominal input voltage	40		mA
	48V nominal input voltage	30		
Filter	π (Pi) Network			
Absolute Maximum Rating	24V input models	-0.7-50		VDC
	48V input models	-0.7-100		
Peak Input Voltage time			1000	ms
Input Under voltage turn off	24V input models	6.5		VDC
	48V input models	15.5		
On/Off control	ON – High (3.0 ... 12Vdc) or open circuit; OFF – Low (0 ... 1.2Vdc) or Short circuit pin1 and pin 2/3 OFF idle current: 6.0 mA typical			

Isolation Specifications

Parameters	Conditions	Typical	Rated	Units
Tested I/O voltage	60 sec, <1mA		1500	VDC
Resistance		>1000		MOhm
Capacitance		2000		pF

Output Specifications

Parameters	Conditions	Typical	Maximum	Units	
Voltage accuracy	5%-100% load	±1	±3	%	
Cross Regulation (Dual Output)	25% load on one output, 100% load on second	±5		%	
Over voltage protection	Zener diode clamp				
Over load protection		140	190	% of FL	
Short Circuit protection	Continuous, hiccup				
Short circuit restart	Auto recovery				
Line voltage regulation	LL-HL, Full load	Positive output	±0.2	±0.5	%
		Negative output	±0.5	±1	
Load voltage regulation	5% Load to Full Load	Positive output	±0.5	±1	%
		Negative output	±0.5	±1.5	
Temperature coefficient		±0.03		%/°C	
Transient recovery time	25% load step change, 110Vin, 2250V Isolation	0.3	0.5	mS	
Transient recovery deviation	25% load step change	±3	±5	%	
Ripple & Noise *	20MHz Bandwidth	40	80	mV p-p	

* Measured with 1µF CC.

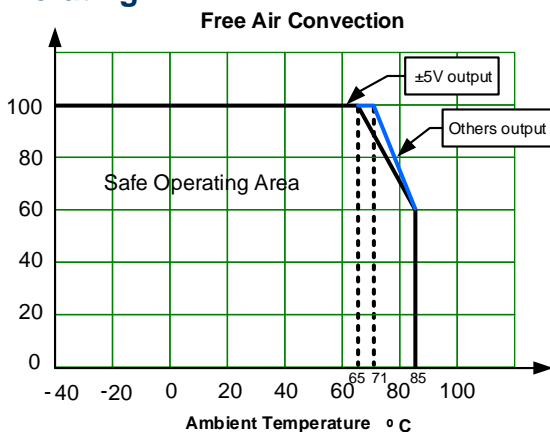
General Specifications

Parameters	Conditions	Typical	Maximum	Units
Switching frequency	100% load	350		KHz
Operating temperature	Full Load with derating above 65°C	-40 to +85		°C
Storage temperature		-55 to +125		°C
Maximum case temperature			105	°C
Cooling	Free air convection			
Humidity			95	% RH
Case material	Aluminum alloy			
Weight		14		g
Dimensions (L x W x H)	1.26 x 0.79 x 0.43 inches 32.00 x 20.00 x 10.8 mm			
MTBF	>1 000 000 hrs (MIL-HDBK -217F, Ground Benign, t=+25°C)			
Manual soldering temperature	1.5mm from case for 10 sec		300	°C

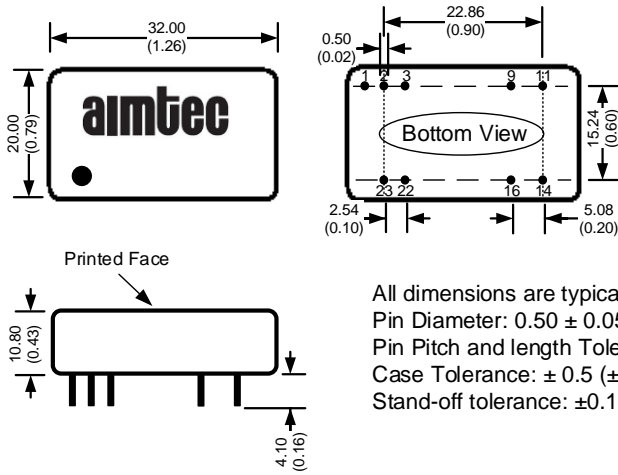
Safety Specifications

Parameters	
Agency approvals	CE, UL pending
Standards	CISPR32 / EN55032 Class A, Class B with recommended circuit
	IEC61000-4-2, Contact ±4kV, Criteria B
	IEC61000-4-3, 10V/m, Criteria A
	IEC61000-4-4, ±2kV with recommended circuit, Criteria B
	IEC61000-4-5, Line to Line ±2KV with recommended circuit, Criteria B
	IEC61000-4-6, 10Vrms, Criteria A
	IEC61000-4-8, 0%-70%, Criteria B

Derating



Dimensions

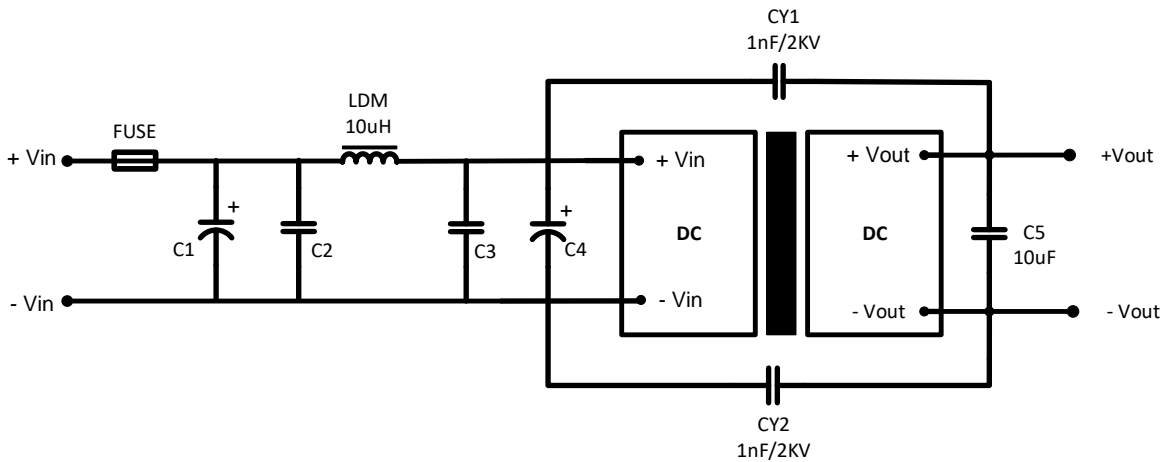


All dimensions are typical: millimeters (inches)
Pin Diameter: 0.50 ± 0.05 (0.02 ± 0.002)
Pin Pitch and length Tolerance: ± 0.35 (± 0.014)
Case Tolerance: ± 0.5 (± 0.02)
Stand-off tolerance: ± 0.1 (± 0.004)

Pin Out Specifications

Pin	Single	Dual
1	Remote On/Off	Remote On/Off
2	-V Input	-V Input
3	-V Input	-V Input
9	No Pin	Common
11	N.C.	-V Output
14	+V Output	+V Output
16	-V Output	Common
22	+V Input	+V Input
23	+V Input	+V Input

EMC Recommended Circuit



Model	24V	48V
FUSE	Choose based on actual current	
C1, C4	330 μ F/50V	330 μ F/100V
C2, C3	10 μ F/50V	10 μ F/100V

NOTE: 1. Datasheets are updated as needed and as such, specifications are subject to change without notice. Once printed or downloaded, datasheets are no longer controlled by Aimtec; refer to www.aimtec.com for the most current product specifications. 2. Product labels shown, including safety agency certifications on labels, may vary based on the date manufactured. 3. Mechanical drawings and specifications are for reference only. 4. All specifications are measured at an ambient temperature of 25°C, humidity < 75%, nominal input voltage and at rated output load unless otherwise specified. 5. Aimtec may not have conducted destructive testing or chemical analysis on all internal components and chemicals at the time of publishing this document. CAS numbers and other limited information are considered proprietary and may not be available for release. 6. This product is not designed for use in critical life support systems, equipment used in hazardous environments, nuclear control systems or other such applications which necessitate specific safety and regulatory standards other than the ones listed in this datasheet. 7. Warranty is in accordance with Aimtec's standard Terms of Sale available at www.aimtec.com.

X-ON Electronics

Largest Supplier of Electrical and Electronic Components

Click to view similar products for [Isolated DC/DC Converters](#) category:

Click to view products by [Aimtec](#) manufacturer:

Other Similar products are found below :

[ESM6D044440C05AAQ](#) [FMD15.24G](#) [PSL486-7LR](#) [PSR152.5-7IR](#) [Q48T30020-NBB0](#) [AVO240-48S12B-6L](#) [AVO250-48S28B-6L](#) [NAN-0505](#) [HW-L16D](#) [JAHW100Y1](#) [217-1617-001](#) [22827](#) [SPB05C-12](#) [SQ24S15033-PS0S](#) [18952](#) [19-130041](#) [CE-1003](#) [CE-1004](#) [GQ2541-7R](#) [PSE1000DCDC-12V](#) [RDS180245](#) [MAU228](#) [419-2065-201](#) [449-2075-101](#) [TME 0303S](#) [TME 0505S](#) [TME 1205S](#) [TME 1212S](#) [TME 2405S](#) [TME 2412S](#) [V300C24C150BG](#) [419-2062-200](#) [419-2063-401](#) [419-2067-101](#) [419-2067-501](#) [419-2068-001](#) [DCG40-5G](#) [DFC15U48D15](#) [449-2067-000](#) [XGS-0512](#) [XGS-1205](#) [XGS-1212](#) [XGS-2412](#) [XGS-2415](#) [XKS-1215](#) [033456](#) [NCT1000N040R050B](#) [SPB05B-15](#) [SPB05C-15](#) [TME 0509S](#)