

USER GUIDE



HIGH QUALITY 4-CHANNELS AMPLIFIER LED / LED RGB



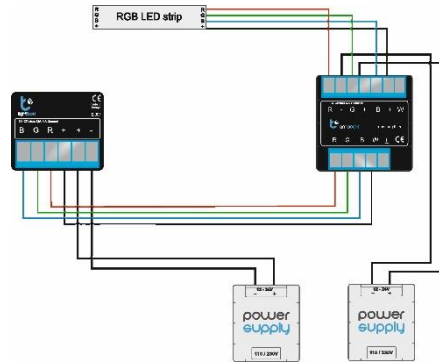
ampbox is a professional, four-channel LED amplifier, designed to work in traditional and smart low-voltage LED systems.

	Important: Before starting the installation, make sure the power is off and you read the following instructions carefully.
	Do not connect the device to loads exceeding recommended values.
	Connect only in accordance with the diagram presented in the manual. Improper connections may be dangerous.
	DANGER! Even when the device is turned off, voltage may be present at its terminals. Any works introducing changes into the configuration of connections or the load must be always performed with disconnected voltage (disable the fuse)

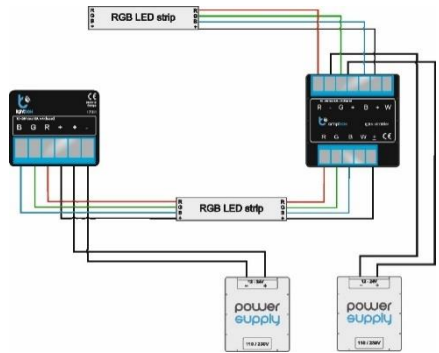
INSTALLATION

1. Make sure that the power supply is disconnected.

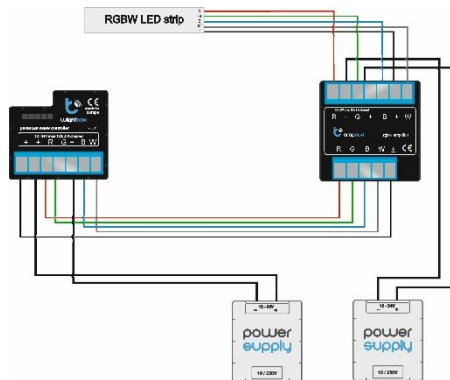
2. Connect the LED strip, the power supply and the ampBox according to the diagram:



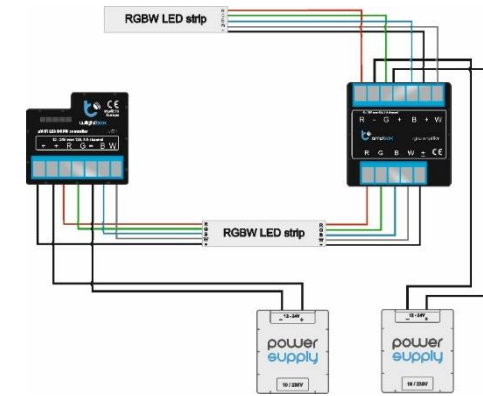
1. ampBox connected with LightBox 3-channel and RGB strip



2. ampBox connected with LightBox 3-channel and RGB LED strip



3. ampBox connected with wLightBox 4-channel and 1 RGBW strip



4. ampBox connected with wLightBox 4-channel and 2 RGBW strip

3. Check the wiring. If everything is properly connected, turn on the power.

TECHNICAL SPECIFICATIONS ampBox			
electrical parameters			
supply voltage	12 – 24V DC	number of channels	4
maximum current	20A	Energy consumption	480W
maximum current/ channel	5A	energy consumption	< 0,1 W
physical characteristics of the device			
dimensions	48 x 40 x 19 mm	degree of protection	IP20
housing	non-flammable resin which dissipates heat	Connction method	Screw terminal block connector
mounting method	in electrical back box, in the lightning fixture housing	operating temperature range	from -10 to + 40°C
input signal	PMW common VCC or GND	output signal	PMW common VCC
galvanic separation	Yes - optical	power IC	internal rectifiers n-type metal oxide semiconductor field effect transistor
correction signal	yes - digital		

More information and technical support contact your dealer Blebox.eu, visit www.blebox.eu or send us an e-mail: info@blebox.eu



Proudly made by:
Blebox sp. z o.o.
Kunickiego 63 Street,
54-616 Wrocław, Poland
www.blebox.eu

X-ON Electronics

Largest Supplier of Electrical and Electronic Components

Click to view similar products for [Power Management IC Development Tools](#) category:

Click to view products by [BLEBOX](#) manufacturer:

Other Similar products are found below :

[EVAL6482H-DISC](#) [EVAL-AD5522EBUZ](#) [EVAL-ADM1060EBZ](#) [EVAL-ADM1073MEBZ](#) [EVAL-ADM1166TQEBZ](#) [EVAL-ADM1168LQEBZ](#) [EVAL-ADM1171EBZ](#) [EVAL-ADM1276EBZ](#) [EVB-EN5319QI](#) [EVB-EN5365QI](#) [EVB-EN6347QI](#) [EVB-EP5348UI](#) [MIC23158YML EV](#) [MIC23451-AAAYFL EV](#) [MIC5281YMME EV](#) [124352-HMC860LP3E](#) [ADM00513](#) [ADM8611-EVALZ](#) [ADM8612-EVALZ](#) [ADM8613-EVALZ](#) [ADP1046ADC1-EVALZ](#) [ADP1055-EVALZ](#) [ADP122-3.3-EVALZ](#) [ADP130-0.8-EVALZ](#) [ADP130-1.2-EVALZ](#) [ADP130-1.5-EVALZ](#) [ADP130-1.8-EVALZ](#) [ADP160UJZ-REDYKIT](#) [ADP166UJ-EVALZ](#) [ADP1712-3.3-EVALZ](#) [ADP1714-3.3-EVALZ](#) [ADP1715-3.3-EVALZ](#) [ADP1716-2.5-EVALZ](#) [ADP1740-1.5-EVALZ](#) [ADP1752-1.5-EVALZ](#) [ADP1754-1.5-EVALZ](#) [ADP1828LC-EVALZ](#) [ADP1870-0.3-EVALZ](#) [ADP1871-0.6-EVALZ](#) [ADP1873-0.6-EVALZ](#) [ADP1874-0.3-EVALZ](#) [ADP1876-EVALZ](#) [ADP1879-1.0-EVALZ](#) [ADP1882-1.0-EVALZ](#) [ADP1883-0.6-EVALZ](#) [ADP197CB-EVALZ](#) [ADP199CB-EVALZ](#) [ADP2102-1.25-EVALZ](#) [ADP2102-1.2-EVALZ](#) [ADP2102-1.875EVALZ](#)