

# Series AMSRL1-78JZ

Up to 12 Watt | DC-DC Switching Regulator

## FEATURES:

- Switching Regulator
- Low Quiescent Current
- Wide Input
- Non-Isolated
- Adjustable Output Voltage
- High MTBF
- SMD Package
- Efficiency Up To 95%
- Remote On/Off
- Short Circuit Protection
- Meet EN 62368 Standard
- RoHS Compliant

Picture Coming Soon

## Models Single output



Model	Input Voltage (V)	Output Voltage (V)	Output Current max (mA)	Efficiency Vin Max (%)	Efficiency Vin Min (%)
AMSRL1-781.5JZ	4.75-32	1.5	1000	66	76
AMSRL1-781.8JZ	4.75-32	1.8	1000	69	79
AMSRL1-782.5JZ	4.75-32	2.5	1000	74	86
AMSRL1-783.3JZ	6.5-36	3.3	1000	80	90
AMSRL1-7805JZ	8-36	5	1000	85	93
AMSRL1-786.5JZ	10-36	6.5	1000	86	93
AMSRL1-7809JZ	13-36	9	1000	90	94
AMSRL1-7812JZ	16-36	12	1000	92	95

NOTE: All specifications in this datasheet are measured at an ambient temperature of 25°C, humidity<75%, nominal input voltage and at rated output load unless otherwise specified.

## Input Specifications

Parameters	Nominal	Typical	Maximum	Units
Voltage range	See Models table above			
On/Off Control	ON –open or 3.2V < Vc < 8V ; OFF –GND or 0V < VC < 0.8V , 200uA			
Quiescent Current	Vin = min to max at 0% load	0.2	1	mA

## Output Specifications

Parameters	Conditions	Typical	Maximum	Units	
Voltage accuracy	At 100% load	1.5/1.8/2.5/3.3V	±2	±4	%
		Others	±2	±3	
Short Circuit protection	Continuous, hiccup mode				
Short circuit restart	Auto-Recovery				
Dynamic load stability	25% load step change	±25	±100	mV	
Transient recovery time	25% load step change	0.2	1	ms	
Line voltage regulation	Vin=(LL-HL) at full load	1.5/1.8/2.5V	±0.3	±0.6	%
		Others	±0.2	±0.4	
Load voltage regulation	10-100% load	1.5/1.8/2.5V	±0.8	±1.5	%
		Others	±0.3	±0.6	
Temperature coefficient	-40°C to +85°C ambient	±0.03		%/°C	
Ripple & Noise	20MHz Bandwidth	30	75	mV p-p	
Voltage adjustment range (Vadj)		±10		%Vout	
Maximum Capacitive Load			680	uF	

NOTE:

\*1. Ripple and noise tested with “parallel cable” method;

\*2. With the load lower than 20%, the maximum ripple will be 150mVp-p.

## General Specifications

Parameters	Conditions	Typical	Maximum	Units
Switching frequency	100% load	1.5/1.8/2.5V	370	KHz
		3.3/5/6.5V	520	
		9/12V	700	
Operating temperature	With derating (see graph below)	-40 to +85		°C
Storage temperature		-55 to +125		°C

Maximum case temperature			100	oC
Cooling	Free Air Convection			
Humidity			95	% RH
Case material	Plastic (UL94-V0)			
Weight	1.7			g
Dimensions (L x W x H)	0.60 x 0.45 x 0.32 Inches		15.24 x 11.40 x 8.25 mm	
MTBF	> 2 000 000 hrs (MIL-HDBK-217F, Ground Benign, t=+25 oC)			
Maximum Soldering Temperature	1.5mm from case for 10 sec		245	oC
Off idle current		0.2	1	mA

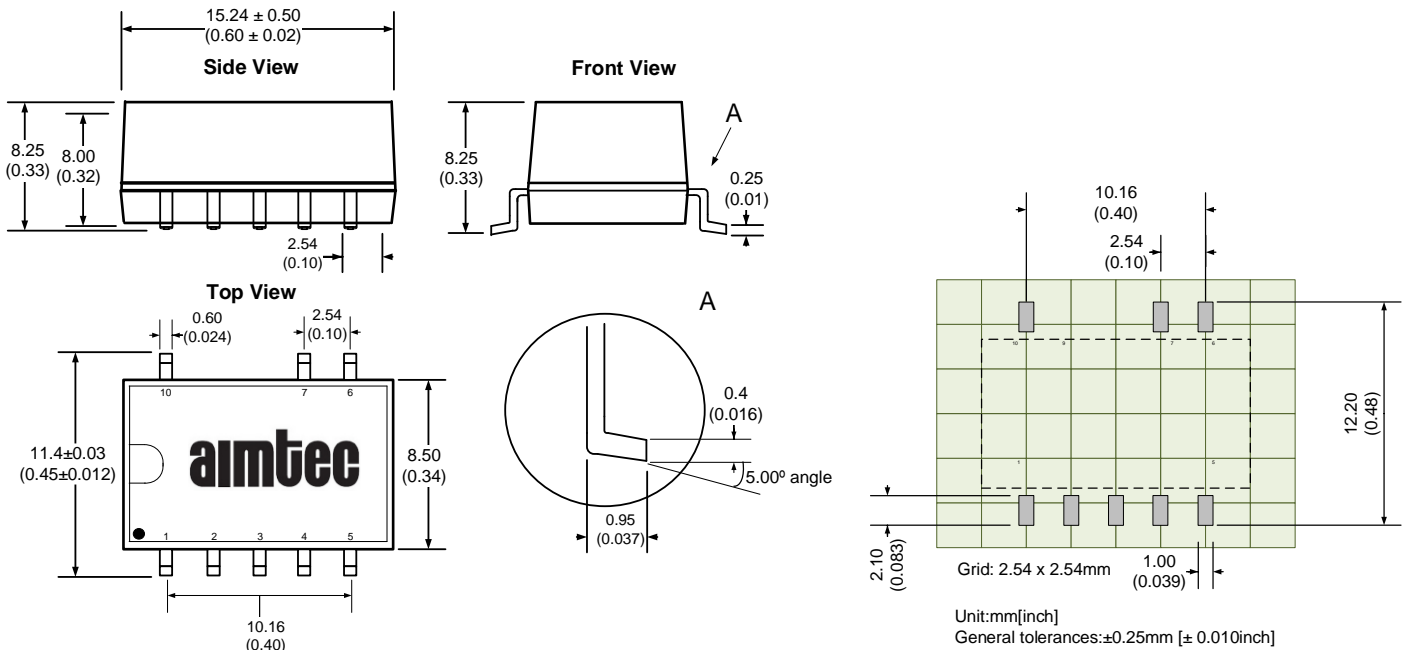
## Safety Specifications

Parameters		
Standards	Information Technology Equipment	Design to meet EN 62368
	EMI - Conducted and radiated emission	CISPR32 / EN55032, class B (with the recommended EMI circuit)
	Electrostatic Discharge Immunity	IEC 61000-4-2, Contact ±4KV, Criteria B
	RF, Electromagnetic Field Immunity	IEC 61000-4-3, 10V/m, Criteria A
	Electrical Fast Transient / Burst Immunity	IEC 61000-4-4, ±1KV, Criteria B, with the recommended EMS circuit
	Surge Immunity	IEC 61000-4-5, L-L ±1KV, Criteria B, with the recommended EMS circuit
	RF, Conducted Disturbance Immunity	IEC 61000-4-6, 3 Vrms, Criteria A

## Pin Out Specifications

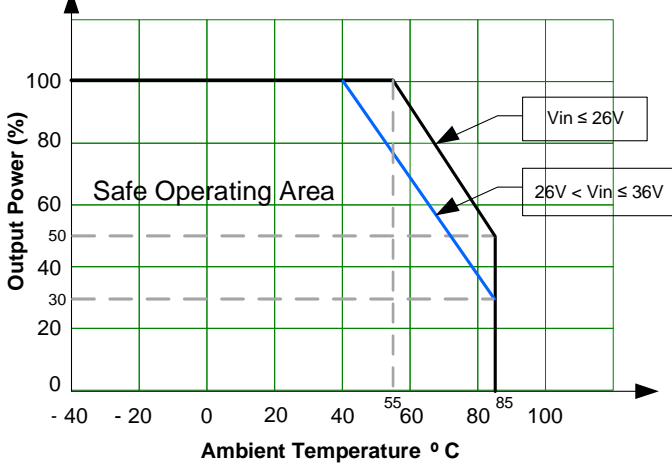
Pin	Single
1	+V input
2	+V input
3	Ground
4	+V output
5	+V output
6	V adj
7	Ground
10	ON/OFF

## Dimensions & PCB Foot Print

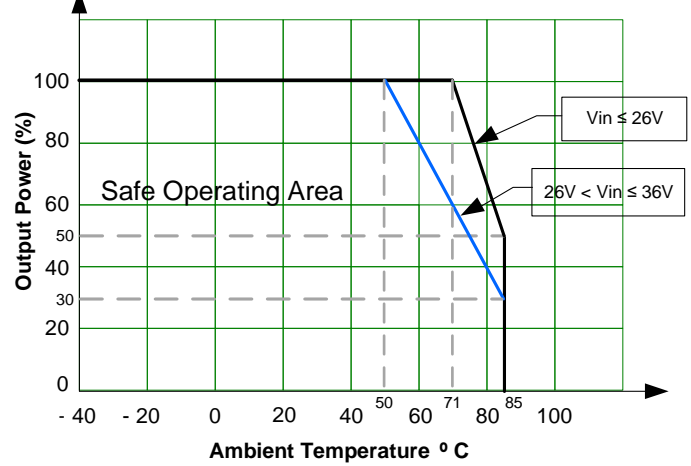


## Derating

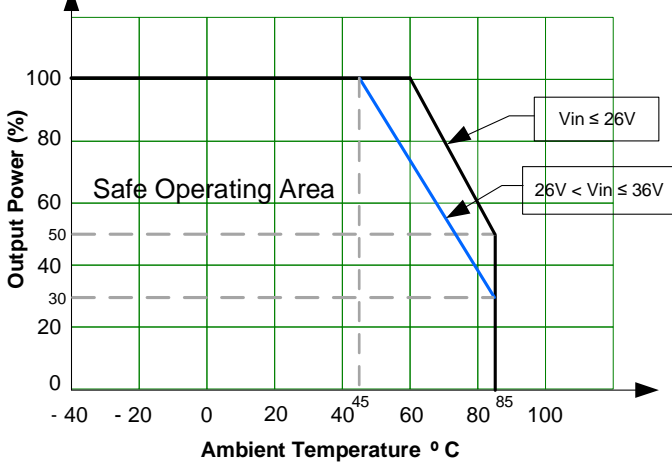
9V Output With Free Air Convection



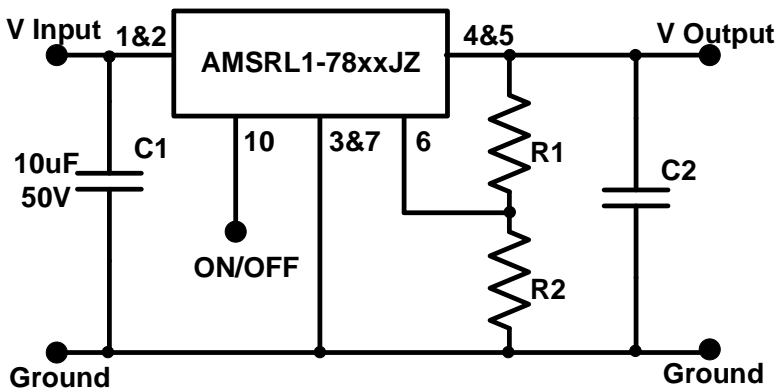
12V Output With Free Air Convection



Others Output With Free Air Convection

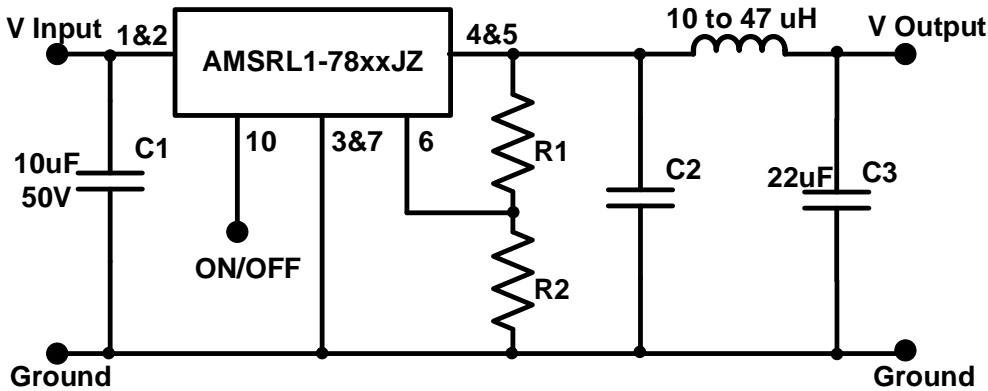


## Application Circuit

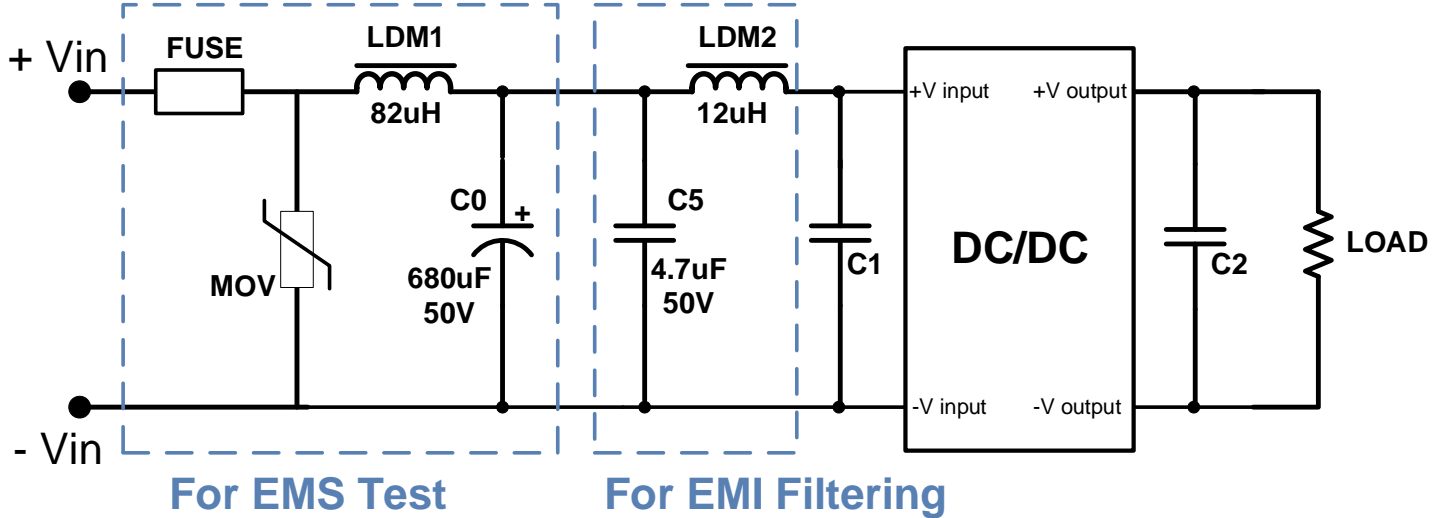


Model	C2 (uF)
1.5/1.8/2.5/3.3V output	22uF / 10V
5/6.5V output	22uF / 16V
9/12/15V output	22uF / 25V

### LC filter Application Circuit



### EMC Recommended Circuits



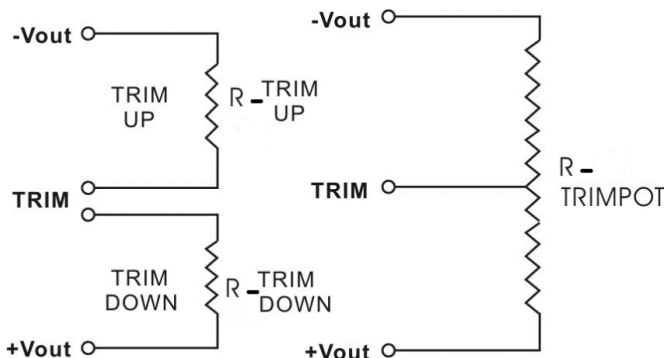
It is recommended that tantalum or low ESR electrolytic capacitors are used for C1 & C2. C1 & C2 are required and should be installed as close to the converter as possible

### Trimming

Output voltage can be externally trimmed by utilizing the methods as shown below

#### Fixed Resistor

#### Variable Potentiometer



Leave open if not used.

Note: For the 1.5VDC output model is only support Vadj up, the Vadj down is unsupported.

AMSRL1-781.5JZ

Trim up %	1	2	3	4	5	6	7	8	9	10
Vout (VDC)	1.515	1.53	1.545	1.56	1.575	1.59	1.605	1.62	1.635	1.65
Rt up (KΩ)	360.00	172.50	110.00	78.75	60.00	47.50	38.57	31.88	26.67	22.50

AMSRL1-781.8-JZ

Trim down %	1	2	3	4	5	6	7	8	9	10
Vout (VDC)	1.782	1.764	1.746	1.728	1.71	1.692	1.674	1.656	1.638	1.62
Rt down (KΩ)	127.26	81.16	58.05	44.17	34.91	28.29	23.32	19.46	16.36	13.83
Trim up %	1	2	3	4	5	6	7	8	9	10
Vout (VDC)	1.82	1.836	1.854	1.872	1.89	1.908	1.926	1.944	1.962	1.98
Rt up (KΩ)	1931.95	191.03	91.61	58.70	42.28	32.45	25.89	21.22	17.71	14.98

AMSRL1-782.5-JZ

Trim down %	1	2	3	4	5	6	7	8	9	10
Vout (VDC)	2.475	2.45	2.425	2.4	2.375	2.35	2.325	2.3	2.275	2.25
Rt down (KΩ)	619.70	301.20	195.03	141.95	110.10	88.87	73.70	62.33	53.48	46.40
Trim up %	1	2	3	4	5	6	7	8	9	10
Vout (VDC)	2.525	2.55	2.575	2.6	2.625	2.65	2.675	2.7	2.725	2.75
Rt up (KΩ)	264.80	128.30	82.80	60.05	46.40	37.30	30.80	25.93	22.13	19.10

AMSRL1-783.3-JZ

Trim down %	1	2	3	4	5	6	7	8	9	10
Vout (VDC)	3.267	3.234	3.201	3.168	3.135	3.102	3.069	3.036	3.003	2.97
Rt down (KΩ)	4665.93	2483.43	1662.18	1231.39	966.07	786.25	656.34	558.08	481.17	419.33
Trim up %	1	2	3	4	5	6	7	8	9	10
Vout (VDC)	3.333	3.366	3.399	3.432	3.465	3.498	3.531	3.564	3.597	3.63
Rt up (KΩ)	2073.44	875.46	535.21	374.35	280.60	219.22	175.91	143.72	118.84	99.05

AMSRL1-7805-JZ

Trim down %	1	2	3	4	5	6	7	8	9	10
Vout (VDC)	4.95	4.9	4.85	4.8	4.75	4.7	4.65	4.6	4.55	4.5
Rt down (KΩ)	1773.00	1156.67	848.50	663.60	540.33	452.29	386.25	334.89	293.80	260.18
Trim up %	1	2	3	4	5	6	7	8	9	10
Vout (VDC)	5.06	5.1	5.15	5.2	5.25	5.3	5.35	5.4	5.45	5.5
Rt up (KΩ)	3192.00	612.00	289.50	182.00	128.25	96.00	74.50	59.14	47.63	38.67

AMSRL1-786.5-JZ

Trim down %	1	2	3	4	5	6	7	8	9	10
Vout (VDC)	6.435	6.37	6.305	6.24	6.175	6.11	6.045	5.98	5.915	5.85
Rt down (KΩ)	3284.64	1717.46	1149.32	855.82	676.58	555.75	468.78	403.18	351.94	310.81
Trim up %	1	2	3	4	5	6	7	8	9	10
Vout (VDC)	6.565	6.63	6.695	6.76	6.825	6.89	6.955	7.02	7.085	7.15
Rt up (KΩ)	553.16	244.37	151.32	106.45	80.03	62.63	50.30	41.10	33.98	28.31

AMSRL1-7809-JZ

Trim down %	1	2	3	4	5	6	7	8	9	10
Vout (VDC)	8.91	8.82	8.73	8.64	8.55	8.46	8.37	8.28	8.19	8.1
Rt down (KΩ)	3190.28	1719.75	1164.39	872.63	692.79	570.83	482.69	416.01	363.80	321.82
Trim up %	1	2	3	4	5	6	7	8	9	10
Vout (VDC)	9.09	9.18	9.27	9.36	9.45	9.54	9.63	9.72	9.81	9.9
Rt up (KΩ)	433.71	178.60	106.60	72.64	52.87	39.93	30.80	24.02	18.78	14.62

AMSRL1-7812-JZ

Trim down %	1	2	3	4	5	6	7	8	9	10
Vout (VDC)	11.88	11.76	11.64	11.52	11.4	11.28	11.16	11.04	10.92	10.8
Rt down (KΩ)	3329.00	1641.50	1079.00	797.75	629.00	516.50	436.14	375.88	329.00	291.50
Trim up %	1	2	3	4	5	6	7	8	9	10
Vout (VDC)	12.12	12.24	12.36	12.48	12.6	12.72	12.84	12.96	13.08	13.2
Rt up (KΩ)	215.00	102.50	65.00	46.25	35.00	27.50	22.14	18.13	15.00	12.50

If it is needed to adjust the output voltage higher or lower than the converter's nominal value use the table above to determine appropriate resistor values, insuring that the voltage is within the adjustment range for the converter used.  
If no voltage adjustment is needed connect a 470pF ceramic capacitor from pin 6 to ground.

**NOTE:** 1. Datasheets are updated as needed and as such, specifications are subject to change without notice. Once printed or downloaded, datasheets are no longer controlled by Aimtec; refer to [www.aimtec.com](http://www.aimtec.com) for the most current product specifications. 2. Product labels shown, including safety agency certifications on labels, may vary based on the date manufactured. 3. Mechanical drawings and specifications are for reference only. 4. All specifications are measured at an ambient temperature of 25°C, humidity<75%, nominal input voltage and at rated output load unless otherwise specified. 5. Aimtec may not have conducted destructive testing or chemical analysis on all internal components and chemicals at the time of publishing this document. CAS numbers and other limited information are considered proprietary and may not be available for release. 6. This product is not designed for use in critical life support systems, equipment used in hazardous environments, nuclear control systems or other such applications which necessitate specific safety and regulatory standards other the ones listed in this datasheet. 7. Warranty is in accordance with Aimtec's standard Terms of Sale available at [www.aimtec.com](http://www.aimtec.com).

## X-ON Electronics

Largest Supplier of Electrical and Electronic Components

*Click to view similar products for [Isolated DC/DC Converters](#) category:*

*Click to view products by [Aimtec](#) manufacturer:*

Other Similar products are found below :

[ESM6D044440C05AAQ](#) [FMD15.24G](#) [PSL486-7LR](#) [PSR152.5-7IR](#) [Q48T30020-NBB0](#) [AVO240-48S12B-6L](#) [AVO250-48S28B-6L](#) [NAN-0505](#) [HW-L16D](#) [JAHW100Y1](#) [217-1617-001](#) [22827](#) [SPB05C-12](#) [SQ24S15033-PS0S](#) [18952](#) [19-130041](#) [CE-1003](#) [CE-1004](#) [GQ2541-7R](#) [PSE1000DCDC-12V](#) [RDS180245](#) [MAU228](#) [419-2065-201](#) [449-2075-101](#) [TME 0303S](#) [TME 0505S](#) [TME 1205S](#) [TME 1212S](#) [TME 2405S](#) [TME 2412S](#) [V300C24C150BG](#) [419-2062-200](#) [419-2063-401](#) [419-2067-101](#) [419-2067-501](#) [419-2068-001](#) [DCG40-5G](#) [DFC15U48D15](#) [449-2067-000](#) [XGS-0512](#) [XGS-1205](#) [XGS-1212](#) [XGS-2412](#) [XGS-2415](#) [XKS-1215](#) [033456](#) [NCT1000N040R050B](#) [SPB05B-15](#) [SPB05C-15](#) [TME 0509S](#)