

**ARCA 304015**



Sample photo

**Order symbol:** ARCA 304015  
**Product nbr:** 8120022  
**Description:** Cabinet, PC  
**Remarks:** 2-point locking

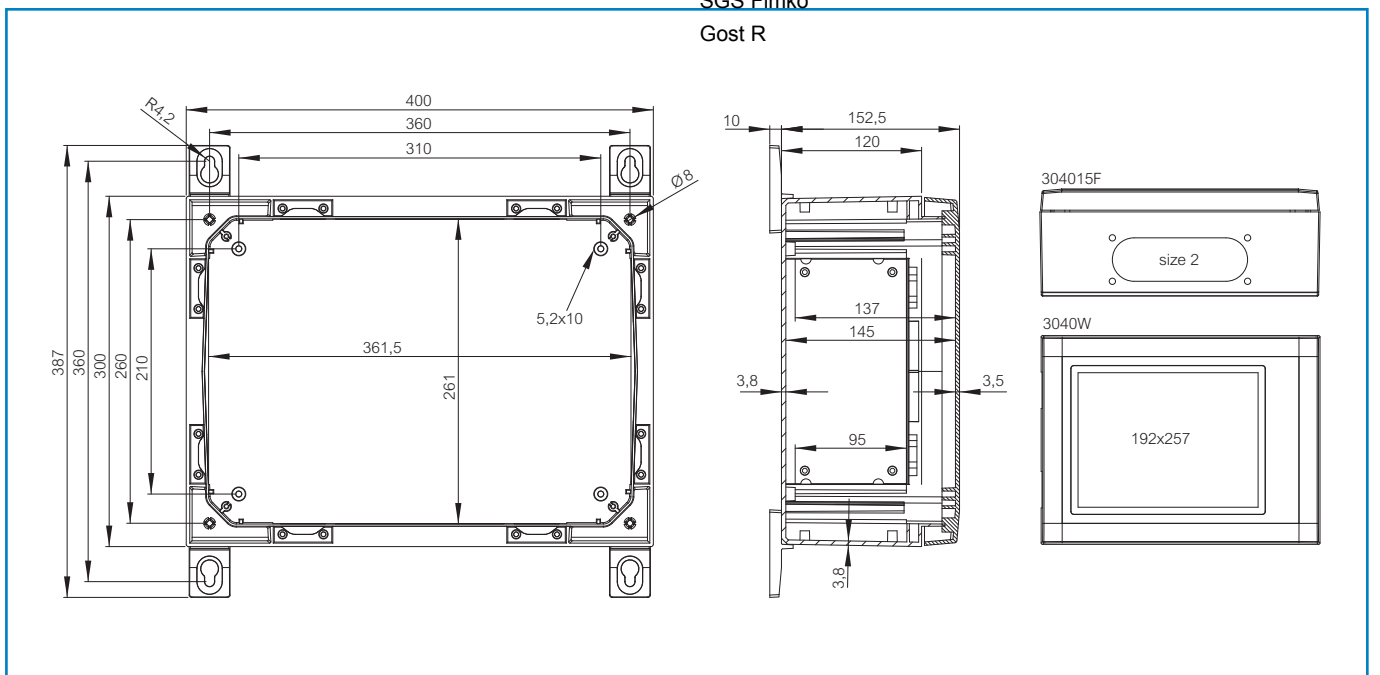
**EAN:** 6418074079336  
**EI. number:**  
 Finland: 3423119  
 Electric No. 8212091207  
 Denmark:  
 Electric No. Sweden: 2500111

Including: Cabinet base, door with PUR gasket, mounting plate, screws for mounting plate. 3mm double bit lock(s) with key. S versions with swinghandle 2-point locking system. F versions with flange opening (including gasket and screws). Door guide included.

Dimensions:				Accessories:	
	Length	Width	Height		
<b>mm:</b>	300	400	150	MPP ARCA 3040	Mounting plate perforated (350x250x2 mm - 26x11 mm)
<b>inch:</b>	11.8	15.7	5.9	MPMP ARCA 4030	Mounting plate multiperforated (350x250x2 mm - □3.6 mm)
Materials:				MPX ARCA 4030	Mounting plate (350x250 mm)
<b>Material:</b>	Polycarbonate			DRS ARCA 304015	DIN rail frame set
<b>Base colour:</b>	RAL 7035 -light grey			IDS ARCA 3040	Inner door set
<b>Cover colour:</b>	RAL 7035 -light grey			PMK ARCA 40	Pole mounting kit
<b>Gasket material:</b>	Polyurethane			RCS ARCA 3040	Rain canopy set
Temperatures:				SBK ARCA 30	Support bar kit
<b>Temperature °C (short term):</b>	-40 ... 120 °C			SBK ARCA 40	Support bar kit
<b>Temperature °C (continuous):</b>	-40 ... 80 °C			DSP ARCA HLS	Door stopper ARCA, horizontal, left, small
<b>Temperature °F (short term):</b>	-40 ... 250 °F			DSP ARCA HRS	Door stopper ARCA, horizontal, right, small
<b>Temperature °F (continuous):</b>	-40 ... 175 °F				
Accessories:					
MPS ARCA 4030	Mounting plate (350x250x2 mm)				

**Rating:**  
 Ingress Protection (EN 60529): IP66  
 Impact Resistance (EN 62262): IK10 +35°C /IK08 -25°C  
 Electrical insulation: Totally insulated  
 Halogen free (DIN/VDE 0472, Part 815): 1  
 UV resistance: UL 508  
 Flammability Rating: UL 94 5VA  
 Glow Wire Test (IEC 695-2-1) °C: 960

**Certificates:**  
 SGS Fimko  
 Gost R



## X-ON Electronics

Largest Supplier of Electrical and Electronic Components

*Click to view similar products for [Mounting Fixings](#) category:*

*Click to view products by [Fibox](#) manufacturer:*

Other Similar products are found below :

[007310](#) [007541](#) [6-141-P](#) [620HA038NF09](#) [620HA038NF11](#) [M81714/60-12-01](#) [71-074914-006](#) [71-146610-6H](#) [712HA170B23128-N](#) [75-69116-8S](#) [75-69211-3P](#) [75-69214-6P](#) [75-69224-28P](#) [75-69224-5S](#) [770-006A109](#) [770-006A109R](#) [770-006A207](#) [770-006A208W1](#) [770-006A209](#) [770-006A306](#) [770-006A703W1](#) [770-006A704](#) [770-006A704W1](#) [770-006A705](#) [770-006A706](#) [770-006A706W1](#) [770-006A707](#) [770-006A709](#) [770-007A203](#) [770-007A203W1](#) [770-007A204W1](#) [770-007A207W1](#) [770-007A703](#) [770-007A704W1](#) [770-007A706](#) [770-007A707W1](#) [770-010Y208](#) [770-010Y308](#) [770-010Y705](#) [770-010Y706](#) [770-010Y707W1](#) [770-011T201](#) [770-011T203](#) [770-011T701W1](#) [770-011T702](#) [770-011T702W1](#) [770-011T703](#) [770-013311](#) [770-013312](#) [770-013709](#)