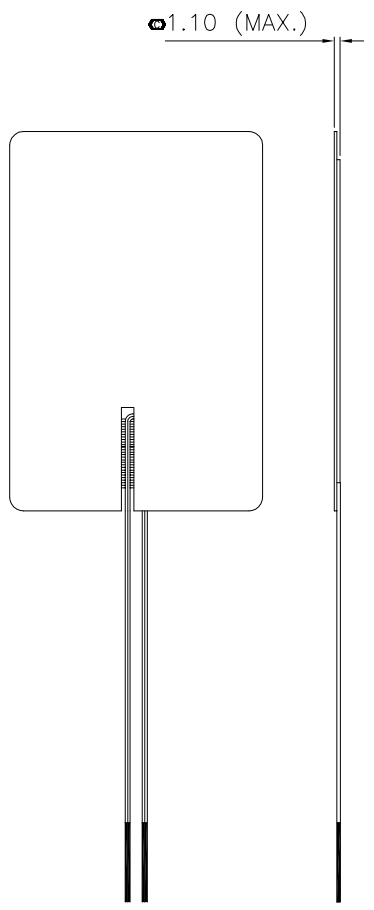
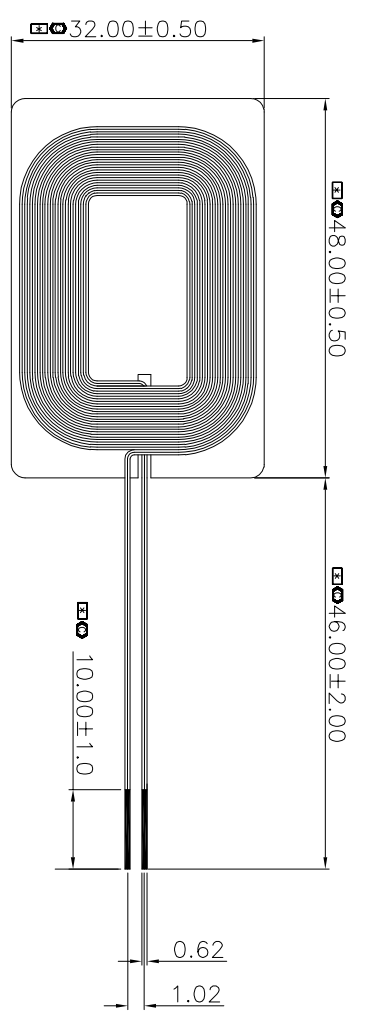


THIS DOCUMENT IS THE PROPERTY OF AMPHENOL CORPORATION AND IS BELONGED ON THE EXPRESS CONDITION THAT IT IS NOT BE DISCLOSED, REPRODUCED OR USED IN WHOLE OR IN PART FOR MANUFACTURE OR SALE BY ANYONE OTHER THAN AMPHENOL CORPORATION WITHOUT ITS PRIOR CONSENT AND THAT NO RIGHT IS GRANTED TO DISCLOSE OR TO USE ANY INFORMATION IN THIS DOCUMENT

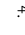
1 2 3 4 5 6

MODE OF DRAWING
MP

| SYM | REVISION | DESCRIPTION | REVISIONS DATE | DONE BY |
|----------------|----------|-------------------|----------------|---------|
| ME RF FA 00 | | DRAWING AS ISSUED | 20/DEC/13 | BART |



NOTES: (UNLESS OTHERWISE SPECIFIED)
DRAWING INTERPRETATION

1. GEOMETRIC DIMENSIONING AND TOLERANCING SYMBOLOLOGY PER ASME Y14.5M-1994.
2. THIS IS A PARTIALLY DIMENSIONED DRAWING. USED IN CONJUNCTION WITH THE 2D DRAWING MODEL. TOLERANCES OF UNSPECIFIED DIMENSIONS ARE +/- 0.15 mm
3. DIMENSIONS INSPECTION (100%) REPORT ON FIRST ARTICLE PER SAAY/Q-11-01 OR CUSTOMER INSPECTION FORMAT
4.  INDICATES A CRITICAL DIMENSION, WHOSE CPK IS NOT MANDATORY FOR MASS PRODUCTION, WHILE IT IS NEEDED WHEN PART APPROVAL CPK VALUE 1.4 AND A MINIMUM CP OF 1.8 FOR THREE LOTS

TOOL DESIGN AND PROCESSING

5. UNBLENDED FILETS AND RADIi MAY BE BLENDED 0.25 mm MAX.
6. FINISHED PART TO BE CLEAN AND FREE OF ALL FOREIGN MATERIAL, DIRT, OIL, GREASE OR OTHER CONTAMINANTS
7. MATERIAL USED MUST MEET FLAMMABILITY RATING OF UL 94 VTM-0
8. UNSPECIFIED TOLERANCE OF COPPER DIMENSION ARE ±0.05 mm
9. MATERIAL USED MUST BE HALOGEN FREE AND MEET ROHS SPECIFICATIONS

| SCHEMATIC DIAGRAM: | | ELECTRICAL CHARACTERISTICS: | | TOLERANCE | | APPROVAL | | DATE | | TITLE | |
|--|--|---|--|---------------|--|----------|--|------|--|----------------------------------|--|
| TEMPERATURE: 25°C, RELATIVE HUMIDITY: 85 ± 20% | | *XX ±0.5 | | DRAWN | | | | | | ASSY, WPC RX | |
| NO. ITEM TERMINAL SPECIFICATION TEST FREQUENCY TEST EQUIPMENTS | | *XX ±0.10 | | DESIGNED | | | | | | TAWAN MOBILE ANTENNA TEAM | |
| 1 IND S-F 11.0uH ± 10% 100MHz / 1.0V LCZ METER 10628 | | *XX ±0.10 | | CHECKED | | | | | | SIZE: A4 SHEET: 1 OF 1 | |
| 2 DCR S-F 300mΩ (Max.) LCZ METER 100 | | UNLESS OTHERWISE SPECIFIED DIMENSIONS ARE IN MM | | ANGULAR ±1.5° | | APPROVED | | | | PROJECT: S050 | |
| | | THIRD ANGLE | | SCALE | | | | | | DRAWING NO. AT5050-13-002-C-RA00 | |

X-ON Electronics

Largest Supplier of Electrical and Electronic Components

Click to view similar products for [Fixed Inductors](#) category:

Click to view products by [Amphenol](#) manufacturer:

Other Similar products are found below :

[MLZ1608M6R8WTD25](#) [MLZ1608N6R8LT000](#) [MLZ1608N3R3LTD25](#) [MLZ1608N3R3LT000](#) [MLZ1608N150LT000](#)

[MLZ1608M150WTD25](#) [MLZ1608M3R3WTD25](#) [MLZ1608M3R3WT000](#) [MLZ1608M150WT000](#) [MLZ1608A1R5WT000](#)

[MLZ1608N1R5LT000](#) [B82432C1333K000](#) [PCMB053T-1R0MS](#) [PCMB053T-1R5MS](#) [PCMB104T-1R5MS](#) [CR32NP-100KC](#) [CR32NP-](#)

[151KC](#) [CR32NP-180KC](#) [CR32NP-181KC](#) [CR32NP-1R5MC](#) [CR32NP-390KC](#) [CR32NP-3R9MC](#) [CR32NP-680KC](#) [CR32NP-820KC](#)

[CR32NP-8R2MC](#) [CR43NP-390KC](#) [CR43NP-560KC](#) [CR43NP-680KC](#) [CR54NP-181KC](#) [CR54NP-470LC](#) [CR54NP-820KC](#) [CR54NP-8R5MC](#)

[MGDQ4-00004-P](#) [MGDU1-00016-P](#) [MHL1ECTTP18NJ](#) [MHL1JCTTD12NJ](#) [PE-51506NL](#) [PE-53601NL](#) [PE-53630NL](#) [PE-53824SNLT](#) [PE-](#)

[62892NL](#) [PE-92100NL](#) [PG0434.801NLT](#) [PG0936.113NLT](#) [PM06-2N7](#) [PM06-39NJ](#) [HC2LP-R47-R](#) [HC2-R47-R](#) [HC3-2R2-R](#) [HC8-1R2-R](#)