



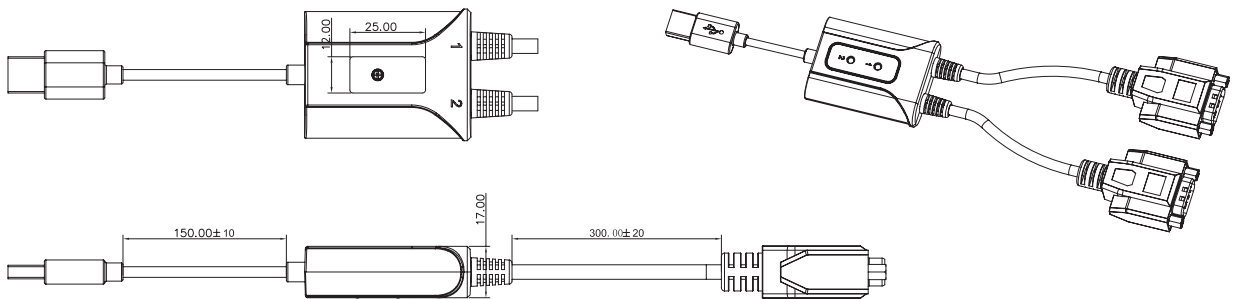
Art No. AU0031

USB2.0 to 2-Port Serial Adapter

The LogiLink USB2.0 to 2-Port Serial Adapter provides two RS-232 Serial (DB9 male) connectors via one standard USB port at a data transfer rate up to 230Kbps. You can instantly enjoy connectivity with modem, PDA, POS or other serial devices on your PC or Mac without the hassle of opening your computer case

Specifications:

- Suitable for devices with euro plug
- Supports USB 2.0 and USB 1.1
- Converts two standard 9-pin serial ports to USB
- Supports various serial devices modems, PDAs, cellular phones, digital cameras, card readers and more
- LED status light for data transfer monitoring
- Supports RS-232 Serial interface
- Up to 230Kbps data transfer rate
- No IRQ resource required
- Bus Powered – no separate power supply or battery required
- Supports Windows XP/Vista/7/8/10 & Mac OS X



* The specifications and pictures are subject to change without notice.
*All trade names referenced are the registered network of their respective owners.

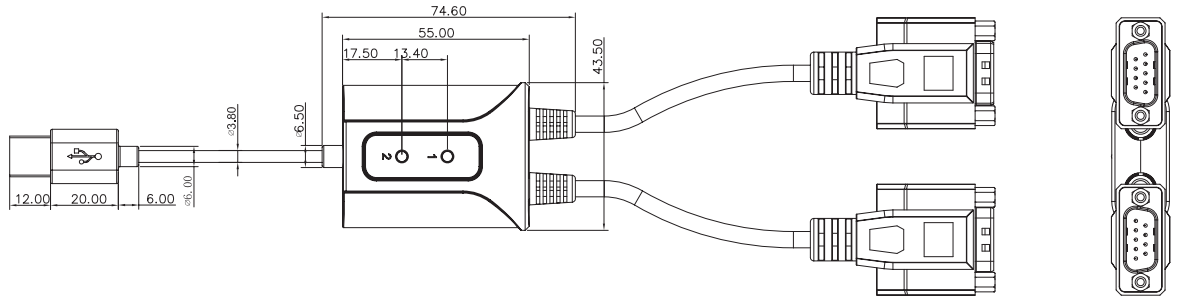


Made in China



Art No. AU0031

USB2.0 to 2-Port Serial Adapter



Package Content:

- 1 x USB2.0 to 2-Port Serial Adapter
- 1 x CD Driver
- 1 x User Manual

Packaging Information:

- Packing Dimension: 201 x 140 x 33mm
- Packing Weight: 0,21kg
- Carton Dimension: 545 x 295 x 225mm
- Carton Q'ty: 30pcs
- Carton Weight: 7,1kg

* The specifications and pictures are subject to change without notice.
*All trade names referenced are the registered network of their respective owners.



Made in China

X-ON Electronics

Largest Supplier of Electrical and Electronic Components

Click to view similar products for [USB Cables / IEEE 1394 Cables category](#):

Click to view products by [Logilink manufacturer](#):

Other Similar products are found below :

[68768-0173](#) [FNY-W6003-01](#) [88764-0800](#) [148700-1](#) [17-200621](#) [17-250051P](#) [954](#) [AC102012-2](#) [IP-USB1\(C10\)S-RW](#) [CABLE/RTP/USB/DT](#)
[RS232-GTD](#) [USBFTVX2SA2N03A](#) [USBFTV2SA2N03A](#) [1689404-1](#) [FTP-629Y401](#) [FTP-628Y402](#) [943301-001](#) [FNY-W6022](#) [FNY-W6003-](#)
[03](#) [1310-1015-05](#) [1310-1018-04](#) [1310-1019-04](#) [UA-30AMFM-SL7B02](#) [UA-30AMFM-SL7B01](#) [UA-30AFM-LD7B03](#) [UA-30AMFM-](#)
[SL7B03](#) [USBAPSCC7202A](#) [UES-1001A160](#) [UES-1003A160](#) [USBFTVX7SA2N20A](#) [USBFTVX2SA2N20A](#) [USBFTV2PEMSA2N10A](#)
[FTP-629Y602](#) [USBCAMCM100](#) [USB A/F*2 to 2.54 2*5P-SH L=400mm](#) [EP-CBUSB10P2FLT](#) [1310-1037-04](#) [ASR-USB](#) [68784-0075](#) [17-](#)
[241361](#) [17-230471](#) [217B-BC02](#) [USB-29](#) [19800-010500-200-RS](#) [USB+MINI DIN 6P WITH BKT](#) [84729-0025](#) [088738-8100](#) [106413-4410](#)
[106413-4405](#) [CP30206NM3B](#)