

B40D-B500D

Silicon Bridge Rectifiers



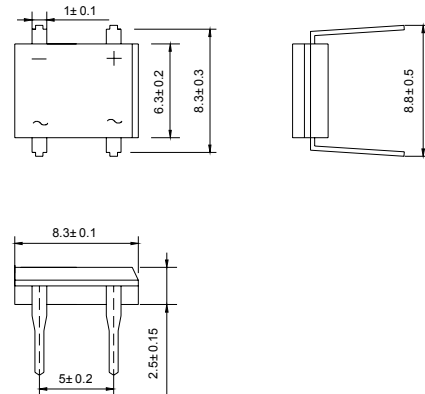
VOLTAGE RANGE: 80 --- 1000 V

CURRENT: 1.0 A

Features

- ◇ Rating to 1000V PRV
- ◇ Surge overload rating to 40 Amperes peak
- ◇ Ideal for printed circuit board
- ◇ Reliable low cost construction utilizing molded plastic technique results in inexpensive product
- ◇ Solderable per MIL-STD-202 method 208
- ◇ Glass passivated chip junctions
- ◇ Plastic material has UL flammability classification 94V-O
- ◇ Polarity symbols molded on body
- ◇ Weight: 0.016 ounces, 0.45 grams

DB - 1



Dimensions in millimeters

MAXIMUM RATINGS AND ELECTRICAL CHARACTERISTICS

Ratings at 25 °C ambient temperature unless otherwise specified.

Single phase, half wave, 60 Hz, resistive or inductive load. For capacitive load, derate by 20%.

		B40D	B80D	B125D	B250D	B380D	B500D	UNITS
Maximum recurrent peak reverse voltage	V_{RRM}	80	160	250	600	800	1000	V
Maximum RMS voltage	V_{RMS}	56	112	175	420	560	700	V
Maximum DC blocking voltage	V_{DC}	80	160	250	600	800	1000	V
Maximum average forward Output current @ $T_A=25^{\circ}C$	$I_{F(AV)}$	1.0						A
Peak forward surge current 10ms single half-sine-wave superimposed on rated load	I_{FSM}	40						A
Maximum instantaneous forward voltage at 1.0 A	V_F	1.1						V
Maximum reverse current @ $T_J=25^{\circ}C$ at rated DC blocking voltage @ $T_J=125^{\circ}C$	I_R	10.0 0.5						μA mA
Operating junction temperature range	T_J	- 55 ---- + 150						$^{\circ}C$
Storage temperature range	T_{STG}	- 55 ---- + 150						$^{\circ}C$

Thermal Characteristics

Typical thermal resistance per leg (Note1)	$R_{\theta JA}$	66	$^{\circ}C/W$
	$R_{\theta JC}$	28	
	$R_{\theta JL}$	27	
Operating junction temperature range	T_J	- 55 ---- + 150	$^{\circ}C$
Storage temperature range	T_{STG}	- 55 ---- + 150	$^{\circ}C$

Note 1: Device mounted on PCB with 10 mm x 20 mm x 0.1mm copper pad areas

B40D-B500D

Silicon Bridge Rectifiers

Ratings AND Characteristic Curves

FIG.1 – PEAK FORWARD SURGE CURRENT

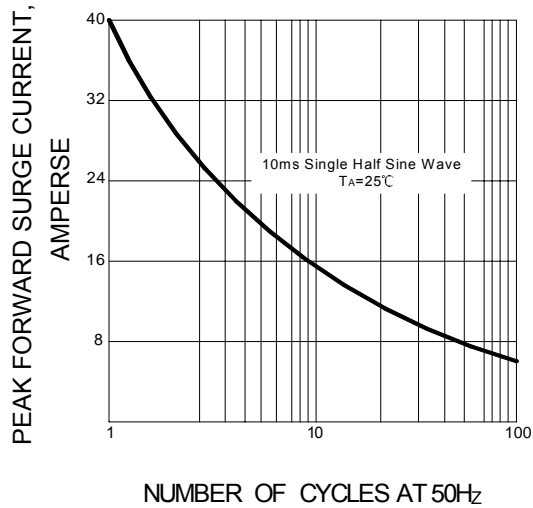


FIG.2 – FORWARD DERATING CURVE

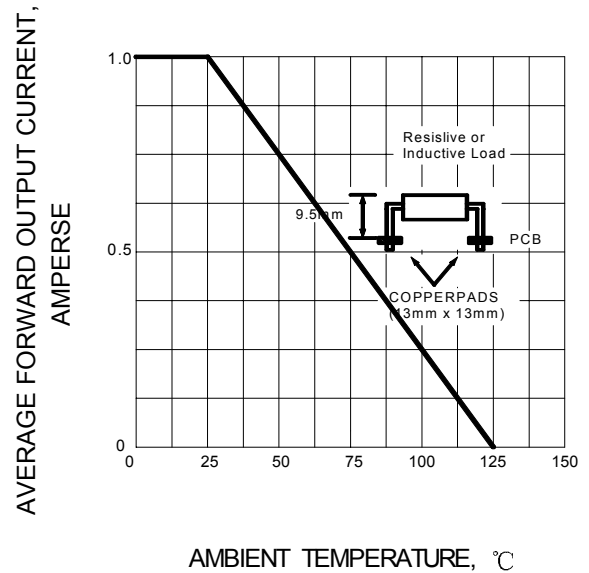


FIG.3 – TYPICAL FORWARD CHARACTERISTIC

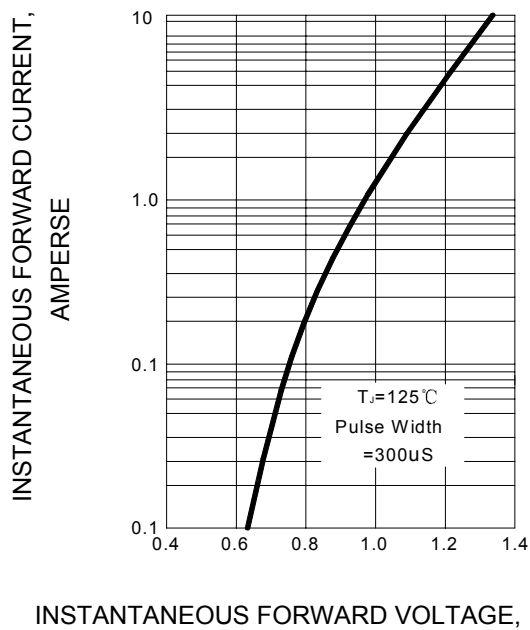
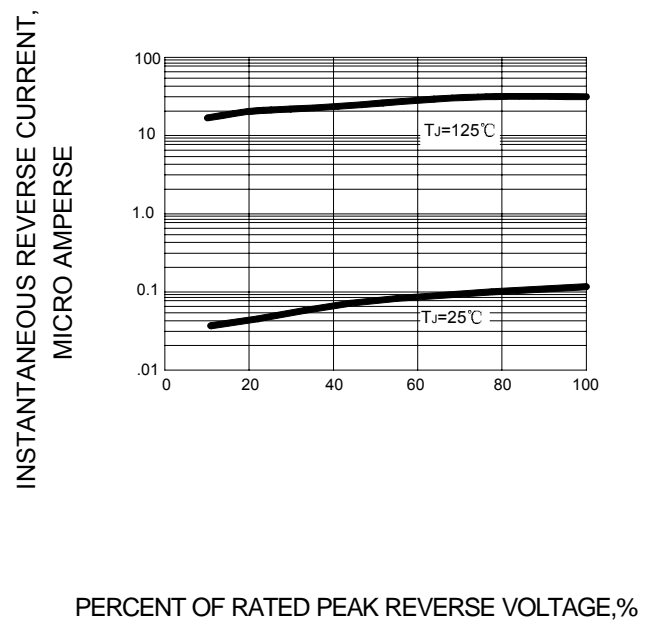


FIG.4 – TYPICAL REVERSE CHARACTERISTIC



X-ON Electronics

Largest Supplier of Electrical and Electronic Components

Click to view similar products for [Bridge Rectifiers](#) category:

Click to view products by [Luguang](#) manufacturer:

Other Similar products are found below :

[G3SBA60-E351](#) [GBJ1504-BP](#) [GBU10B-BP](#) [GBU15J-BP](#) [GBU15K-BP](#) [GBU4A-BP](#) [GBU4D-BP](#) [GBU6B-E3/45](#) [GSIB680-E3/45](#) [DB101-BP](#) [DF10SA-E345](#) [RMB2S](#) [RCG](#) [APT30DF100HJ](#) [APT60DF20HJ](#) [B2S-E3/80](#) [BU1506-E351](#) [BU15085S-E345](#) [BU1508-E3/45](#) [BU1510-E3/45](#) [RS404GL-BP](#) [RS405GL-BP](#) [G3SBA20-E3/51](#) [G5SBA20-E3/51](#) [G5SBA60-E3/51](#) [GBJ1502-BP](#) [GBL02-E351](#) [GBL10-E3/45](#) [GBU10J-BP](#) [GBU4J-BP](#) [GBU4K-BP](#) [GBU8B-E3/45](#) [GBU8D-BP](#) [GBU8J-BP](#) [GSIB1520-E3/45](#) [MB1510](#) [MB352W](#) [MB6M-G](#) [B2M-E345](#) [B40C7000A](#) [B500C7000A](#) [MP5010W-BP](#) [MP501W-BP](#) [MP502-BP](#) [BR1005-BP](#) [BR101-BP](#) [BU1006-E345](#) [BU12065S-E3/45](#) [BU1508-E3/51](#) [BU2006-E3/45](#) [BU2008-E345](#)