

B40S-B500S

Glass Passivated Silicon Bridge Rectifiers

VOLTAGE RANGE: 80 -- 1000 V

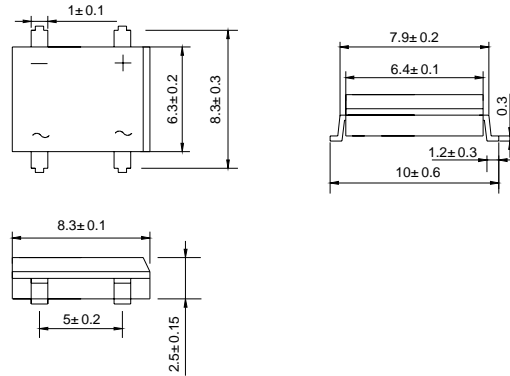
CURRENT: 0.8 A



DBS

Features

- ◇ Rating to 1000 V
- ◇ Low forward voltage drop
- ◇ Small size, plastic case
- ◇ Glass passivated junction
- ◇ Weight: 0.016 ounces, 0.45grams
- ◇ Mounting position: Any



Dimensions in millimeters

MAXIMUM RATINGS AND ELECTRICAL CHARACTERISTICS

Ratings at 25°C ambient temperature unless otherwise specified.

Single phase, half wave, 60 Hz, resistive or inductive load. For capacitive load, derate current by 20%.

		B40S	B80S	B125S	B250S	B380S	B500S	UNITS
Maximum alternating input voltage	V_{VRMS}	50	110	170	420	560	700	V
Repetitive peak reverse voltage	V_{RRM}	80	160	250	600	800	1000	V
Maximum average forward rectified output current @T _c = 50°C	$I_{(AV)}$	0.8						A
Peak forward surge current 8.3ms single half-sine-wave	I_{FSM}	40						A
Maximum forward voltage drop per element at 0.4 A	V_F	1.1						V
Maximum reverse current at rated DC blocking voltage per element	I_R	@T _A =25°C						μ A
		@T _A =125°C						mA
Thermal resistance junction to ambient air	$R_{\theta JA}$	60						K/W
Operating temperature range	T_j	- 55 --- + 150						°C
Storage temperature range	T_{STG}	- 55 --- + 150						°C

B40S-B500S

Glass Passivated Silicon Bridge Rectifiers

Ratings AND Characteristic Curves

FIG.1 – FORWARD DERATING CURVE

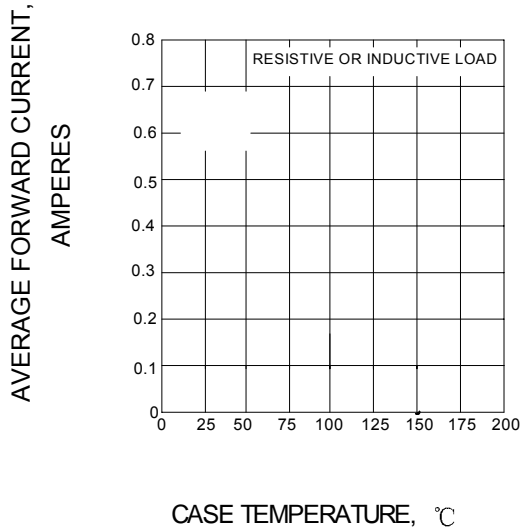


FIG.2 – PEAK FORWARD SURGE CURRENT

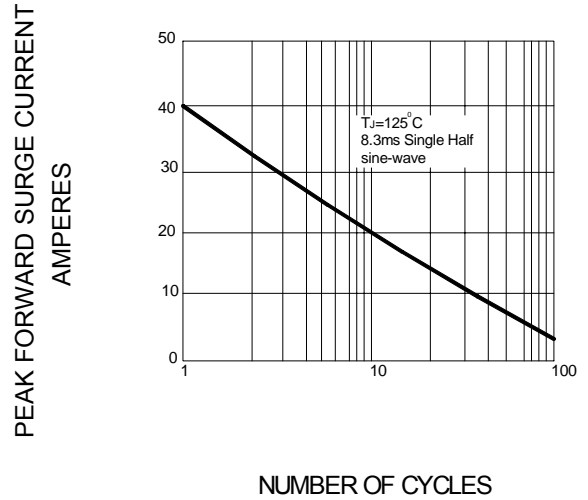


FIG.3 – TYPICAL FORWARD CHARACTERISTICS

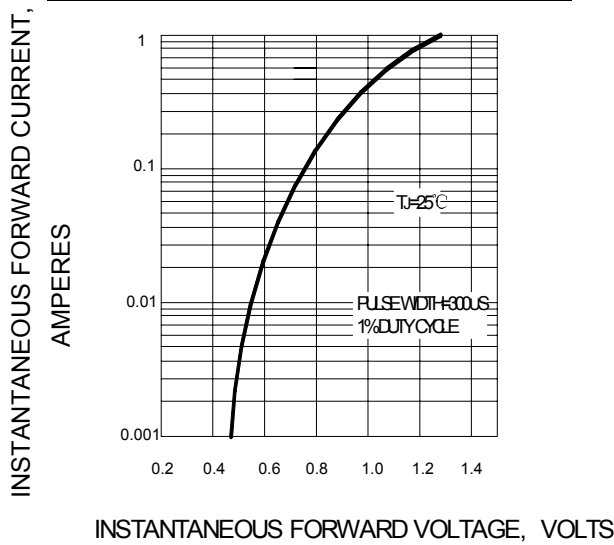


FIG.4 – TYPICAL REVERSE CHARACTERISTIC

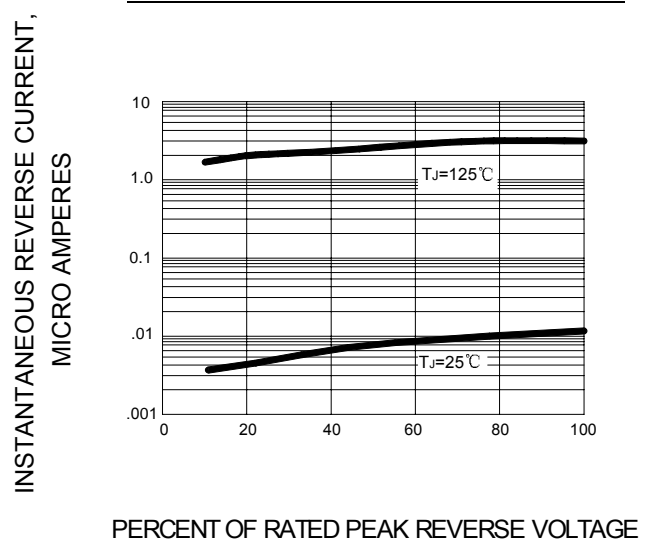
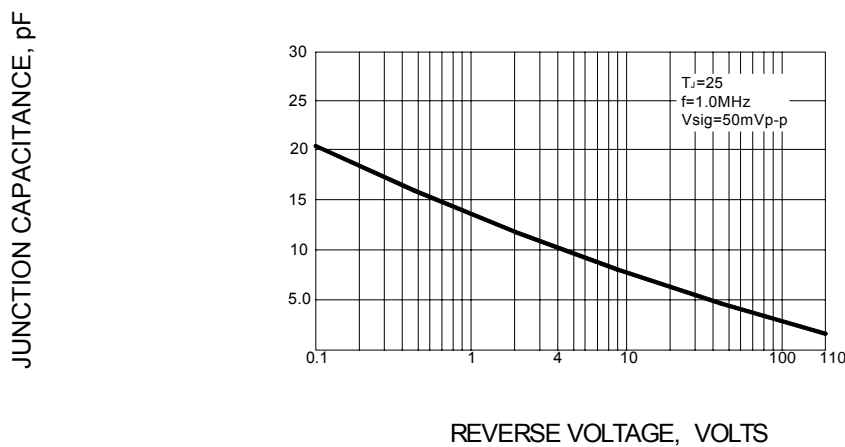


FIG.5 – TYPICAL JUNCTION CAPACITANCE PER ELEMENT



X-ON Electronics

Largest Supplier of Electrical and Electronic Components

Click to view similar products for [Bridge Rectifiers](#) category:

Click to view products by [Luguang](#) manufacturer:

Other Similar products are found below :

[G3SBA60-E351](#) [GBJ1504-BP](#) [GBU10B-BP](#) [GBU15J-BP](#) [GBU15K-BP](#) [GBU4A-BP](#) [GBU4D-BP](#) [GBU6B-E3/45](#) [GSIB680-E3/45](#) [DB101-BP](#) [DF10SA-E345](#) [RMB2S](#) [RCG](#) [APT30DF100HJ](#) [APT60DF20HJ](#) [B2S-E3/80](#) [BU1506-E351](#) [BU15085S-E345](#) [BU1508-E3/45](#) [BU1510-E3/45](#) [RS404GL-BP](#) [RS405GL-BP](#) [G3SBA20-E3/51](#) [G5SBA20-E3/51](#) [G5SBA60-E3/51](#) [GBJ1502-BP](#) [GBL02-E351](#) [GBL10-E3/45](#) [GBU10J-BP](#) [GBU4J-BP](#) [GBU4K-BP](#) [GBU8B-E3/45](#) [GBU8D-BP](#) [GBU8J-BP](#) [GSIB1520-E3/45](#) [MB1510](#) [MB352W](#) [MB6M-G](#) [B2M-E345](#) [B40C7000A](#) [B500C7000A](#) [MP5010W-BP](#) [MP501W-BP](#) [MP502-BP](#) [BR1005-BP](#) [BR101-BP](#) [BU1006-E345](#) [BU12065S-E3/45](#) [BU1508-E3/51](#) [BU2006-E3/45](#) [BU2008-E345](#)