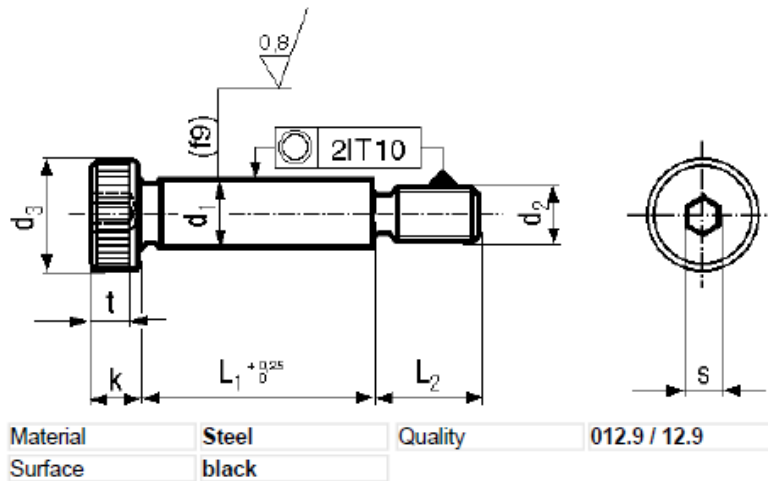


## BN 1359

Hexagon socket head shoulder screws

ISO 7379



### Article No. - 1081993

d <sub>1</sub>	8
d <sub>1</sub> min.	7,951
d <sub>1</sub> max.	7,987
d <sub>2</sub>	M6
L <sub>1</sub>	12
L <sub>2</sub>	11
d <sub>3</sub>	13
k max.	5,5
t min.	3,3
s	4

#### Limited use:

Property class 012.9/12.9 serves only for reducing the wear of the ground fit shaft. When tightening the nuts, the torques must be kept small owing to the thin transition between thread and shaft.

If the screw is tightened against a head bearing surface, the same applies. If the fit shaft makes contact, the tightening torque may have to be even further reduced owing to the smaller bearing surface. Practical preliminary tests are advisable.

Norm-Ø 6; 12; 24 not according to ISO 7379.

## X-ON Electronics

Largest Supplier of Electrical and Electronic Components

*Click to view similar products for [Screws & Fasteners](#) category:*

*Click to view products by [Bossard](#) manufacturer:*

Other Similar products are found below :

[5721-1440-1/4-SS](#) [593503FX](#) [0098.0094](#) [0098.9206](#) [0098.9219](#) [0098.9221](#) [0098.9262](#) [596-2114-013](#) [59781-4](#) [59781-6](#) [0098.0026](#)  
[0098.9210](#) [0098.9212](#) [60227-01](#) [60227-04](#) [60227-08](#) [60228-09](#) [618-00001](#) [62153-03](#) [62153-11](#) [M316-KSSTMCZ100](#) [M3440-SS](#) [M3442-SS](#) [M3448-SS](#) [6291A](#) [6292-1](#) [6-306105-9](#) [6-306131-4](#) [690432-1](#) [699161-000](#) [700989](#) [7-18023-1](#) [7-21002-8](#) [7230-3](#) [7235-3](#) [7248-1](#) [7248-2](#)  
[73542-02](#) [CAPTIVE SHORT THUMBSCREW](#) [745564-1](#) [748174-2](#) [F03-02](#) [SUS316](#) [F1209](#) [751-00001](#) [80011](#) [809704-1](#) [8700](#) [8860220](#)  
[9047](#) [95000002B](#) [9885-2](#)