

THIS DOCUMENT IS SUBJECT TO CHANGE WITHOUT NOTICE. IT IS CONFIDENTIAL AND A PROPERTY OF LTW. DISCLOSURE TO THIRD PARTY HAS TO BE AUTHORIZED BY LTW.

8	DATE	2008/10/30
7	DATE	2008/10/30
6	DATE	2008/10/30

8	DESCRIPTION	Add Note and Update Drawing to New Format
7	SIGN	
6	DATE	2008/09/17
5	ECON NO.	LEN-8B0351
4	REV.	B

8 7 6 5 4 3 2 1



8	DATE	2008/09/17
7	SIGN	Shin
6	DATE	2008/09/17
5	ECON NO.	LEN-8B0351
4	REV.	B

8 7 6 5 4 3 2 1

8	DATE	2008/10/30
7	DATE	2008/10/30
6	DATE	2008/10/30

8	DESCRIPTION	Add Note and Update Drawing to New Format
7	SIGN	
6	DATE	2008/09/17
5	ECON NO.	LEN-8B0351
4	REV.	B

8 7 6 5 4 3 2 1

8	DATE	2008/10/30
7	DATE	2008/10/30
6	DATE	2008/10/30

8	DESCRIPTION	Add Note and Update Drawing to New Format
7	SIGN	
6	DATE	2008/09/17
5	ECON NO.	LEN-8B0351
4	REV.	B

8 7 6 5 4 3 2 1

8	DATE	2008/10/30
7	DATE	2008/10/30
6	DATE	2008/10/30

8	DESCRIPTION	Add Note and Update Drawing to New Format
7	SIGN	
6	DATE	2008/09/17
5	ECON NO.	LEN-8B0351
4	REV.	B

8 7 6 5 4 3 2 1

8	DATE	2008/10/30
7	DATE	2008/10/30
6	DATE	2008/10/30

8	DESCRIPTION	Add Note and Update Drawing to New Format
7	SIGN	
6	DATE	2008/09/17
5	ECON NO.	LEN-8B0351
4	REV.	B

8 7 6 5 4 3 2 1

8	DATE	2008/10/30
7	DATE	2008/10/30
6	DATE	2008/10/30

8	DESCRIPTION	Add Note and Update Drawing to New Format
7	SIGN	
6	DATE	2008/09/17
5	ECON NO.	LEN-8B0351
4	REV.	B

8 7 6 5 4 3 2 1

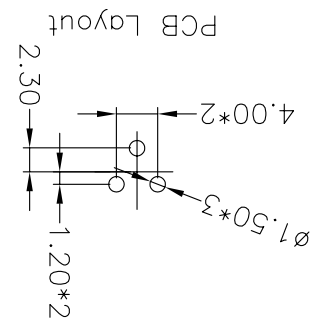
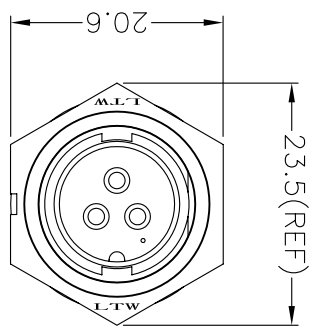
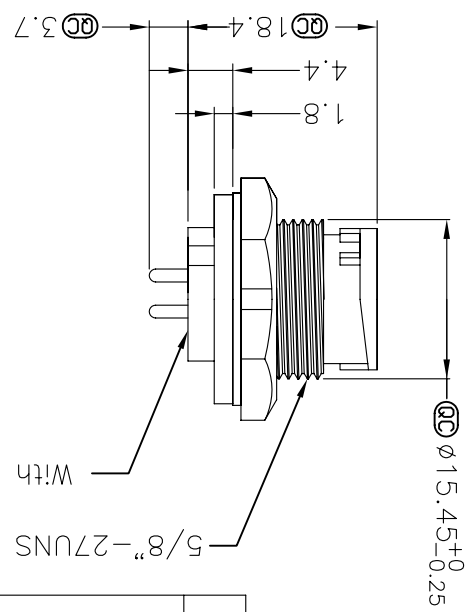
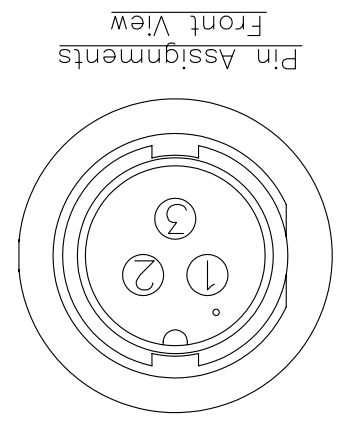
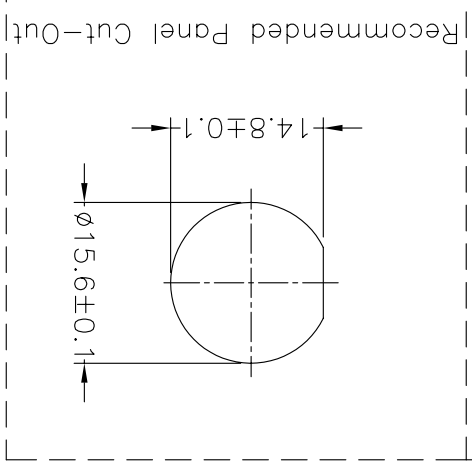
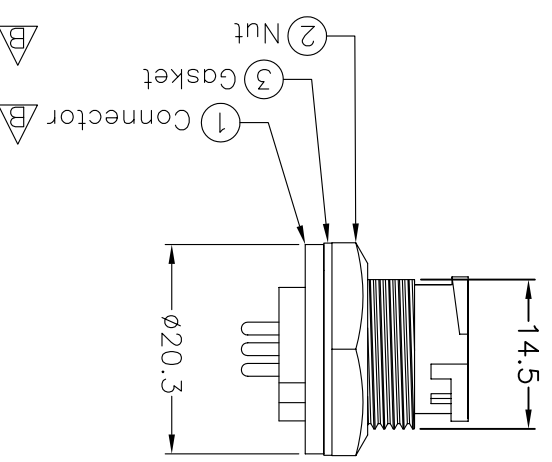
亮泰企業股份有限公司

LTW

REV.	B	SIZE	A4	SCALE	Free	SHEET	1 OF 1	TITLE	Standard,Panel Lock 3Pin M Conn M Pin
------	---	------	----	-------	------	-------	--------	-------	---------------------------------------

UNIT:mm	±0.25	±0.1	±0.05	±.001	ANGLES	.XX	.XX	.XX
---------	-------	------	-------	-------	--------	-----	-----	-----

- Note: @Important Dimension To Check.
- * Waterproof Rate: IP67
 - * Housing: Black, Nylon+GF
 - * Male Pin: Copper Alloy, Gold Plated
 - * Nut: Black, Nylon+GF
 - * Gasket: Black, EPDM
 - * Use with Waterproof Cap or Dustcap
 - * Panel Thickness Max: 3.0mm
 - * Use without Waterproof Cap or Dustcap
 - * Panel Thickness Max: 4.5mm



X-ON Electronics

Largest Supplier of Electrical and Electronic Components

Click to view similar products for [Unspecified Connectors](#) category:

Click to view products by [Amphenol](#) manufacturer:

Other Similar products are found below :

[1-21107-1](#) [RAD-OUT-8D-REL](#) [RF-17S1N8A80DU](#) [2-21053-5](#) [PSC-28-1](#) [38111](#) [403000A10M050](#) [1-1589688-1](#) [QUINT-PS/1AC/48DC/10](#)
[99 9113 02 05](#) [578302](#) [578286](#) [130623](#) [186316](#) [153253](#) [186328](#) [153276](#) [153341](#) [153322](#) [153354](#) [193951](#) [130642](#) [1713941](#) [HC-DD72-I-](#)
[CT-F](#) [VC-AR1/2M-S88-SET](#) [RC-5AS2000](#) [RC-Z2068](#) [VC-TR5/6M](#) [RAD-900-CONF-RF1](#) [RAD-CON-SMA-N-SS](#) [RAD-ISM-900-ANT-](#)
[OMNI-0-6](#) [RAD-PIG-EF316-N-RSMA](#) [KST-POF](#) [RIF-0-RPT-12DC/21](#) [RIF-1-BPT/2X21](#) [RIF-1-RPT-LV-120AC/2X21AU](#) [RIF-RH-1](#) [PV-](#)
[FT-C2F-HSG](#) [HC-EVO-B06-HHFS-2B-PL-BK](#) [99 0210 00 04](#) [801377](#) [803579](#) [710-00007](#) [122.005-6](#) [122.012-10](#) [122.018-10](#) [122.038-6](#)
[125.038-8](#) [135.016](#) [136.0804](#)