

THIS DOCUMENT IS SUBJECT TO CHANGE WITHOUT NOTICE. IT IS CONFIDENTIAL AND A PROPERTY OF LTW. DISCLOSURE TO THIRD PARTY HAS TO BE AUTHORIZED BY LTW.

8 FMW10702-01-01A1

DATE	2010/10/14	APPROVED BY	Can
DATE	2010/10/14	CHECKED BY	Sunny
DATE	2010/10/14	DRAWN BY	Li Xiu Zhi

REV.	ECN NO.	DATE	SIGN	DESCRIPTION
C	LEN-010062	2010/10/14	Li Xiu Zhi	Change 6.5 to 6.6
B	LEN-8B0352	2008/09/17	Shin	Add Note and Update Drawing to New Format

ITEM NO	LTWBB-03PMMS-LC7001	CUSTOMER	亮泰企業股份有限公司
DWG NO	LTWBB-03PMMS-LC7001		

1	2	3	4	5	6	7	8
---	---	---	---	---	---	---	---

LTW
亮泰企業股份有限公司

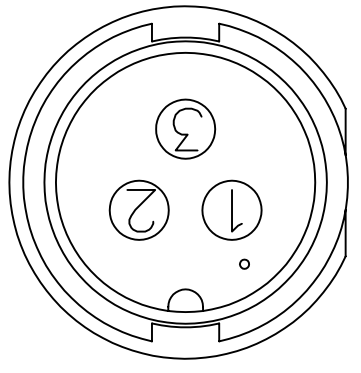
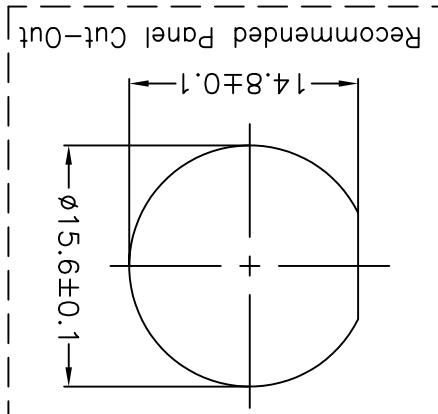
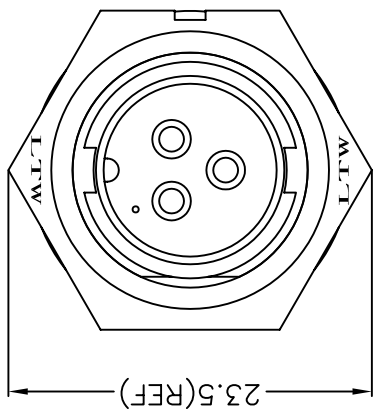
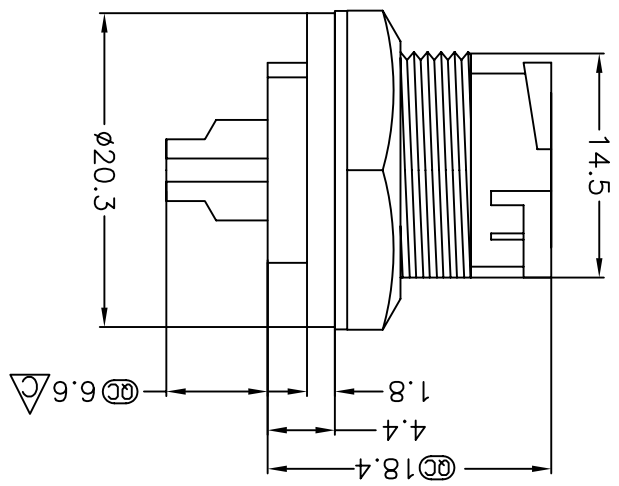
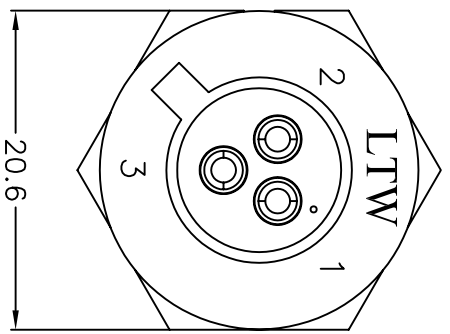
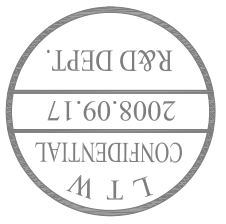
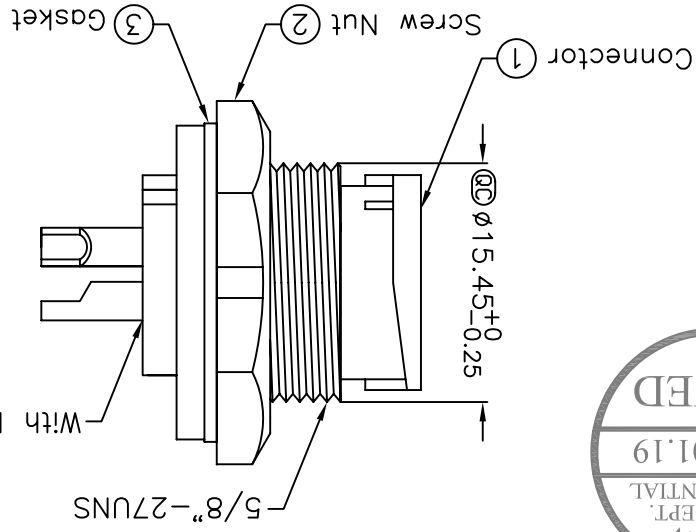
REV.	C	SIZE	A4
SCALE	Free	SHEET	1 OF 1

TITLE	Standard
	Panel Lock 3Pin M Conn. M Pin
	①: Inspection Item

UNIT:mm	±0.25
TOLERANCE	±0.1
ANGLES	±1.1

1	2	3	4	5	6	7	8
---	---	---	---	---	---	---	---

- Note:
- * Important Dimension To Check.
 - * Waterproof Rate: IP67
 - * Housing:Nylon+GF, Black
 - * Male Pin: Copper Alloy, Gold Plated
 - * Screw Nut:Nylon+GF, Black
 - * Gasket:EPDM, Black
 - * Use with Waterproof Cap or Dustcap
 - * Use without Waterproof Cap or Dustcap
 - * Panel Thickness Max: 3.0mm
 - * Panel Thickness Max: 4.5mm



X-ON Electronics

Largest Supplier of Electrical and Electronic Components

Click to view similar products for [Unspecified Connectors](#) category:

Click to view products by [Amphenol](#) manufacturer:

Other Similar products are found below :

[1-21107-1](#) [RAD-OUT-8D-REL](#) [RF-17S1N8A80DU](#) [2-21053-5](#) [PSC-28-1](#) [38111](#) [403000A10M050](#) [1-1589688-1](#) [QUINT-PS/1AC/48DC/10](#)
[99 9113 02 05](#) [578302](#) [578286](#) [130623](#) [186316](#) [153253](#) [186328](#) [153276](#) [153341](#) [153322](#) [153354](#) [193951](#) [130642](#) [1713941](#) [HC-DD72-I-](#)
[CT-F](#) [VC-AR1/2M-S88-SET](#) [RC-5AS2000](#) [RC-Z2068](#) [VC-TR5/6M](#) [RAD-900-CONF-RF1](#) [RAD-CON-SMA-N-SS](#) [RAD-ISM-900-ANT-](#)
[OMNI-0-6](#) [RAD-PIG-EF316-N-RSMA](#) [KST-POF](#) [RIF-0-RPT-12DC/21](#) [RIF-1-BPT/2X21](#) [RIF-1-RPT-LV-120AC/2X21AU](#) [RIF-RH-1](#) [PV-](#)
[FT-C2F-HSG](#) [HC-EVO-B06-HHFS-2B-PL-BK](#) [99 0210 00 04](#) [801377](#) [803579](#) [710-00007](#) [122.005-6](#) [122.012-10](#) [122.018-10](#) [122.038-6](#)
[125.038-8](#) [135.016](#) [136.0804](#)