

DATE	2008/10/30	DRAWN BY	Ivan	ITEM NO	LTWBD-04PMP-LC7001
DATE	2008/10/30	CHECKED BY	Tommy	DWG NO	LTWBD-04PMP-LC7001
DATE	2008/10/30	APPROVED BY	Luke	CUSTOMER	亮泰企業股份有限公司

REV	B	ECN NO	LEN-8B0375	DATE	2008/09/17	SIGN	Shin
DESCRIPTION	Add Note						

THIS DOCUMENT IS SUBJECT TO CHANGE WITHOUT NOTICE. IT IS CONFIDENTIAL AND A PROPERTY OF LTW. DISCLOSURE TO THIRD PARTY HAS TO BE AUTHORIZED BY LTW.

8 QP02C-01-01A2

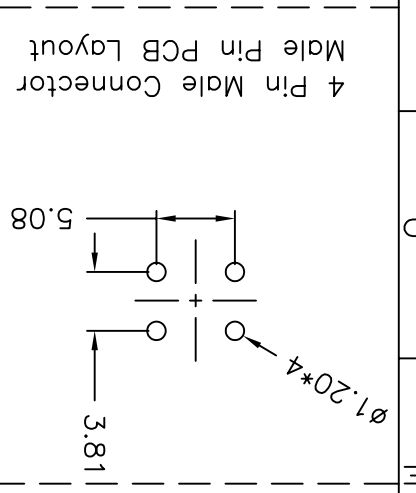
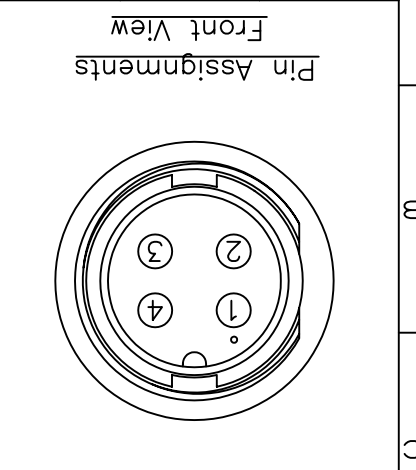
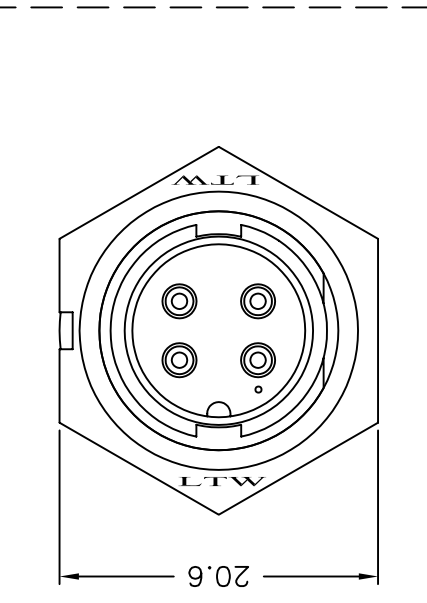
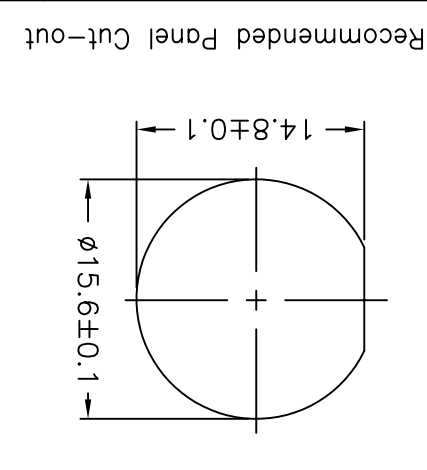
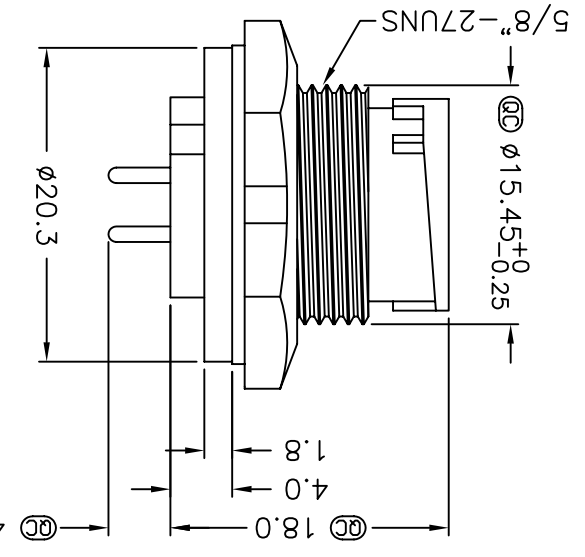
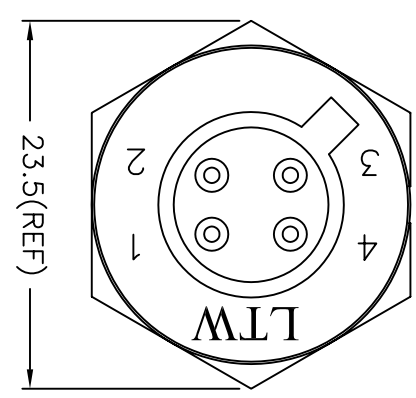
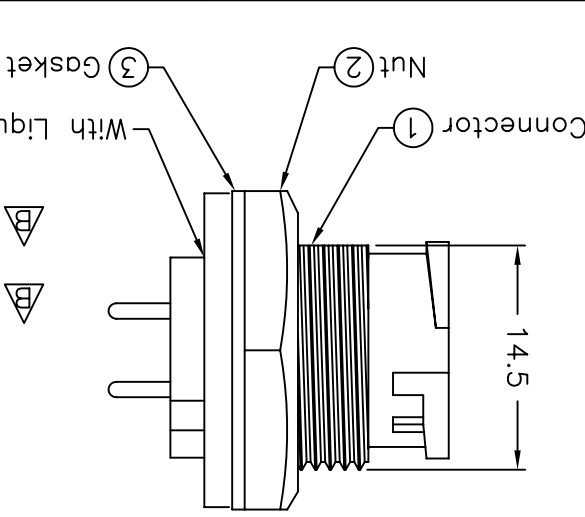
1	UNIT:mm	TOLERANCE	X ±0.25 XX ±0.1 XXX ±0.05 F1
2	TITLE	SCALE	Free
3	REV. B	SIZE A4	QC : inspection Item

LTW

Standard  
Panel Lock 4Pin M Conn M Pin

1	Pin Assignments	Front View
2	Recommended Panel Cut-out	
3	4 Pin Male Connector	Male Pin PCB Layout

Note:  
 \* @Important Dimension To Check.  
 \* Waterproof Rate: IP67  
 \* Housing: Black, Nylon+GF  
 \* Pin: Copper Alloy, Gold Plated  
 \* Nut: Black, Nylon+GF  
 \* Gasket: Black, EPDM  
 \* Use With Waterproof Cap Or Dust Cap  
 \* Panel Thickness Max: 3.0mm  
 \* Use Without Waterproof Cap Or Dust Cap  
 \* Panel Thickness Max: 4.5mm



LTW  
DCC, DEPT.  
CONFIDENTIAL  
2008.11.17  
ISSUED

LTW  
CONFIDENTIAL  
2008.09.17  
R&D DEPT.

## X-ON Electronics

Largest Supplier of Electrical and Electronic Components

*Click to view similar products for [Unspecified Connectors](#) category:*

*Click to view products by [Amphenol](#) manufacturer:*

Other Similar products are found below :

[1-21107-1](#) [RAD-OUT-8D-REL](#) [RF-17S1N8A80DU](#) [2-21053-5](#) [PSC-28-1](#) [38111](#) [403000A10M050](#) [1-1589688-1](#) [QUINT-PS/1AC/48DC/10](#)  
[99 9113 02 05](#) [578302](#) [578286](#) [130623](#) [186316](#) [153253](#) [186328](#) [153276](#) [153341](#) [153322](#) [153354](#) [193951](#) [130642](#) [1713941](#) [HC-DD72-I-](#)  
[CT-F](#) [VC-AR1/2M-S88-SET](#) [RC-5AS2000](#) [RC-Z2068](#) [VC-TR5/6M](#) [RAD-900-CONF-RF1](#) [RAD-CON-SMA-N-SS](#) [RAD-ISM-900-ANT-](#)  
[OMNI-0-6](#) [RAD-PIG-EF316-N-RSMA](#) [KST-POF](#) [RIF-0-RPT-12DC/21](#) [RIF-1-BPT/2X21](#) [RIF-1-RPT-LV-120AC/2X21AU](#) [RIF-RH-1](#) [PV-](#)  
[FT-C2F-HSG](#) [HC-EVO-B06-HHFS-2B-PL-BK](#) [99 0210 00 04](#) [801377](#) [803579](#) [710-00007](#) [122.005-6](#) [122.012-10](#) [122.018-10](#) [122.038-6](#)  
[125.038-8](#) [135.016](#) [136.0804](#)