

THIS DOCUMENT IS SUBJECT TO CHANGE WITHOUT NOTICE. IT IS CONFIDENTIAL AND A PROPERTY OF L.T.W. DISCLOSURE TO THIRD PARTY HAS TO BE AUTHORIZED BY L.T.W.

REV.	ECN NO.	DATE	SIGN	DESCRIPTION
D	LEN-930920	2009/03/10	Jiang Jun Hua	Change Tolerance
C	LE3-8C0041	2008/11/07	TOMMY	Change To Pin Hole
B		2008/09/19	Shin	Add Note

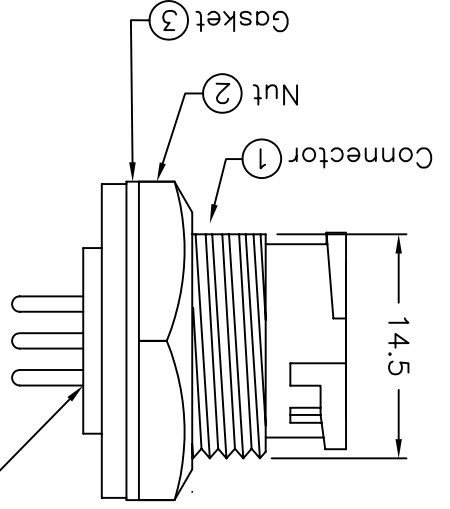


ITEM NO	DRAWN BY	DATE
LTWBD-06PMFP-LC7001	Jiang Jun Hua	2009/03/10
DWG NO	CHECKED BY	DATE
LTWBD-06PMFP-LC7001	Sunny	2009/03/10
CUSTOMER	APPROVED BY	DATE
亮泰企業股份有限公司	Bin	2009/03/12

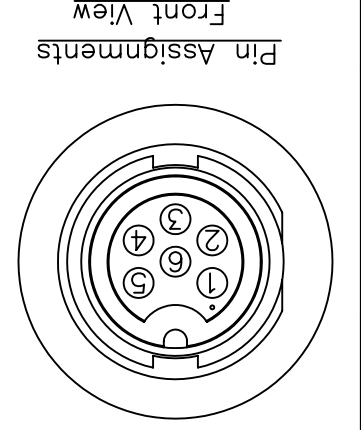
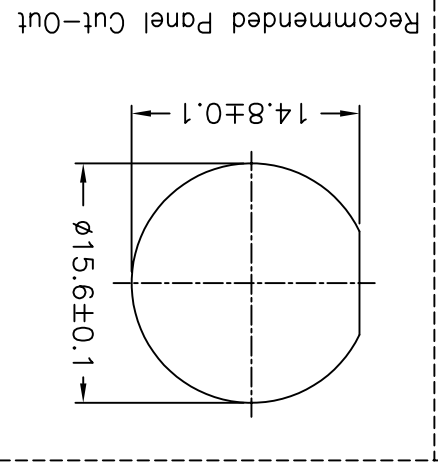
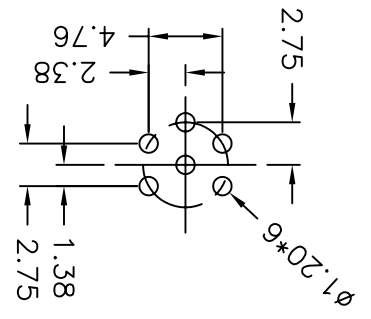
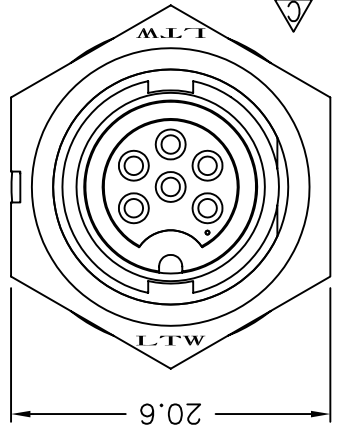
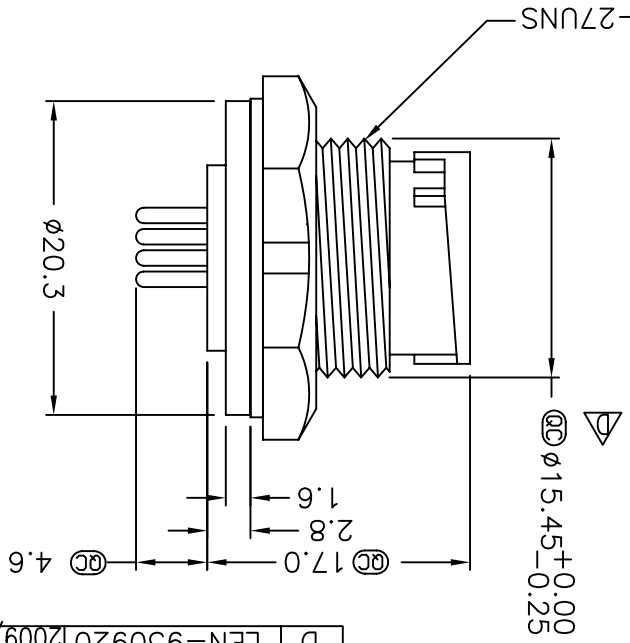
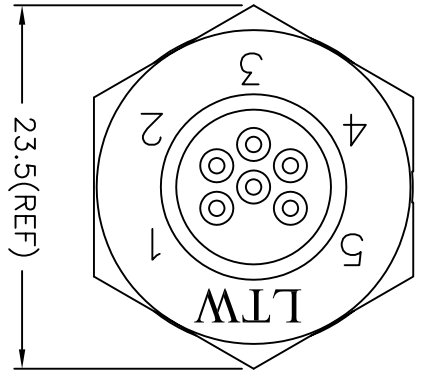
**LTW**  
亮泰企業股份有限公司

TITLE	SCALE	REV.	SIZE	ANGLE
Standard Panel Lock 6Pin M Conn F Pin	Free	D	A4	±0.25 ±0.1 ±0.05 ±1
SHEET 1 OF 1				

- Note:
- \* Important Dimension To Check.
  - \* Waterproof Rate: IP67
  - \* Housing: Black, Nylon+GF
  - \* Pin: Copper Alloy, Gold Plated
  - \* Nut: Nylon+GF
  - \* Gasket: Black, EPDM
  - \* Use with waterproof cap or dust cap
  - \* Use without waterproof cap or dust cap



With Liquid Glue



6 Pin Male Connector  
Female Pin PCB Layout

8 7 6 5 4 3 2 1

8

## X-ON Electronics

Largest Supplier of Electrical and Electronic Components

*Click to view similar products for [Unspecified Connectors](#) category:*

*Click to view products by [Amphenol](#) manufacturer:*

Other Similar products are found below :

[1-21107-1](#) [RAD-OUT-8D-REL](#) [RF-17S1N8A80DU](#) [2-21053-5](#) [PSC-28-1](#) [38111](#) [403000A10M050](#) [1-1589688-1](#) [QUINT-PS/1AC/48DC/10](#)  
[99 9113 02 05](#) [578302](#) [578286](#) [130623](#) [186316](#) [153253](#) [186328](#) [153276](#) [153341](#) [153322](#) [153354](#) [193951](#) [130642](#) [1713941](#) [HC-DD72-I-](#)  
[CT-F](#) [VC-AR1/2M-S88-SET](#) [RC-5AS2000](#) [RC-Z2068](#) [VC-TR5/6M](#) [RAD-900-CONF-RF1](#) [RAD-CON-SMA-N-SS](#) [RAD-ISM-900-ANT-](#)  
[OMNI-0-6](#) [RAD-PIG-EF316-N-RSMA](#) [KST-POF](#) [RIF-0-RPT-12DC/21](#) [RIF-1-BPT/2X21](#) [RIF-1-RPT-LV-120AC/2X21AU](#) [RIF-RH-1](#) [PV-](#)  
[FT-C2F-HSG](#) [HC-EVO-B06-HHFS-2B-PL-BK](#) [99 0210 00 04](#) [801377](#) [803579](#) [710-00007](#) [122.005-6](#) [122.012-10](#) [122.018-10](#) [122.038-6](#)  
[125.038-8](#) [135.016](#) [136.0804](#)