

THIS DOCUMENT IS SUBJECT TO CHANGE WITHOUT NOTICE. IT IS CONFIDENTIAL AND A PROPERTY OF LTW. DISCLOSURE TO THIRD PARTY HAS TO BE AUTHORIZED BY LTW.

8 QP02C-01-01A2

DATE	2008/11/24	DRAWN BY	LI Xiu Zhi	ITEM NO	LTWBD-07PMMS-LC7001
DATE	2008/11/24	CHECKED BY	Sunny	DWG NO	LTWBD-07PMMS-LC7001
DATE	2008/11/24	APPROVED BY	Win	CUSTOMER	亮泰企業股份有限公司

REV.	ECN NO.	DATE	SIGN	DESCRIPTION
B		2007/04/24	J.Espiritu	Change Precision Of Dimension 18.00 To 18.0, 4.00 To 4.0, 1.80 To 1.8 And Apply New Format
C	LEN-8B0397	2008/09/17	Shin	Add Note
D	LEN-8C0140	2008/11/24	LI Xiu Zhi	Change 2.5 To 1.5

UNIT:mm	TOLERANCE	SCALE	REV.	SIZE	REV.
±.25	±0.1 ±0.05 ±.1	Free	D	A4	Panel Lock 7Pin M Conn M Pin

REV.	SIZE	SCALE	REV.	SIZE	REV.
1	A4	Free	D	A4	Panel Lock 7Pin M Conn M Pin

REV.	SIZE	SCALE	REV.	SIZE	REV.
D	A4	Free	D	A4	Panel Lock 7Pin M Conn M Pin

REV.	SIZE	SCALE	REV.	SIZE	REV.
D	A4	Free	D	A4	Panel Lock 7Pin M Conn M Pin

REV.	SIZE	SCALE	REV.	SIZE	REV.
D	A4	Free	D	A4	Panel Lock 7Pin M Conn M Pin

REV.	SIZE	SCALE	REV.	SIZE	REV.
D	A4	Free	D	A4	Panel Lock 7Pin M Conn M Pin

REV.	SIZE	SCALE	REV.	SIZE	REV.
D	A4	Free	D	A4	Panel Lock 7Pin M Conn M Pin

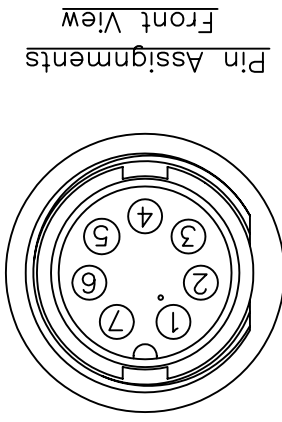
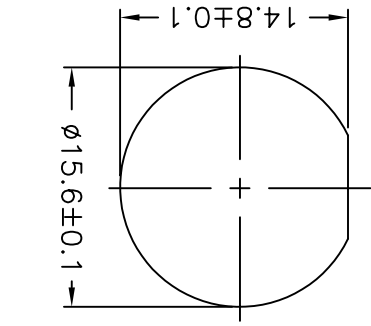
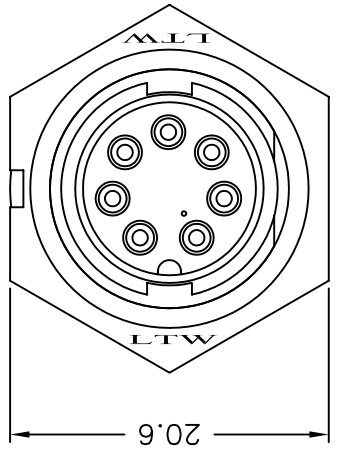
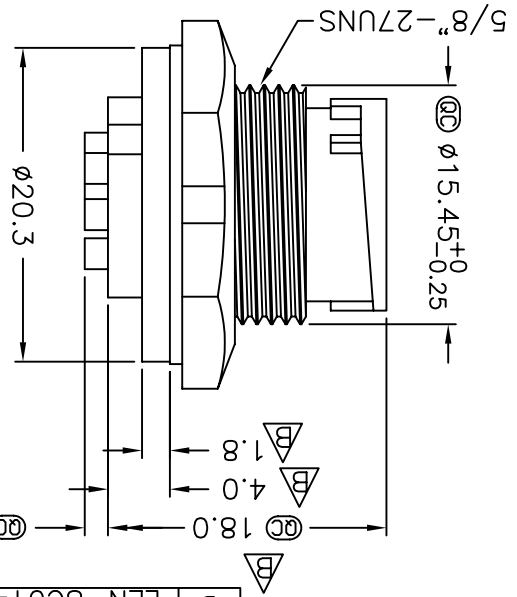
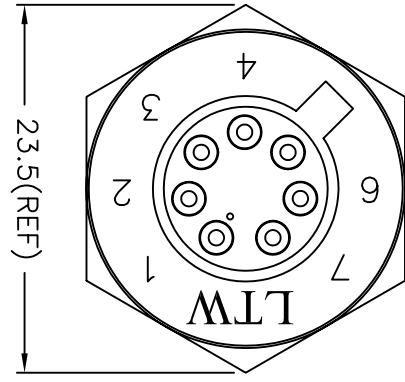
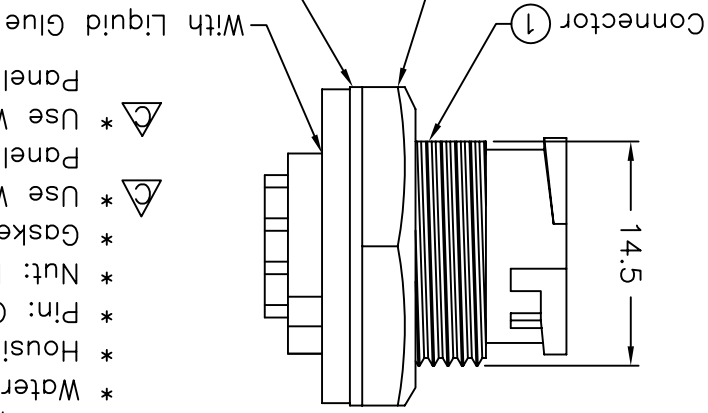
REV.	SIZE	SCALE	REV.	SIZE	REV.
D	A4	Free	D	A4	Panel Lock 7Pin M Conn M Pin

REV.	SIZE	SCALE	REV.	SIZE	REV.
D	A4	Free	D	A4	Panel Lock 7Pin M Conn M Pin

REV.	SIZE	SCALE	REV.	SIZE	REV.
D	A4	Free	D	A4	Panel Lock 7Pin M Conn M Pin

Note: @Important Dimension To Check.

- * Waterproof Rate: IP67
- * Housing: Black, Nylon+GF
- * Pin: Copper Alloy, Gold Plated
- * Nut: Black, Nylon+GF
- * Gasket: Black, EPDM
- * Use With Waterproof Cap Or Dust Cap
- * Panel Thickness Max: 3.0mm
- * Use Without Waterproof Cap Or Dust Cap
- * Panel Thickness Max: 4.5mm



X-ON Electronics

Largest Supplier of Electrical and Electronic Components

Click to view similar products for [Unspecified Connectors](#) category:

Click to view products by [Amphenol](#) manufacturer:

Other Similar products are found below :

[1-21107-1](#) [RAD-OUT-8D-REL](#) [RF-17S1N8A80DU](#) [2-21053-5](#) [PSC-28-1](#) [38111](#) [403000A10M050](#) [1-1589688-1](#) [QUINT-PS/1AC/48DC/10](#)
[99 9113 02 05](#) [578302](#) [578286](#) [130623](#) [186316](#) [153253](#) [186328](#) [153276](#) [153341](#) [153322](#) [153354](#) [193951](#) [130642](#) [1713941](#) [HC-DD72-I-](#)
[CT-F](#) [VC-AR1/2M-S88-SET](#) [RC-5AS2000](#) [RC-Z2068](#) [VC-TR5/6M](#) [RAD-900-CONF-RF1](#) [RAD-CON-SMA-N-SS](#) [RAD-ISM-900-ANT-](#)
[OMNI-0-6](#) [RAD-PIG-EF316-N-RSMA](#) [KST-POF](#) [RIF-0-RPT-12DC/21](#) [RIF-1-BPT/2X21](#) [RIF-1-RPT-LV-120AC/2X21AU](#) [RIF-RH-1](#) [PV-](#)
[FT-C2F-HSG](#) [HC-EVO-B06-HHFS-2B-PL-BK](#) [99 0210 00 04](#) [801377](#) [803579](#) [710-00007](#) [122.005-6](#) [122.012-10](#) [122.018-10](#) [122.038-6](#)
[125.038-8](#) [135.016](#) [136.0804](#)