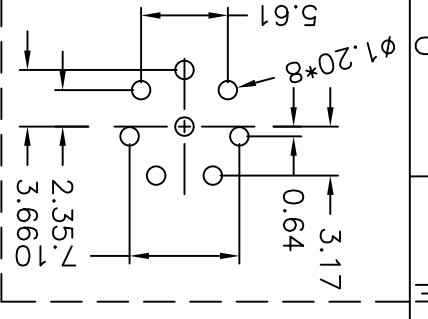


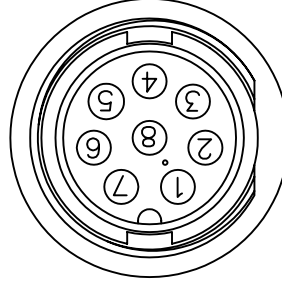
THIS DOCUMENT IS SUBJECT TO CHANGE WITHOUT NOTICE. IT IS CONFIDENTIAL AND A PROPERTY OF LTW. DISCLOSURE TO THIRD PARTY HAS TO BE AUTHORIZED BY LTW.

REV.	ECN NO.	DATE	SIGN	DESCRIPTION
B	LEN-8B0402	2008/09/17	Shin	Add Note

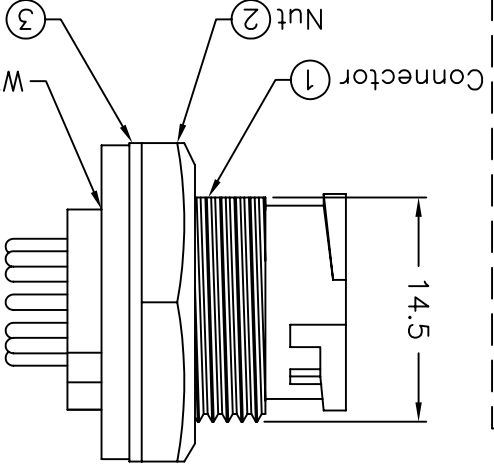
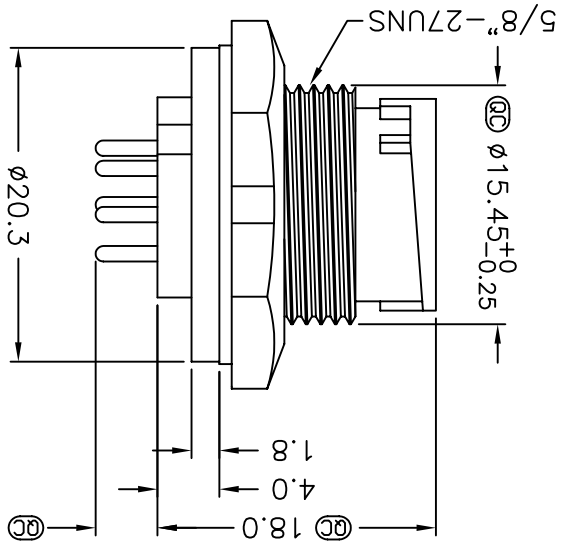
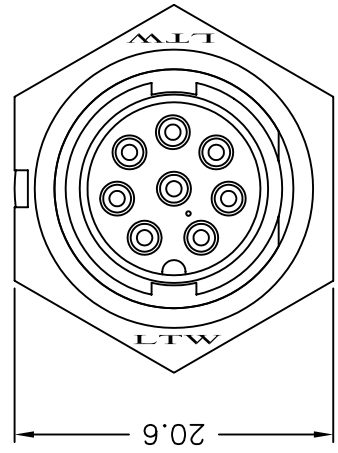
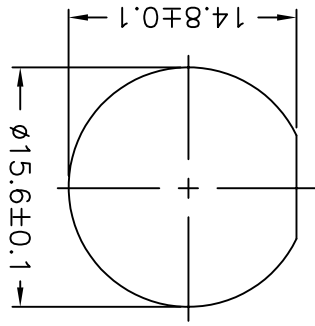


8 Pin Male Connector Male Pin PCB Layout

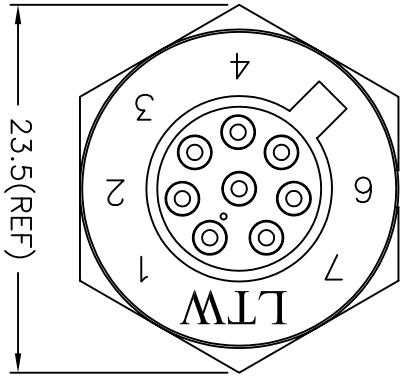
Pin Assignments Front View



Recommended Panel Cut-out



Note:
 * @Important Dimension To Check.
 * Waterproof Rate: IP67
 * Housing: Black, Nylon+GF
 * Pin: Copper Alloy, Gold Plated
 * Nut: Black, Nylon+GF
 * Gasket: Black, EPDM
 * Use With Waterproof Cap Or Dust Cap
 * Panel Thickness Max: 3.0mm
 * Use Without Waterproof Cap Or Dust Cap
 * Panel Thickness Max: 4.5mm



With Liquid Glue
 Gasket
 Nut
 Connector

UNIT:mm	TOLERANCE	X ±0.25	XX ±0.1	XXX ±0.05	F1
---------	-----------	------------	------------	--------------	----

TITLE	Panel Lock 8Pin M Conn M Pin
SCALE	Free
SHEET	1 OF 1
REV.	B
SIZE	A4
QC	: Inspection Item

ITEM NO	LTWBD-08PMP-LC7001
DWG NO	LTWBD-08PMP-LC7001
CHECKED BY	Tommy
DATE	2008/10/30
DRAWN BY	Ivan
DATE	2008/10/30
APPROVED BY	Luke
DATE	2008/10/30

LTW

亮泰企業股份有限公司

X-ON Electronics

Largest Supplier of Electrical and Electronic Components

Click to view similar products for [Unspecified Connectors](#) category:

Click to view products by [Amphenol](#) manufacturer:

Other Similar products are found below :

[1-21107-1](#) [RAD-OUT-8D-REL](#) [RF-17S1N8A80DU](#) [2-21053-5](#) [PSC-28-1](#) [38111](#) [403000A10M050](#) [1-1589688-1](#) [QUINT-PS/1AC/48DC/10](#)
[99 9113 02 05](#) [578302](#) [578286](#) [130623](#) [186316](#) [153253](#) [186328](#) [153276](#) [153341](#) [153322](#) [153354](#) [193951](#) [130642](#) [1713941](#) [HC-DD72-I-](#)
[CT-F](#) [VC-AR1/2M-S88-SET](#) [RC-5AS2000](#) [RC-Z2068](#) [VC-TR5/6M](#) [RAD-900-CONF-RF1](#) [RAD-CON-SMA-N-SS](#) [RAD-ISM-900-ANT-](#)
[OMNI-0-6](#) [RAD-PIG-EF316-N-RSMA](#) [KST-POF](#) [RIF-0-RPT-12DC/21](#) [RIF-1-BPT/2X21](#) [RIF-1-RPT-LV-120AC/2X21AU](#) [RIF-RH-1](#) [PV-](#)
[FT-C2F-HSG](#) [HC-EVO-B06-HHFS-2B-PL-BK](#) [99 0210 00 04](#) [801377](#) [803579](#) [710-00007](#) [122.005-6](#) [122.012-10](#) [122.018-10](#) [122.038-6](#)
[125.038-8](#) [135.016](#) [136.0804](#)