

THIS DOCUMENT IS SUBJECT TO CHANGE WITHOUT NOTICE. IT IS CONFIDENTIAL AND A PROPERTY OF LTW. DISCLOSURE TO THIRD PARTY HAS TO BE AUTHORIZED BY LTW.

|      |            |             |       |
|------|------------|-------------|-------|
| DATE | 2008/10/30 | DRAWN BY    | Ivan  |
| DATE | 2008/10/30 | CHECKED BY  | Tommy |
| DATE | 2008/10/30 | APPROVED BY | Luke  |

|      |            |            |            |  |
|------|------------|------------|------------|--|
| REV. | ECN NO.    | DATE       | SIGN       | DESCRIPTION  |
| B    |            | 2007/04/23 | J.Espiritu | Change Precision Of Dimension 18.00 To 18.0 And Apply New Format |
| C    | LEN-8B0409 | 2008/09/22 | Shin       | Add Note   |

|          |                    |
|----------|--------------------|
| ITEM NO  | LTWBU-10PMP-LC7001 |
| DWG NO   | LTWBU-10PMP-LC7001 |
| CUSTOMER | 亮泰企業股份有限公司         |

|   |   |   |
|---|---|---|
| 6 | 7 | 8 |
|---|---|---|

|   |   |   |
|---|---|---|
| 3 | 4 | 5 |
|---|---|---|

|   |   |   |
|---|---|---|
| 3 | 4 | 5 |
|---|---|---|

|       |   |       |        |
|-------|---|-------|--------|
| REV.  | C                                       | SIZE  | A4     |
| SCALE | Free                                    | SHEET | 1 OF 1 |
| TITLE | Standard Panel Lock 10Pin M Conn. M Pin |       |        |

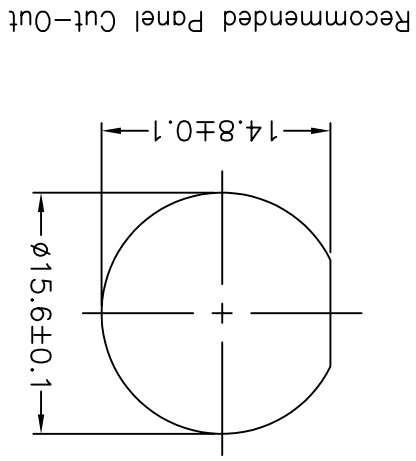
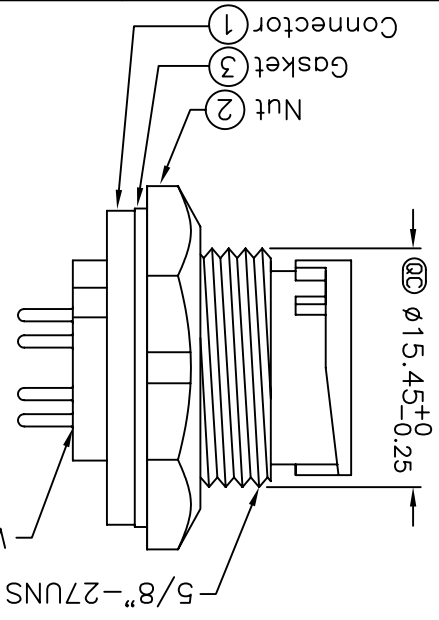
|   |   |   |
|---|---|---|
| 2 | 3 | 4 |
|---|---|---|

|           |                               |
|-----------|-------------------------------|
| UNIT:mm   |                               |
| TOLERANCE | ±0.25<br>±0.1<br>±0.05<br>±.1 |
| ANGLES    | °<br>XX<br>XXX                |

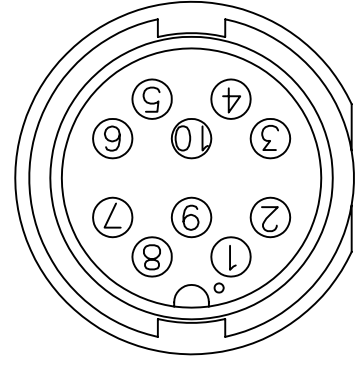
|   |   |   |   |   |   |
|---|---|---|---|---|---|
| 1 | 2 | 3 | 4 | 5 | 6 |
|---|---|---|---|---|---|

LTW

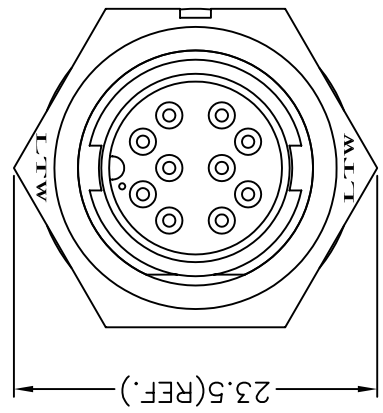
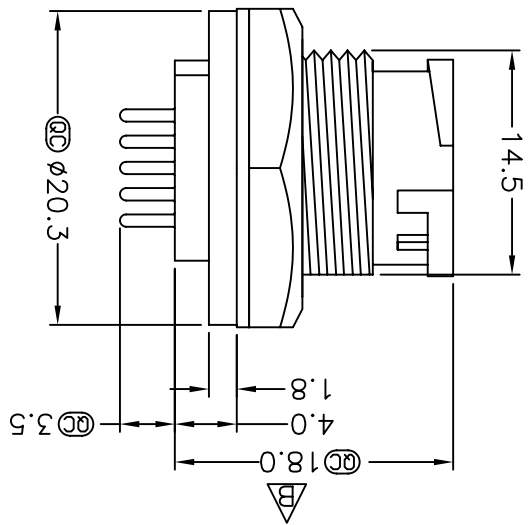
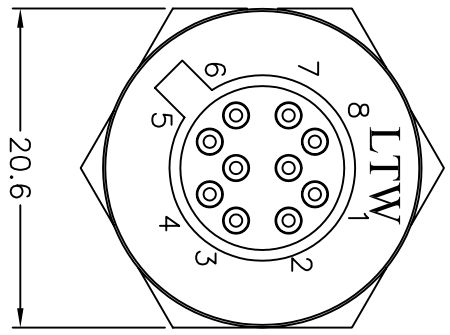
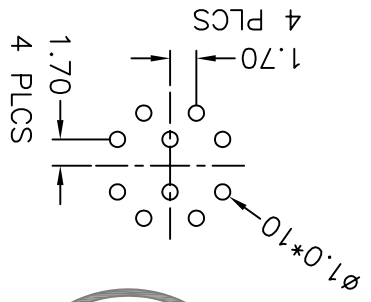
- Note:
- \* @ Important Dimension To Check.
  - \* Waterproof Rate: IP67
  - \* Housing: Black, Nylon+GF
  - \* Male Pin: Copper Alloy, Gold Plated
  - \* Nut: Black, Nylon+GF
  - \* Gasket: Black, EPDM
  - \* Use with waterproof cap or dust cap
  - \* Use without waterproof cap or dust cap
  - \* Panel Thickness Max: 3.0mm
  - \* Panel Thickness Max: 4.5mm



Pin Assignments



PCB Lay-Out



## X-ON Electronics

Largest Supplier of Electrical and Electronic Components

*Click to view similar products for [Unspecified Connectors](#) category:*

*Click to view products by [Amphenol](#) manufacturer:*

Other Similar products are found below :

[1-21107-1](#) [RAD-OUT-8D-REL](#) [RF-17S1N8A80DU](#) [2-21053-5](#) [PSC-28-1](#) [38111](#) [403000A10M050](#) [1-1589688-1](#) [QUINT-PS/1AC/48DC/10](#)  
[99 9113 02 05](#) [578302](#) [578286](#) [130623](#) [186316](#) [153253](#) [186328](#) [153276](#) [153341](#) [153322](#) [153354](#) [193951](#) [130642](#) [1713941](#) [HC-DD72-I-](#)  
[CT-F](#) [VC-AR1/2M-S88-SET](#) [RC-5AS2000](#) [RC-Z2068](#) [VC-TR5/6M](#) [RAD-900-CONF-RF1](#) [RAD-CON-SMA-N-SS](#) [RAD-ISM-900-ANT-](#)  
[OMNI-0-6](#) [RAD-PIG-EF316-N-RSMA](#) [KST-POF](#) [RIF-0-RPT-12DC/21](#) [RIF-1-BPT/2X21](#) [RIF-1-RPT-LV-120AC/2X21AU](#) [RIF-RH-1](#) [PV-](#)  
[FT-C2F-HSG](#) [HC-EVO-B06-HHFS-2B-PL-BK](#) [99 0210 00 04](#) [801377](#) [803579](#) [710-00007](#) [122.005-6](#) [122.012-10](#) [122.018-10](#) [122.038-6](#)  
[125.038-8](#) [135.016](#) [136.0804](#)