

THIS DOCUMENT IS SUBJECT TO CHANGE WITHOUT NOTICE. IT IS CONFIDENTIAL AND A PROPERTY OF Amphenol LTW. DISCLOSURE TO THIRD PARTY HAS TO BE AUTHORIZED BY Amphenol LTW. FMW0702-01-01A2

8 7 6 5 4 3 2 1

REV. B	LEN-0C0670	DATE 2010/11/26	SIGN Ivan	DESCRIPTION Change View
--------	------------	-----------------	-----------	-------------------------

ITEM NO	LTWBU-12BFFA-LL7001	DRAWN BY	Ivan	DATE	2010/11/26
DWG NO	LTWBU-12BFFA-LL7001	CHECKED BY	Aric	DATE	2010/11/26
CUSTOMER	安普諾亮泰企業股份有限公司				
APPROVED BY	Yitung				
DATE	2010/11/26				

UNIT:mm	Standard
TITLE	Assy Lock 12Pin F Conn. F Pin
TOLERANCE	±0.25 ±0.1 ±0.05 ±.1
ANGLES	XXX XX X
REV.	B
SCALE	Free
SIZE	A4
SHEET	1 OF 1
©: Inspection Item	

REV. B	LEN-0C0670	DATE 2010/11/26	SIGN Ivan	DESCRIPTION Change View
--------	------------	-----------------	-----------	-------------------------

UNIT:mm	Standard
TITLE	Assy Lock 12Pin F Conn. F Pin
TOLERANCE	±0.25 ±0.1 ±0.05 ±.1
ANGLES	XXX XX X
REV.	B
SCALE	Free
SIZE	A4
SHEET	1 OF 1
©: Inspection Item	

UNIT:mm	Standard
TITLE	Assy Lock 12Pin F Conn. F Pin
TOLERANCE	±0.25 ±0.1 ±0.05 ±.1
ANGLES	XXX XX X
REV.	B
SCALE	Free
SIZE	A4
SHEET	1 OF 1
©: Inspection Item	

UNIT:mm	Standard
TITLE	Assy Lock 12Pin F Conn. F Pin
TOLERANCE	±0.25 ±0.1 ±0.05 ±.1
ANGLES	XXX XX X
REV.	B
SCALE	Free
SIZE	A4
SHEET	1 OF 1
©: Inspection Item	

UNIT:mm	Standard
TITLE	Assy Lock 12Pin F Conn. F Pin
TOLERANCE	±0.25 ±0.1 ±0.05 ±.1
ANGLES	XXX XX X
REV.	B
SCALE	Free
SIZE	A4
SHEET	1 OF 1
©: Inspection Item	

UNIT:mm	Standard
TITLE	Assy Lock 12Pin F Conn. F Pin
TOLERANCE	±0.25 ±0.1 ±0.05 ±.1
ANGLES	XXX XX X
REV.	B
SCALE	Free
SIZE	A4
SHEET	1 OF 1
©: Inspection Item	

UNIT:mm	Standard
TITLE	Assy Lock 12Pin F Conn. F Pin
TOLERANCE	±0.25 ±0.1 ±0.05 ±.1
ANGLES	XXX XX X
REV.	B
SCALE	Free
SIZE	A4
SHEET	1 OF 1
©: Inspection Item	

UNIT:mm	Standard
TITLE	Assy Lock 12Pin F Conn. F Pin
TOLERANCE	±0.25 ±0.1 ±0.05 ±.1
ANGLES	XXX XX X
REV.	B
SCALE	Free
SIZE	A4
SHEET	1 OF 1
©: Inspection Item	

UNIT:mm	Standard
TITLE	Assy Lock 12Pin F Conn. F Pin
TOLERANCE	±0.25 ±0.1 ±0.05 ±.1
ANGLES	XXX XX X
REV.	B
SCALE	Free
SIZE	A4
SHEET	1 OF 1
©: Inspection Item	

UNIT:mm	Standard
TITLE	Assy Lock 12Pin F Conn. F Pin
TOLERANCE	±0.25 ±0.1 ±0.05 ±.1
ANGLES	XXX XX X
REV.	B
SCALE	Free
SIZE	A4
SHEET	1 OF 1
©: Inspection Item	

UNIT:mm	Standard
TITLE	Assy Lock 12Pin F Conn. F Pin
TOLERANCE	±0.25 ±0.1 ±0.05 ±.1
ANGLES	XXX XX X
REV.	B
SCALE	Free
SIZE	A4
SHEET	1 OF 1
©: Inspection Item	

UNIT:mm	Standard
TITLE	Assy Lock 12Pin F Conn. F Pin
TOLERANCE	±0.25 ±0.1 ±0.05 ±.1
ANGLES	XXX XX X
REV.	B
SCALE	Free
SIZE	A4
SHEET	1 OF 1
©: Inspection Item	

UNIT:mm	Standard
TITLE	Assy Lock 12Pin F Conn. F Pin
TOLERANCE	±0.25 ±0.1 ±0.05 ±.1
ANGLES	XXX XX X
REV.	B
SCALE	Free
SIZE	A4
SHEET	1 OF 1
©: Inspection Item	

UNIT:mm	Standard
TITLE	Assy Lock 12Pin F Conn. F Pin
TOLERANCE	±0.25 ±0.1 ±0.05 ±.1
ANGLES	XXX XX X
REV.	B
SCALE	Free
SIZE	A4
SHEET	1 OF 1
©: Inspection Item	

UNIT:mm	Standard
TITLE	Assy Lock 12Pin F Conn. F Pin
TOLERANCE	±0.25 ±0.1 ±0.05 ±.1
ANGLES	XXX XX X
REV.	B
SCALE	Free
SIZE	A4
SHEET	1 OF 1
©: Inspection Item	

UNIT:mm	Standard
TITLE	Assy Lock 12Pin F Conn. F Pin
TOLERANCE	±0.25 ±0.1 ±0.05 ±.1
ANGLES	XXX XX X
REV.	B
SCALE	Free
SIZE	A4
SHEET	1 OF 1
©: Inspection Item	

UNIT:mm	Standard
TITLE	Assy Lock 12Pin F Conn. F Pin
TOLERANCE	±0.25 ±0.1 ±0.05 ±.1
ANGLES	XXX XX X
REV.	B
SCALE	Free
SIZE	A4
SHEET	1 OF 1
©: Inspection Item	

UNIT:mm	Standard
TITLE	Assy Lock 12Pin F Conn. F Pin
TOLERANCE	±0.25 ±0.1 ±0.05 ±.1
ANGLES	XXX XX X
REV.	B
SCALE	Free
SIZE	A4
SHEET	1 OF 1
©: Inspection Item	

UNIT:mm	Standard
TITLE	Assy Lock 12Pin F Conn. F Pin
TOLERANCE	±0.25 ±0.1 ±0.05 ±.1
ANGLES	XXX XX X
REV.	B
SCALE	Free
SIZE	A4
SHEET	1 OF 1
©: Inspection Item	

UNIT:mm	Standard
TITLE	Assy Lock 12Pin F Conn. F Pin
TOLERANCE	±0.25 ±0.1 ±0.05 ±.1
ANGLES	XXX XX X
REV.	B
SCALE	Free
SIZE	A4
SHEET	1 OF 1
©: Inspection Item	

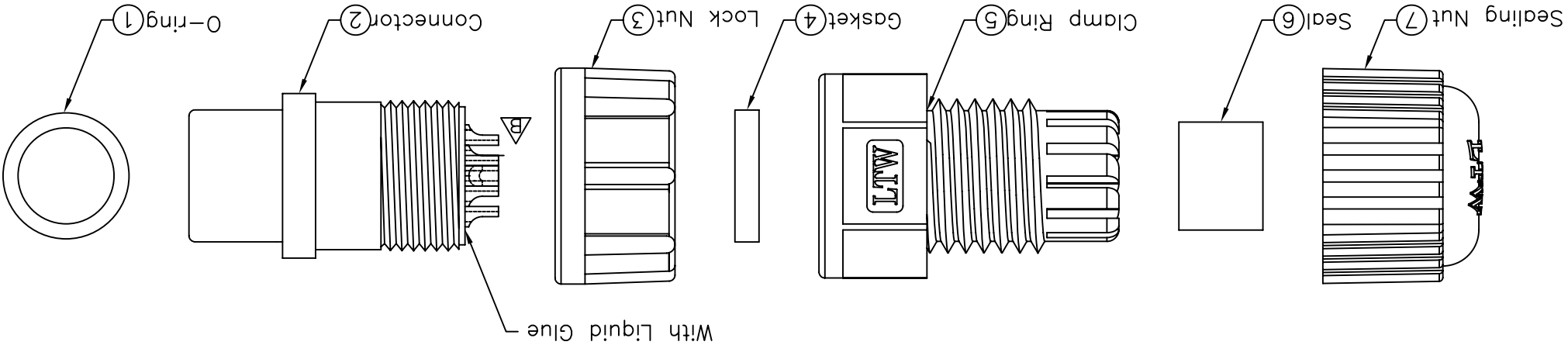
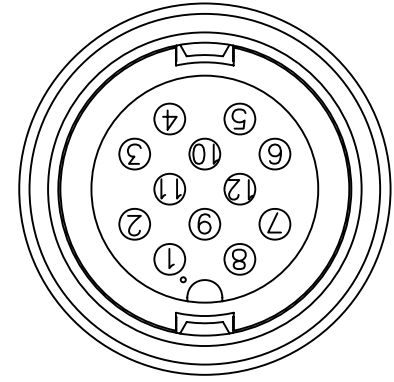
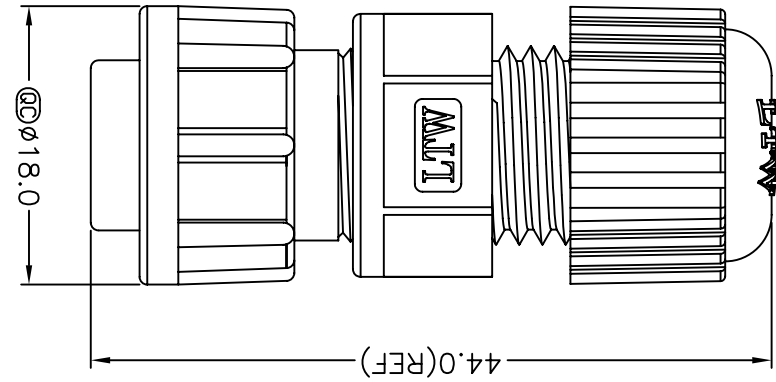
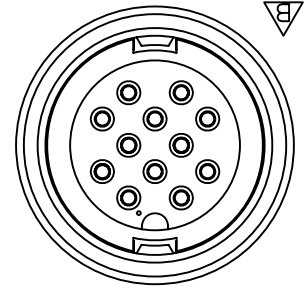
UNIT:mm	Standard
TITLE	Assy Lock 12Pin F Conn. F Pin
TOLERANCE	±0.25 ±0.1 ±0.05 ±.1
ANGLES	XXX XX X
REV.	B
SCALE	Free
SIZE	A4
SHEET	1 OF 1
©: Inspection Item	

UNIT:mm	Standard
TITLE	Assy Lock 12Pin F Conn. F Pin
TOLERANCE	±0.25 ±0.1 ±0.05 ±.1
ANGLES	XXX XX X
REV.	B
SCALE	Free
SIZE	A4
SHEET	1 OF 1
©: Inspection Item	

UNIT:mm	Standard
TITLE	Assy Lock 12Pin F Conn. F Pin
TOLERANCE	±0.25 ±0.1 ±0.05 ±.1
ANGLES	XXX XX X
REV.	B
SCALE	Free
SIZE	A4
SHEET	1 OF 1
©: Inspection Item	

UNIT:mm	Standard
TITLE	Assy Lock 12Pin F Conn. F Pin
TOLERANCE	±0.25 ±0.1 ±0.05 ±.1
ANGLES	XXX XX X
REV.	B
SCALE	Free
SIZE	A4
SHEET	1 OF 1
©: Inspection Item	

- Note:
- \* @Important Dimension To Check.
  - \* Waterproof Rate: IP67
  - \* Connector:Nylon+GF, Black
  - \* Female Pin: Copper Alloy, Gold Plated
  - \* Lock Nut:Nylon+GF, Black
  - \* O-Ring:EPDM, Black
  - \* Gasket:EPDM, Black
  - \* Seal:EPDM, Black
  - \* Clamp Ring:Nylon66, Black
  - \* Sealing Nut: Nylon66,Black
  - \* Seal for Cable OD:  $\phi 4.5\text{mm} \sim \phi 6.5\text{mm}$
  - \* One Set Unassembled in One PE Bag



With Liquid Glue

## X-ON Electronics

Largest Supplier of Electrical and Electronic Components

*Click to view similar products for [Unspecified Connectors](#) category:*

*Click to view products by [Amphenol](#) manufacturer:*

Other Similar products are found below :

[1-21107-1](#) [RAD-OUT-8D-REL](#) [RF-17S1N8A80DU](#) [2-21053-5](#) [PSC-28-1](#) [38111](#) [403000A10M050](#) [1-1589688-1](#) [QUINT-PS/1AC/48DC/10](#)  
[99 9113 02 05](#) [578302](#) [578286](#) [130623](#) [186316](#) [153253](#) [186328](#) [153276](#) [153341](#) [153322](#) [153354](#) [193951](#) [130642](#) [1713941](#) [HC-DD72-I-](#)  
[CT-F](#) [VC-AR1/2M-S88-SET](#) [RC-5AS2000](#) [RC-Z2068](#) [VC-TR5/6M](#) [RAD-900-CONF-RF1](#) [RAD-CON-SMA-N-SS](#) [RAD-ISM-900-ANT-](#)  
[OMNI-0-6](#) [RAD-PIG-EF316-N-RSMA](#) [KST-POF](#) [RIF-0-RPT-12DC/21](#) [RIF-1-BPT/2X21](#) [RIF-1-RPT-LV-120AC/2X21AU](#) [RIF-RH-1](#) [PV-](#)  
[FT-C2F-HSG](#) [HC-EVO-B06-HHFS-2B-PL-BK](#) [99 0210 00 04](#) [801377](#) [803579](#) [710-00007](#) [122.005-6](#) [122.012-10](#) [122.018-10](#) [122.038-6](#)  
[125.038-8](#) [135.016](#) [136.0804](#)