

## ANNA-40-4-M

~20° medium beam with 4 optics

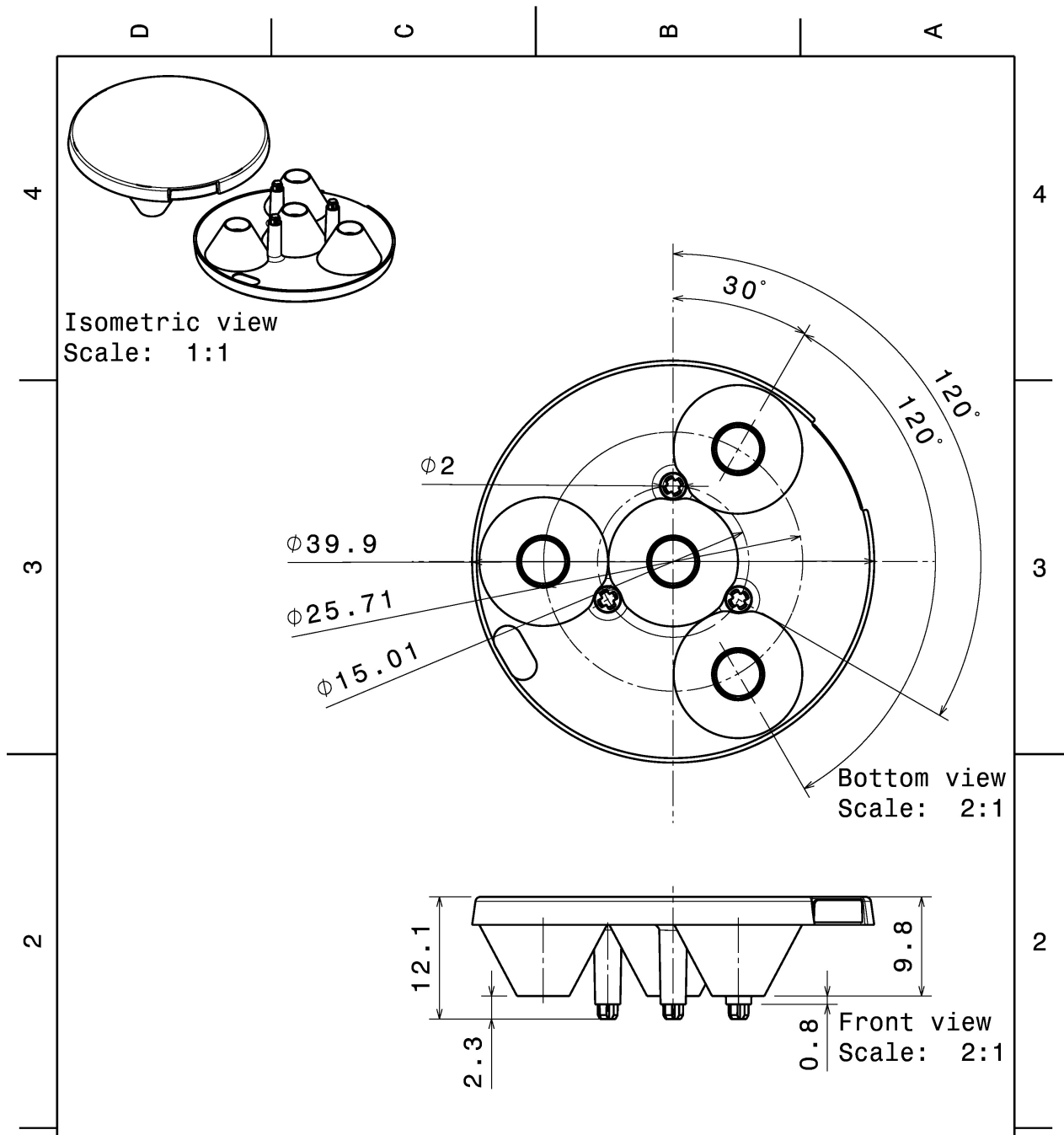
### TECHNICAL SPECIFICATIONS:

Dimensions	Ø 40.0 mm
Height	10.7 mm
Fastening	glue, pin
Colour	clear
Box size	480 x 280 x 300 mm
Box weight	5.7 kg
Quantity in Box	760 pcs
ROHS compliant	yes ⓘ



### MATERIAL SPECIFICATIONS:

Component	Type	Material	Colour
ANNA-40-4-M	Lens array	PMMA	clear



Tolerances if not otherwise shown  
According to DIN ISO 2768-1  
Linear measures:  
Up to 30mm class M, otherwise class C.  
According to DIN ISO 2768-2  
Form and position: class L

**LEDiL** LediL Oy  
Salorankatu 10  
FIN 24240 SALO  
Finland

THIRD ANGLE PROJECTION:

**DRAWING TITLE**  
C11794\_ANNA-40-4-M

This drawing is the property of LEDiL Oy. It may not be reproduced, copied or communicated without a written agreement with LEDiL Oy."

SIZE	PART NUMBER
A4	C11794

SCALE	2:1	WEIGHT	-	SHEET	1/1
-------	-----	--------	---	-------	-----

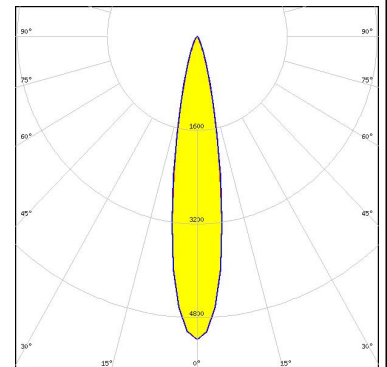
### PHOTOMETRIC DATA (MEASURED):

#### CREE

LED XB-D  
FWHM 22.0°  
Efficiency 87 %  
Peak intensity 3.450 cd/lm  
Required components:

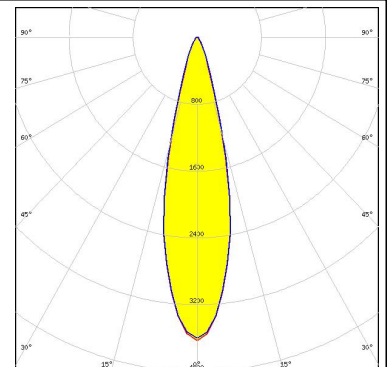
#### CREE

LED XP-E  
FWHM 19.0°  
Efficiency 91 %  
Peak intensity 5.200 cd/lm  
Required components:



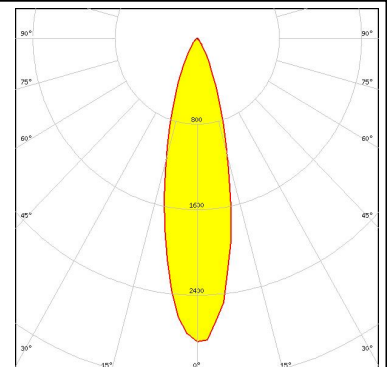
#### CREE

LED XP-G  
FWHM 25.0°  
Efficiency 91 %  
Peak intensity 3.600 cd/lm  
Required components:



#### LUMILEDS

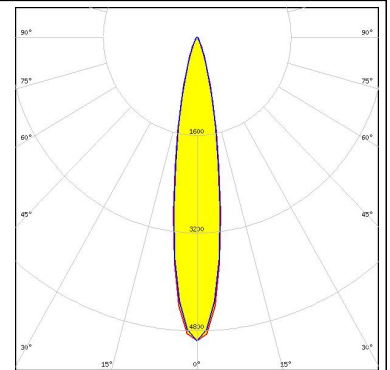
LED LUXEON A  
FWHM 26.0°  
Efficiency 84 %  
Peak intensity 2.840 cd/lm  
Required components:



### PHOTOMETRIC DATA (MEASURED):

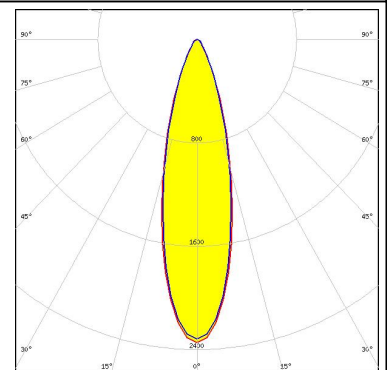
#### LUMILEDS

LED LUXEON Rebel  
FWHM 18.0°  
Efficiency 87 %  
Peak intensity 5.000 cd/lm  
Required components:



#### LUMILEDS

LED LUXEON Rebel ES  
FWHM 27.0°  
Efficiency 87 %  
Peak intensity 2.300 cd/lm  
Required components:

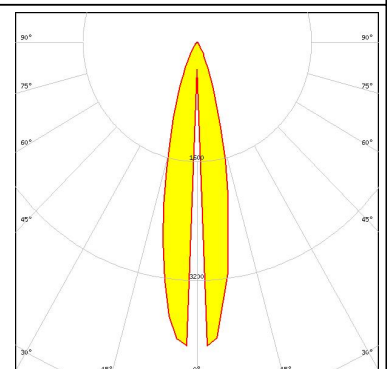


#### NICHIA

LED NCSxx19A  
FWHM 23.0°  
Efficiency 89 %  
Peak intensity 3.200 cd/lm  
Required components:

#### NICHIA

LED NF2x757A  
FWHM 20.0°  
Efficiency 90 %  
Peak intensity 4.080 cd/lm  
Required components:



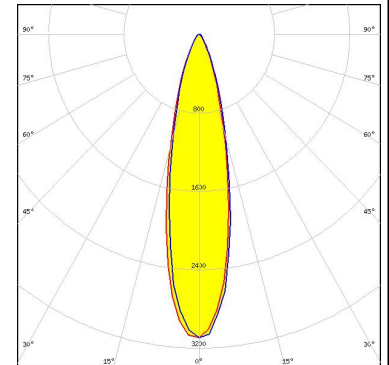
### PHOTOMETRIC DATA (MEASURED):



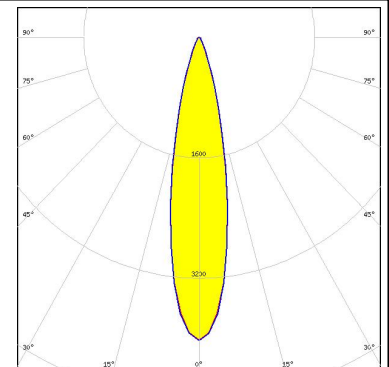
LED NVSxx19A  
FWHM 25.0°  
Efficiency 89 %  
Peak intensity 2.900 cd/lm  
Required components:



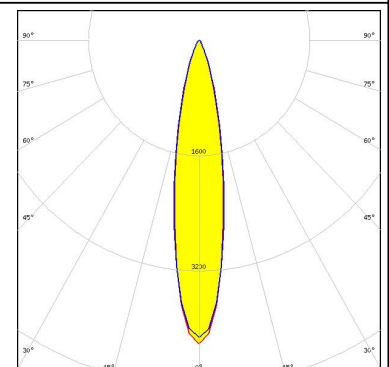
LED Duris S5 (2 chip)  
FWHM 25.0°  
Efficiency 85 %  
Peak intensity 3.100 cd/lm  
Required components:




LED Oslon SSL 150  
FWHM 22.0°  
Efficiency 89 %  
Peak intensity 4.000 cd/lm  
Required components:



LED Oslon SSL 80  
FWHM 20.0°  
Efficiency 88 %  
Peak intensity 4.200 cd/lm  
Required components:



## PHOTOMETRIC DATA (SIMULATED):

 SEOUL SEMICONDUCTOR	
LED	Z5
FWHM	23.0°
Efficiency	%
Peak intensity	cd/lm
Required components:	
<b>SHARP</b>	
LED	Double Dome (GM2BB)
FWHM	24.0°
Efficiency	%
Peak intensity	cd/lm
Required components:	

### GENERAL INFORMATION:

NOTE: The typical beam angle will be changed by different color, chip size and chip position tolerance. The typical total beam angle is the full angle measured where the luminous intensity is half of the peak value.

### MATERIALS:

As part of our continuous research and improvement processes, and to ensure the best possible quality and availability of our products, LEDiL reserves the right to change material grades without notice.

### PRODUCT DATA USER AGREEMENT AND DISCLAIMER:

The measured data in the provided downloadable LEDiL Product Datasheets and Mechanical 2D-Drawings is rounded and provided as reference for planning. LEDiL Oy's optical specifications have been verified by conducting performance testing of the products in accordance with the company's quality system. The reported data are averaged results of multiple measurements with typical variation. LEDiL Oy reserves the right to without prior notification make changes and improvements to its products.

LEDiL Oy assumes neither warranty, nor guarantee nor any other liability of any kind for the contents and correctness of the provided data. The provided data has been generated with highest diligence but the provided data may in reality not represent the complete possible variation range of all intrinsic parameters. Therefore, in certain cases a deviation from the provided data could occur.

LEDiL Oy reserves the right to undertake technical changes of its products without further notification which could lead to changes in the provided data. LEDiL Oy assumes no liability of any kind for the possible deviation from any provided data or any other damage resulting from the usage of the provided data.

The user agrees to this disclaimer and user agreement with the download or usage of the provided files.

#### LEDiL Oy

Joensuunkatu 13  
FI-24240 SALO  
Finland

#### LEDiL Inc.

228 West Page Street  
Suite D  
Sycamore IL 60178  
USA

#### Local sales and technical support

[www.ledil.com/  
where\\_to\\_buy](http://www.ledil.com/where_to_buy)

#### Shipping locations

Salo, Finland  
Hong Kong, China

#### Distribution Partners

[www.ledil.com/  
where\\_to\\_buy](http://www.ledil.com/where_to_buy)

## X-ON Electronics

Largest Supplier of Electrical and Electronic Components

*Click to view similar products for [LED Lighting Lenses](#) category:*

*Click to view products by [Ledil](#) manufacturer:*

Other Similar products are found below :

[LL01ED-AK40L06](#) [LL01ZZ-EX25L06-M2](#) [180182-0000](#) [FNP-N2-N083-0R NRW](#) [LL01ED-ALI55R49](#) [0190535300](#) [0410111300](#)  
[0510113303](#) [0530997](#) [2710121](#) [C11004\\_TINA2-RS](#) [C12231\\_LENA-FRESNEL-LENS](#) [LL01ED-AKY24R49](#) [LL01CR-AYG15R49](#)  
[LL01CR-OT32L06-M2](#) [LL01ZZ-AAA24L49](#) [LL01CR-CEN38L02](#) [LL01ZZ-AAA55L49](#) [LL01CR-AYG24R49](#) [LL01A00CZMB2-M2](#)  
[LL01ED-AKY38R49](#) [LL01CR-CNE2545L06-M2](#) [LL01ZZ-AAA38L49](#) [LL01ED-AKV36R49](#) [LL01ED-ALI24R49](#) [LL01CR-AYG38R49](#)  
[FN15973\\_RONDA-REC-60-C](#) [FP-MS-11.5](#) [F16859\\_LINDA-ZT25](#) [C14169\\_LENA-CLEAR-LENS](#) [C16125\\_OLGA-W](#) [C17410\\_SPORT-](#)  
[2X2-FT6](#) [C17414\\_SPORT-2X2-S6](#) [C17409\\_SPORT-2X2-FT6W](#) [C17360\\_SPORT-2X2-FT60](#) [C17434\\_ILONA-WW](#) [F16636\\_LINDA-W60](#)  
[10003](#) [10003/15](#) [10048](#) [10049](#) [10108](#) [CP10960\\_RGBX-SS](#) [CP12395\\_LXP3-W](#) [10415](#) [10510](#) [1-1000288-0](#) [F14487\\_FLORENCE-1R-](#)  
[MAXI-WG](#) [12667](#) [C14165\\_STRADA-2X2-ME-WIDE2](#)