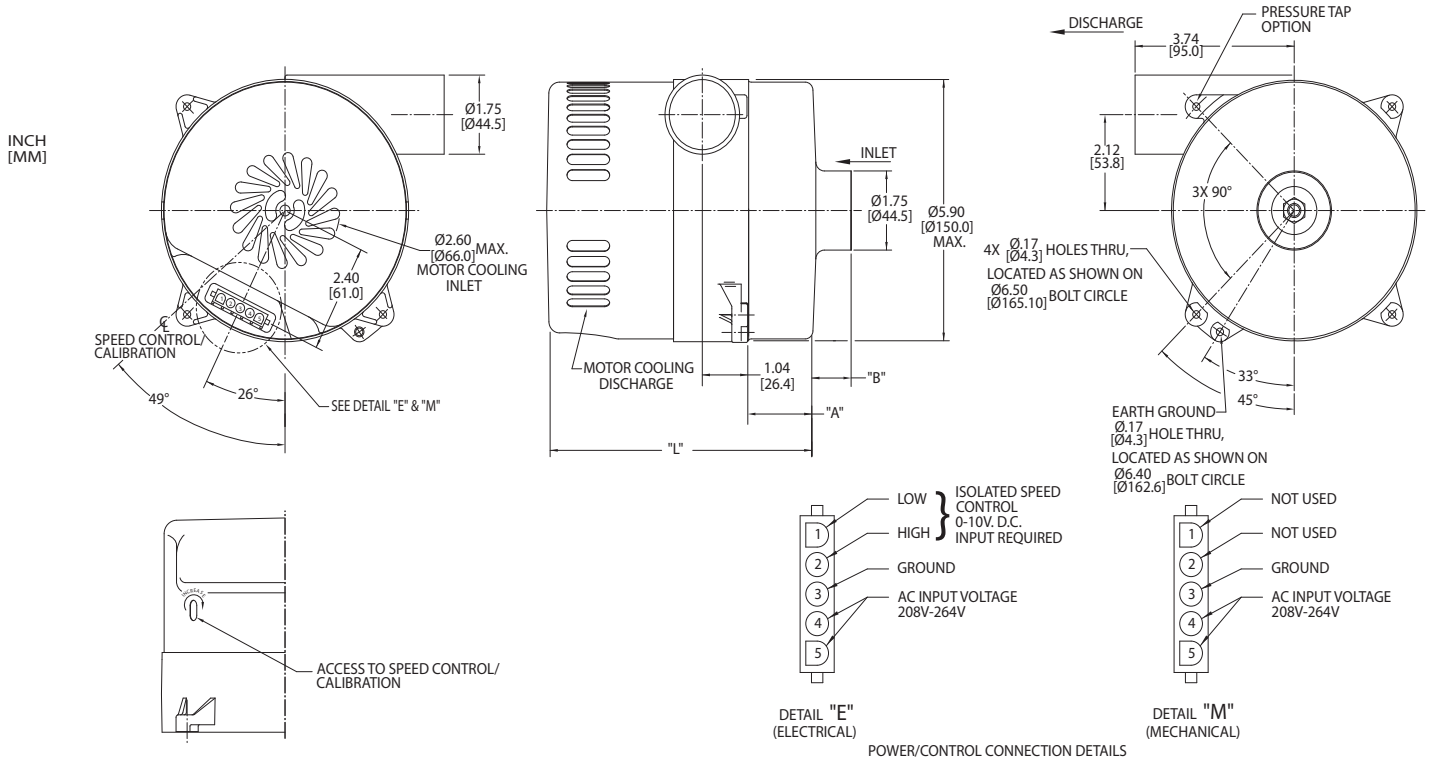


# High Voltage Brushless DC Blowers

## 5.7" (145mm) BLDC Bypass Blower

1200 Watt, 240 Volt High Flow - IntelliGen (TM)



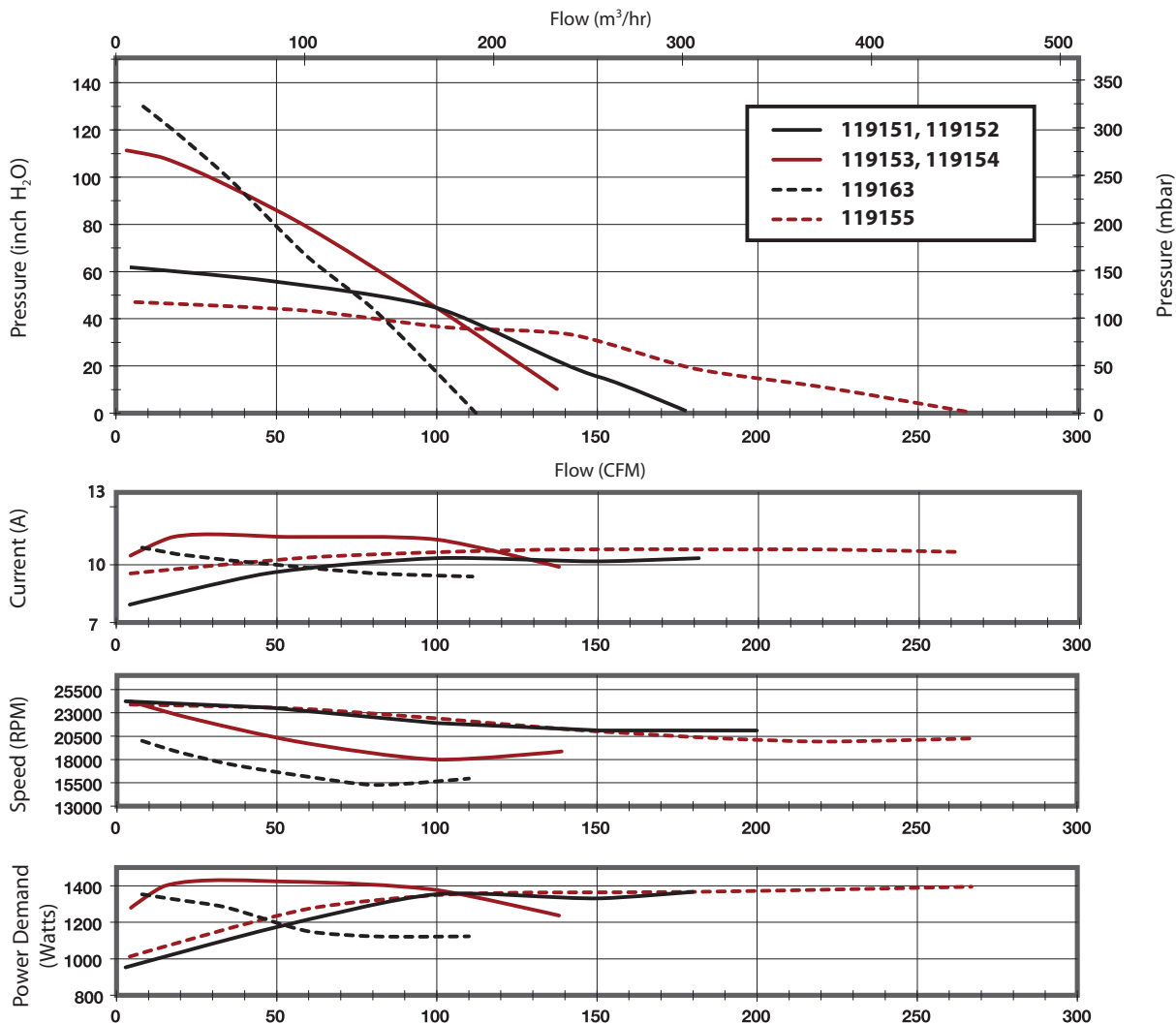
Specification	Units	Part/ Model Number					
		119152	119151	119154	119153	119156	119155
Flow	-	High Flow	High Flow	High Flow	High Flow	High Flow	Ultra High Flow
Stages	-	1	1	2	2	3	1
Max Sealed Vacuum	in. H2O mbar	46 114.6	46 114.6	80 199.3	80 199.3	119 296.4	42 104.6
Max Sealed Pressure	in. H2O mbar	56 139.5	56 139.5	111 276.5	111 276.5	130 323.8	45 112.1
Max Flow Rate	CFM m3/hr	180 306	180 306	140 238	140 238	113 192.1	268 455.6
Inlet/Outlet Diameter	Inches mm	1.75 44.5	1.75 44.5	1.75 44.5	1.75 44.5	1.75 44.5	2.75/2.50 69.9/63.5
Length (I)	Inches mm	.47 11.9	.47 11.9	1.58 40.1	1.58 40.1	1.19 30.2	0.71 18
Length (L)	Inches mm	5.13 130.3	5.13 130.3	6.19 157.2	6.19 157.2	7.17 182.1	5.37 136.4
Speed Control	-	Mechanical	Electrical	Mechanical	Electrical	Electrical	Electrical

### Notes:

- Input Voltage Range:** 216-264 Volts AC RMS, 50/60 Hz., Single Phase, maximum running current 10 Amps RMS.  
Note: Although this unit contains a lock-out feature that detects low voltage conditions, the electronics should not be operated continuously below the input voltage range listed above.
- Operating Temperature (Ambient Air and Working Air):** 0° C to 50° C
- Storage Temperature:** -40° C to 85° C (Internal electronic controller is thermally protected).
- Dielectric Testing:** 1800 Volts AC RMS 60 Hz applied for one second between input pins and ground, 3mA leakage maximum.
- Isolated Speed Control:**  
Analog Input Voltage Range: 2 to +10 VDC nominal (+13.5 VDC maximum).  
Digital Pulse Input: 400 Hz to 20 KHz, 0 to +10 volt pulse nominal, minimum duty cycle 10%, 0 to +13.5 volt maximum.  
Note: Setting of onboard potentiometer can effect control voltage range and maximum speed can be attained before reaching 10 VDC
- Speed Control Input Current:** 5 mA to 20mA at 10 Volts input with multi-turn potentiometer set to minimum resistance (fully clockwise).
- Speed Control Drift with Temperature:**  
Analog Mode: Typ. ±4% from nominal speed at +23 C.  
Digital or Direct Mode: Typ. ±4% from nominal speed at 23 C.
- Approximate Weight:** 6 Lbs. / 2.2 Kg.
- Regulatory Agency Certification:** Underwriters Laboratories, Inc. qualified per UL507 under File E-94403. Canadian Standard Association qualified per C22.2#113 under File LR 43448.
- Miscellaneous:** Intake and exhaust tubes, all cooling ducts and vents must not be obstructed. Intake and exhaust must be free of grease, oil and foreign particles. Amp housing 350809-1 with male pins on 16 awg lead wire (supplied by customer) mates with post header assembly. Mating harness available upon request.

This document is for informational purposes only and should not be considered as a binding description of the products or their performance in all applications. The performance data on this page depicts typical performance under controlled laboratory conditions. AMETEK is not responsible for blowers driven beyond factory specified speed, temperature, pressure, flow or without proper alignment. Actual performance will vary depending on the operating environment and application. AMETEK products are not designed for and should not be used in medical life support applications. AMETEK reserves the right to revise its products without notification. The above characteristics represent standard products. For product designed to meet specific applications, contact AMETEK Technical & Industrial Products Sales department.

Typical Performance



Data presented represents blower performance at STANDARD AIR DENSITY, .075 lb/ft<sup>3</sup> (29.92" Hg, Sea Level, 68° F) Vacuum performance available upon request.

INSTALLATION:

- The blower must be secured using mounting tabs, prior to applying power. This is a high speed device with rapid acceleration.
- Connections:
  - All of the Windjammer IntelliGen™ series blowers have a standard 5 pin connector.
  - A mating connector with leads is supplied with single pack units only.
  - Negative pressure applications will exhibit reduced performance.
  - Exhaust air must be prohibited from being recycled to inlet air.
  - If blower is to be cycled frequently, the DC speed command should be used.
  - For use in industrial applications, use AMETEK Technical & Industrial Products cooling air filters.
  - Note: Utilize AMETEK external EMC filter accessory to meet EN61000-4-6 requirement.
- Option Circuit Connections: Please consult with AMETEK for connection details for all options and custom circuitry.
- Utilizes AMETEK's IntelliGen™ control electronics.

*This document is for informational purposes only and should not be considered as a binding description of the products or their performance in all applications. The performance data on this page depicts typical performance under controlled laboratory conditions. AMETEK is not responsible for blowers driven beyond factory specified speed, temperature, pressure, flow or without proper alignment. Actual performance will vary depending on the operating environment and application. AMETEK products are not designed for and should not be used in medical life support applications. AMETEK reserves the right to revise its products without notification. The above characteristics represent standard products. For product designed to meet specific applications, contact AMETEK Technical & Industrial Products Sales department.*

## **X-ON Electronics**

Largest Supplier of Electrical and Electronic Components

*Click to view similar products for [ametek](#) manufacturer:*

Other Similar products are found below :

[Ametek](#)