

Specifications

Insulation Resistance: 1,000MΩ min. at 500 V DC
 Withstanding Voltage: 500 V AC rms for 1 minute
 Contact Resistance: 15mΩ max. at 10mA
 Current Rating: 1A
 Operating Temp. Range: -20°C to +85°C

Materials and Finish

Housing: PBT (glass filled), UL 94V-0 rated
 Contacts: Phosphor Bronze
 Plating: Gold or Solder over Nickel

Features

- Contact pitch 1.27mm connectors for high-density mounting
- Approx. 40% saved for mounting area to 2.54mm pitch connectors (64 leads)
- Variations include cable connection and board-to-board connection types

Part Number (Details)

NFP - 64A - 01 * 2 **

Series (plug)

No. of Leads

Latch Type:

- 1 = Short Latch
- 2 = Long Latch

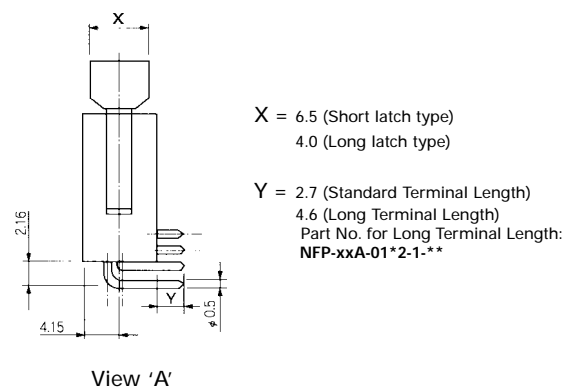
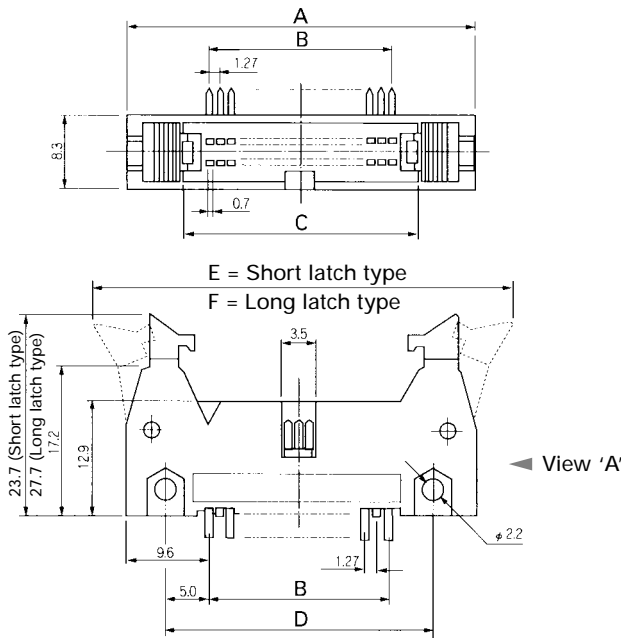
Terminal Type:

- 2 = Right Angle Solder Dip

Type of Plating:

	Base	Mating Face	Solder Terminals
AS	Ni 2.5-4.5μm	Au 0.76μm min.	SnPb 2.0-4.0μm
BS	Ni 2.5-4.5μm	Au 0.3μm min.	SnPb 2.0-4.0μm
AF	Ni 2.5-4.5μm	Au 0.76μm min.	Au 0.05μm min.
BF	Ni 2.5-4.5μm	Au 0.3μm min.	Au 0.05μm min.

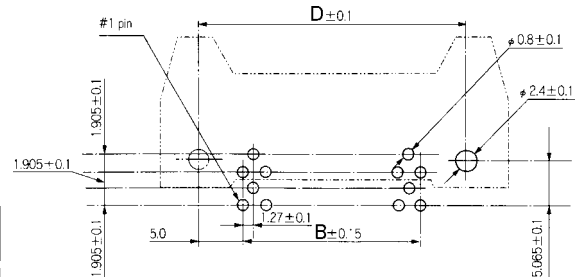
Applicable Dimensions (Reference Only)



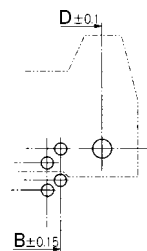
Recommended PCB Layout

Top View

For leads 10, 26, 34 and 50



For all other leads



Part Number	No. of Leads	A	B	C	D	E	F
NFP-10A-01*2**	10	24.28	5.08	11.58	15.08	38.2	40.2
NFP-16A-01*2**	16	28.09	8.89	15.39	18.89	42.0	44.0
NFP-20A-01*2**	20	30.63	11.43	17.93	21.43	44.6	46.6
NFP-26A-01*2**	26	34.44	15.24	21.74	25.24	48.4	50.4
NFP-34A-01*2**	34	39.52	20.32	26.82	30.32	53.5	55.5
NFP-40A-01*2**	40	43.33	24.12	30.63	34.13	57.3	59.3
NFP-50A-01*2**	50	49.68	30.48	36.98	40.48	63.6	65.6
NFP-60A-01*2**	60	56.03	36.83	43.33	46.83	70.0	72.0
NFP-64A-01*2**	64	58.57	39.37	45.87	49.37	72.5	74.5
NFP-80A-01*2**	80	68.73	49.53	56.03	59.53	82.7	84.7
NFP-100A-01*2**	100	81.43	62.23	68.73	72.23	95.4	97.4

X-ON Electronics

Largest Supplier of Electrical and Electronic Components

Click to view similar products for [yamaichi](#) manufacturer:

Other Similar products are found below :

[CAU120-038-A500](#) [IC149-080-017-B5](#) [IC201-1444-026N-2](#) [IC51-0162-150](#) [IC51-0202-347](#) [Y-ConCover-20](#) [IC51-0082-1024](#) [IC51-0804-808-4](#) [IC51-1444-1014](#) [IC234-1444-016N](#) [IC51-1964-1952](#) [IC149-064-001-B5](#) [IC51-0844-401-1](#) [CN121P-056-0002](#) [IC149-160-023-B5](#) [IC51-0282-334-1](#) [Y-CONTOOL-30](#) [Y-CONTOOL-20](#) [Y-ConPlug-11](#) [NP89-21004-G4-BF](#) [IC51-2084-1052-1](#) [IC189-0162-019](#) [IC201-0644-003](#) [IC51-0324-1498](#) [IC51-0202-779](#) [IC51-1764-1505-5](#) [CN121F-104-0001](#) [NFS-60A-0111BF](#) [CN121S-056-0001](#) [IC51-0804-956-2](#) [IC149-208-161-B5](#) [IC149-064-075-B5](#) [IC51-0324-453](#) [IC51-0804-808](#) [CAU120-038-D100](#) [IC51-1244-410-1](#) [CN121G-056-0002](#) [CN168G-124-0002](#) [NP351-18464-1-1](#) [IC550-0404-012-G](#) [CA009-1400-001](#) [SCREW M2.0-8](#) [CN121F-056-0002](#) [IC120-0284-508](#) [IC149-100-025-B5](#) [NFS-16A-0110](#) [IC51-0444-798](#) [IC51-0562-2144](#) [IC51-1004-814-2](#) [IC357-1004-053](#)