

# P2

## Panel Mounted

Keylock

### P2

mm) Ø 19.1	
tics	<ul style="list-style-type: none"><li>■ up to 12 contact pairs</li><li>■ 2 security options with key actuation</li><li>■ from 2 to 4 switch positions</li><li>■ key trapping option</li><li>■ solder terminals</li></ul>
ing	250 VAC, 2 A
mm) Ø 22	
ator	<ul style="list-style-type: none"><li>■ key (common or differs)</li></ul>
als	UL (optional)



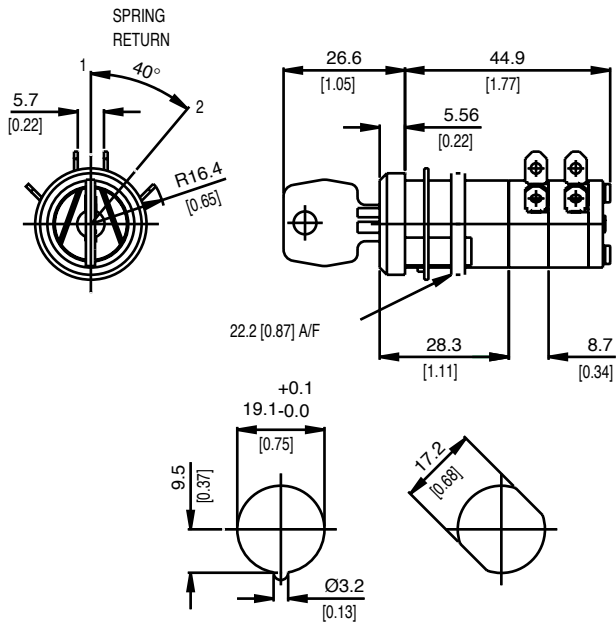
### Preferred Range

Reference	Terminal	Circuit	Actuator	Contacts	Electrical rating
006	Screws	2 pole CO	Key	Ag	Up to 250 VAC, 2 A
009	Screws	2 pole CO	Key	Ag	Up to 250 VAC, 2 A
009	Screws	2 pole CO	Key	Ag	Up to 250 VAC, 2 A
009	Screws	2 pole CO	Key	Ag	Up to 250 VAC, 2 A



## Specifications

Key	Nickel silver
Body	Glass-fibre reinforced nylon
Springs	Stainless steel
Contacts	Silver
Terminals	4.8 × 0.8 mm (0.19 × 0.032 in) faston (faston) - silver-plated brass
Temperature range °C	-20°C to +85°C
Mechanical life	50,000 operations (minimum)
Mounting	Locknut and washer
Actuators	General duty keylocks
Switching function	Change-over (spring return), change-over (separate circuits)
Key indexing	90°



## Recommended maximum electrical ratings

Voltage (max)	Resistive load (A)	Inductive load	Horsepower	Approval
125 VAC	4 (0.75 pf)	-	-	UL 1054/CSA 22.2 No. 55 - 6,000 operations
250 VAC	2 (0.75 pf)	2	-	UL 1054/CSA 22.2 No. 55 - 6,000 operations
12 VDC	10	-	-	UL 1054/CSA 22.2 No. 55 - 6,000 operations

## Operating Characteristics

Switching function	Reference	Actuator Type	Code	Key trapping	Diagram
2 pole change-over, spring return	P23FBA206 P23FMA206	Key Key	001 Production run key coding	No No	
2 pole change-over, separate circuits	P23FBA209 P23FMA209	Key Key	001 Production run key coding	No No	
2 pole change-over, separate circuits	P23FBC209 P23DMC209	Key Key - increased security	001 Production run key coding	Yes Yes	

## Type coding key for standard products

Type	P2	Example: P2	3F	B	A	2	06
Color	3F	Key - general duty					
Code	B	001 key					
	M	Production run key coding					
Rating	A	Key removable in all positions					
	C	Key trapped horizontally, right					
Poles	2	2 poles					
Function	06	Change-over with spring return					
	09	Change-over with separate circuits					



# K2

## Panel Mounted

---

Keyswitches

### K2

---

mm) Ø 19.1	
tics	■ choice of off-on or change-over centre off or spring return options
	■ key trapping option
	■ solder terminals
ing	up to 250 VAC, 2 A
mm) Ø 22	
tor	■ key (common or differs)
als	UL and CSA

---



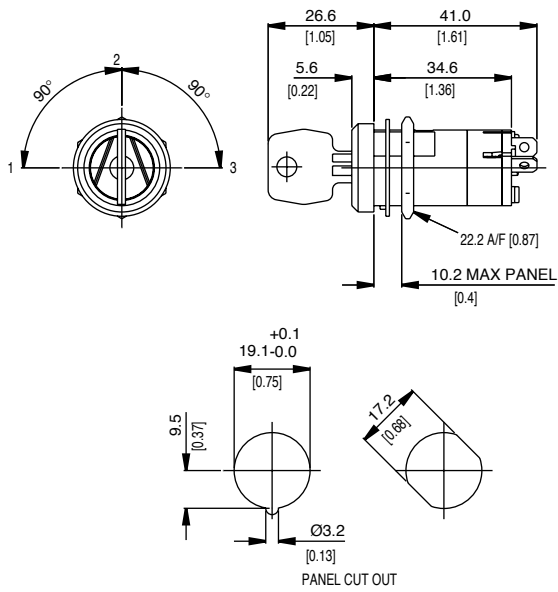
## Preferred Range

Terminal	Circuit	Actuator	Contacts	Electrical rating
01 Screws	2 pole off-on	Key	Ag	Up to 250 VAC, 2 A

---

## Specifications

Key	Nickel silver
Body	Glass-fibre reinforced nylon
Springs	Stainless steel
Contacts	Silver
Terminals	4.8 × 0.8 mm (0.19 × 0.032 in) faston (faston) - silver-plated brass
Temperature range °C	-20°C to +85°C
Mechanical life	50,000 operations (minimum)
Mounting	Locknut and washer
Actuators	General duty keylocks
Switching function	Off-on, change-over (centre off)
Key indexing	90°



## Recommended maximum electrical ratings

Voltage (max)	Resistive load (A)	Inductive load	Horsepower	Approval
125 VAC	4 (0.75 pf)	-	-	UL 1054/CSA 22.2 No. 55 - 6,000 operations
250 VAC	2 (0.75 pf)	-	-	UL 1054/CSA 22.2 No. 55 - 6,000 operations
12 VDC	10	-	-	UL 1054/CSA 22.2 No. 55 - 6,000 operations



# K2

## Operating Characteristics

Switching function	Reference	Actuator		Key trapping	Diagram
		Type	Code		
1 pole change-over with centre off	K23FBA123	Key	001	No	
2 pole off-on	K23FBA201	Key	001	No	

## Type coding key for standard products

Type	Code	Description	Example: K2   3F   B   A   2   01
Type	K2		Example: K2   3F   B   A   2   01
Actuators	3F	Key - general duty	
Code	B	001 key	
Switching	A	Key removable in all positions	
	C	Key trapped horizontally; right	
Poles	1	1 pole	
	2	2 poles	
Position	01	Off-on	
	23	Change-over with centre off	

## X-ON Electronics

Largest Supplier of Electrical and Electronic Components

*Click to view similar products for [saia-burgess](#) manufacturer:*

Other Similar products are found below :

[BVM3FYR-ULS](#) [XGG6-88](#) [KOP512KK7MWVPN00A](#) [BVM3FYULS](#) [B14HD-253-B-4](#) [B14HD-L-254-B-4](#) [B22M-255-M-36](#) [C5-267-B-1](#)  
[KOL251H7MKVPN00](#) [404019/464407](#) [XGG2-88-J22Z1](#) [KOP260F0MWVAN00](#) [KOL321H7MRVPN00](#) [414119/464407](#) [V9NLR1V-3.0M](#)  
[F4T7YCGPUL](#) [XCF5Z1](#) [XCG12-L1](#) [XGG2-88-S20Z1](#) [J84211213](#) [195225-230](#) [V3SYR1UL](#) [V9N](#) [P2/3FCC 209](#) [KOP170J7MWVPN00](#)  
[V4NCT7-A1](#) [F5T8GPUL](#) [UDS1UR6M50CANCZ183](#) [B14HD-254-B-4](#) [XCG10-J1Z1](#) [XCG5-J1Z1](#) [QA4/3260](#) [V4LSK2](#) [XGG2-88-J23Z1](#)  
[V4NC4SET9-NI1](#) [XCG11-J1Z1](#) [4BRSH](#) [B14HDP-253-B-4](#) [XCG13-L1](#) [B4HDM-253-M-36](#) [XCF8Z1](#) [KOL312H7MRVPN00](#) [V4NT8](#)  
[XGC2-88-J23](#) [XGC2-88-S20Z1](#) [195224-230](#) [282367-027](#) [V4NCT7-Y1](#) [195223-234](#) [195224-233](#)