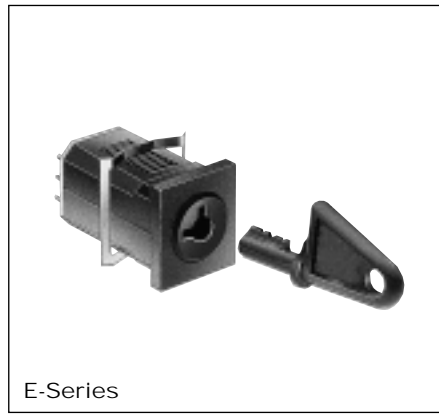
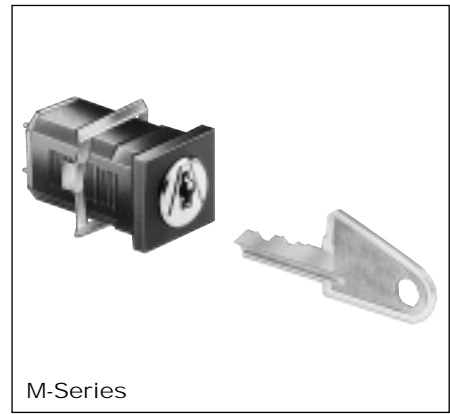


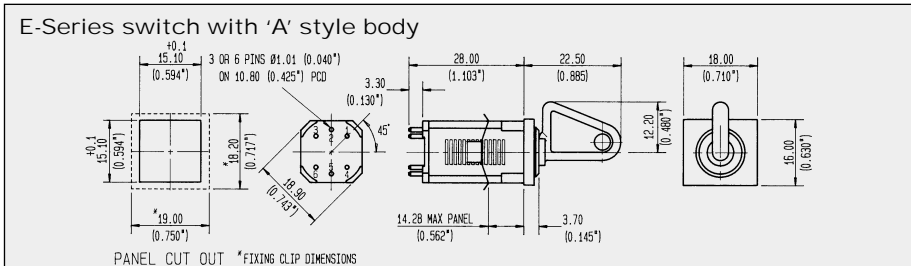
E-Series
M-Series



E-Series



M-Series



E-Series and M-Series

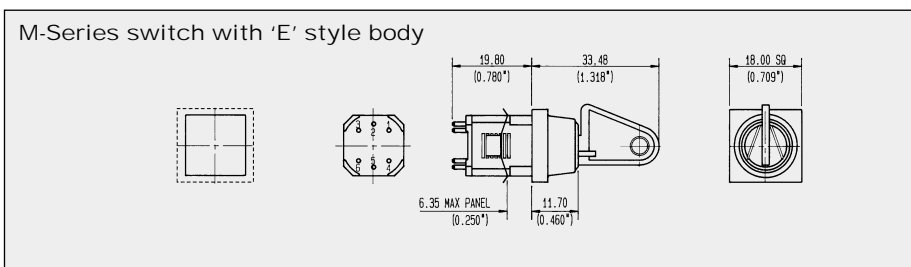
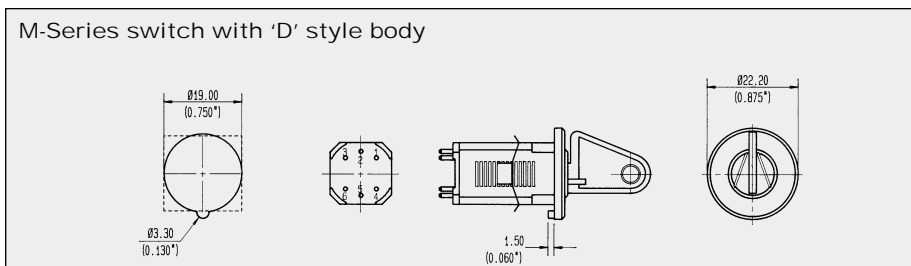
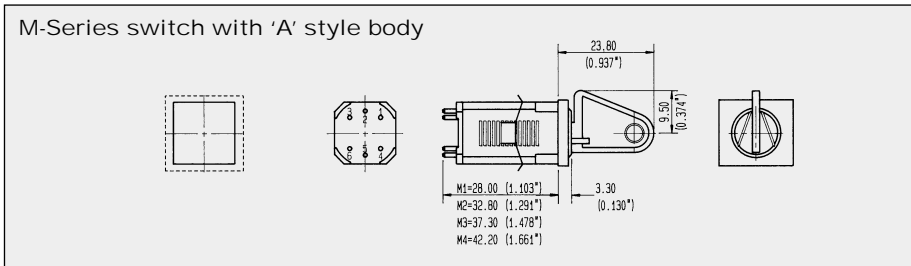
- Compact
- Simple clip mounting minimises installation time
- 3 body styles available
- Low current rating

E-Series

- All locks coded alike
- Glass-filled polyester switch housing, lock body and keys

M-Series

- Three lock coding options:
 - all locks alike – from 10 possible code choices
 - run-of-production coding – from a maximum of 200 codes
 - unique customer selected key code
- Glass-filled polyester switch housing, diecast lock body and metal keys



Specifications

Moulding material:
Glass-filled polyester (PBT)

Contacts:
Gold-plated phosphor-bronze
(moving contacts)
Gold-plated brass
(fixed contacts)

Terminals:
Gold-plated brass pins
1.01mm diameter x 3.30mm

Temperature range:
-20°C to +60°C

Mechanical life:
50,000 operations

Voltage proof:
1kV for 1 minute (terminals to earth)

Number of switch positions:
2, 3 or 4

Indexing:
90°
(40° for spring-biased actions)

Finish:
Matt black

Fixing:
Retaining clip

Recommended Max. Electrical Ratings		
Voltage	Resistive load	
VDC	mA	
30	100	

Product Range Operating Characteristics

E-Series M-Series

Keycode (M-Series only)	
Reference	Key number
B	001
M	Run-of-production coding, between 031 and 200
C	002
D	003
E	004
F	005
G	006
H	007
J	008
K	009
L	010
N	Unique customer selected code, between 011 and 030

Key trapping • Key trapped in indexed position				
Reference	←	↑	→	↓
A				
C			•	
Q	•		•	
B		•		
D				•
E	•			
F	•		•	•
G		•	•	•
H	•	•	•	
J	•	•		•
K		•	•	
L			•	•
M	•			•
N	•	•		
P		•		•

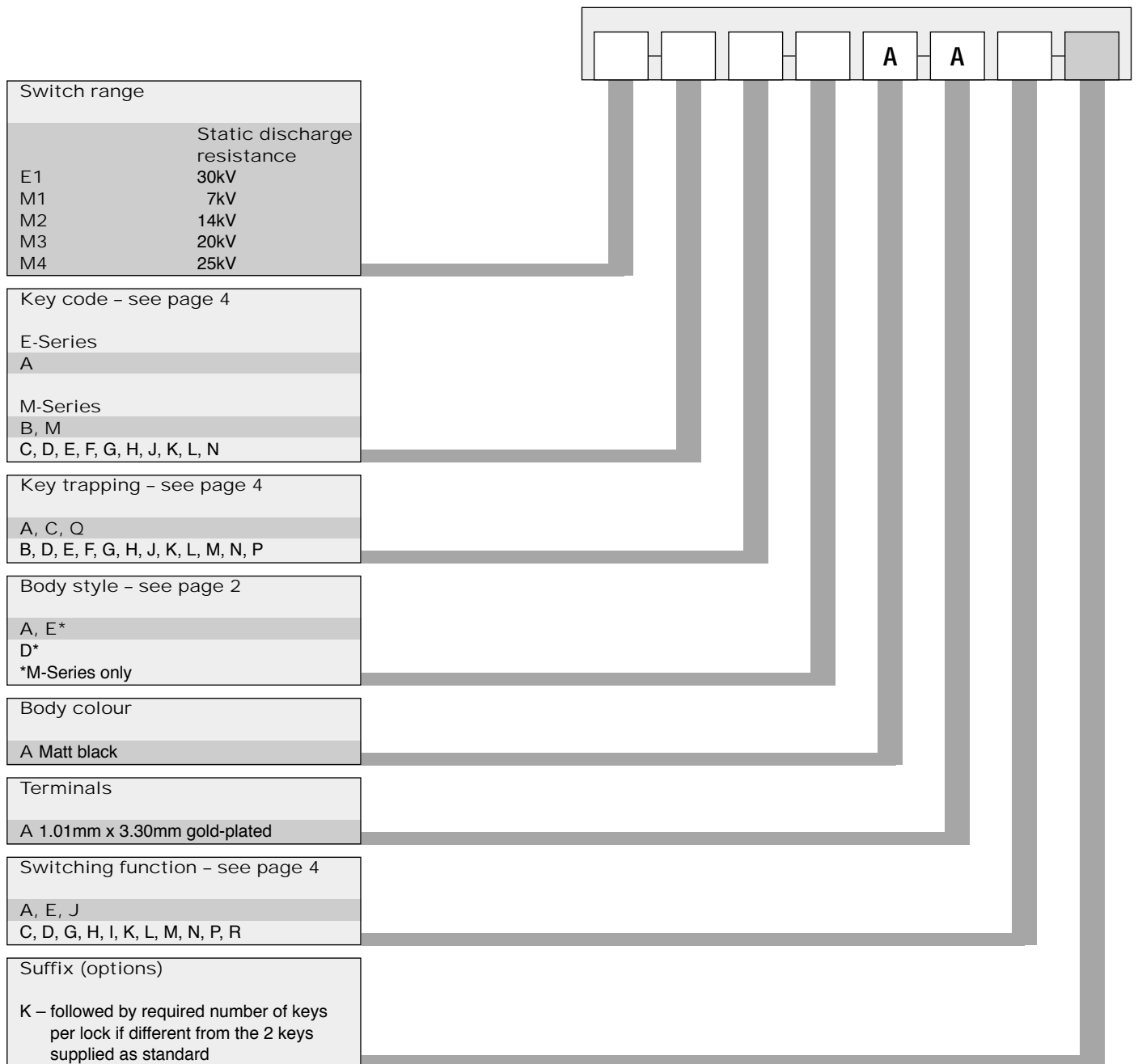
Switching function					
Reference	Switching function	←	↑	→	↓
A	Changeover Single pole		○—○ ○ 1 2 3	○ ○—○ 1 2 3	
E	Changeover Double pole		○—○ ○ ○—○ 1 2 3 1 2 3	○ ○—○ ○ ○—○ 4 5 6 4 5 6	
J	3 circuit selector	○—○ ○ ○ ○ ○	○ ○—○ ○ ○ ○	○ ○ ○ ○ ○—○	
C	3 position changeover Centre off Single pole	○—○ ○	○ ○ ○	○ ○—○	
D	1-1 and 2-2 Single pole Make-before-break	○—○ ○	○—○—○	○ ○—○	
G	Changeover Centre off Double pole	○—○ ○ ○—○ ○	○ ○ ○ ○ ○ ○	○ ○—○ ○ ○—○	
H	1-1 and 2-2 Double pole Make-before-break	○—○ ○ ○—○ ○	○—○—○ ○—○—○	○ ○—○ ○ ○—○	
I	0-1-2 Single pole	○ ○ ○	○—○ ○	○ ○—○	
K	4 circuit selector Fully rotary	○—○ ○ ○ ○ ○	○ ○—○ ○ ○ ○	○ ○ ○ ○ ○—○	○ ○ ○ ○—○ ○
L*	4 circuit selector Stopped between 9 and 12 o'clock	○—○ ○ ○ ○ ○	○ ○—○ ○ ○ ○	○ ○ ○ ○ ○—○	○ ○ ○ ○—○ ○
M	Off-on Spring-biased off Single pole		○ ○ ○	○ ○—○	
N	Off-on Spring-biased off Double pole		○ ○ ○ ○ ○ ○	○ ○—○ ○ ○—○	
P	Spring-biased to centre off Double pole	○—○ ○ ○—○ ○	○ ○ ○ ○ ○ ○	○ ○—○ ○ ○—○	
R	Changeover centre off Clockwise biased to centre off Single pole	○—○ ○	○ ○ ○	○ ○—○	

*M-Series only mom Momentary switching function – spring return mechanism

Standard	Dark shading
Option	Light shading

E-Series M-Series

Ordering References



X-ON Electronics

Largest Supplier of Electrical and Electronic Components

Click to view similar products for [saia-burgess](#) manufacturer:

Other Similar products are found below :

[BVM3FYR-ULS](#) [XGG6-88](#) [KOP512KK7MWVPN00A](#) [BVM3FYULS](#) [B14HD-253-B-4](#) [B14HD-L-254-B-4](#) [B22M-255-M-36](#) [C5-267-B-1](#)
[KOL251H7MKVPN00](#) [404019/464407](#) [XGG2-88-J22Z1](#) [KOP260F0MWVAN00](#) [KOL321H7MRVPN00](#) [414119/464407](#) [V9NLR1V-3.0M](#)
[F4T7YCGPUL](#) [XCF5Z1](#) [XCG12-L1](#) [XGG2-88-S20Z1](#) [J84211213](#) [195225-230](#) [V3SYR1UL](#) [V9N](#) [P2/3FCC 209](#) [KOP170J7MWVPN00](#)
[V4NCT7-A1](#) [F5T8GPUL](#) [UDS1UR6M50CANCZ183](#) [B14HD-254-B-4](#) [XCG10-J1Z1](#) [XCG5-J1Z1](#) [QA4/3260](#) [V4LSK2](#) [XGG2-88-J23Z1](#)
[V4NC4SET9-NI1](#) [XCG11-J1Z1](#) [4BRSH](#) [B14HDP-253-B-4](#) [XCG13-L1](#) [B4HDM-253-M-36](#) [XCF8Z1](#) [KOL312H7MRVPN00](#) [V4NT8](#)
[XGC2-88-J23](#) [XGC2-88-S20Z1](#) [195224-230](#) [282367-027](#) [V4NCT7-Y1](#) [195223-234](#) [195224-233](#)