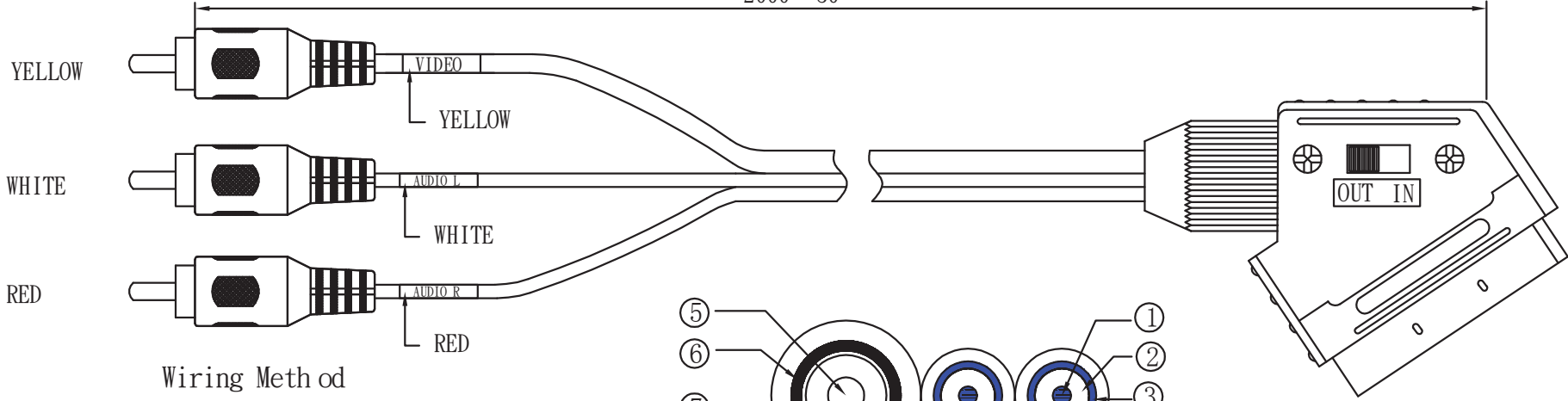
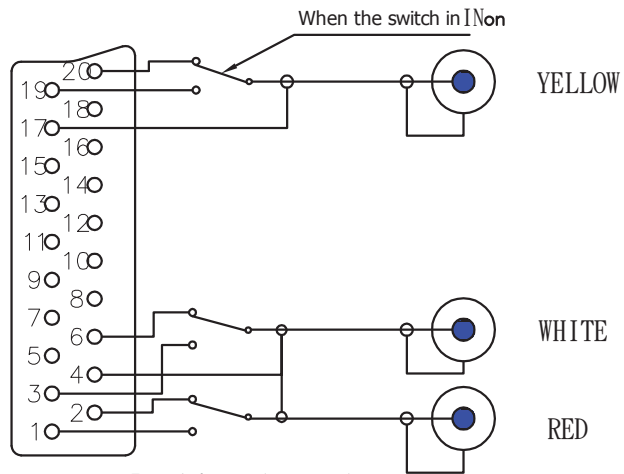


|                  |            |      |
|------------------|------------|------|
| FILE AMEND NOTE  | DATE       | REV. |
| ORIGINAL EDITION | 2012/11/08 | A/0  |

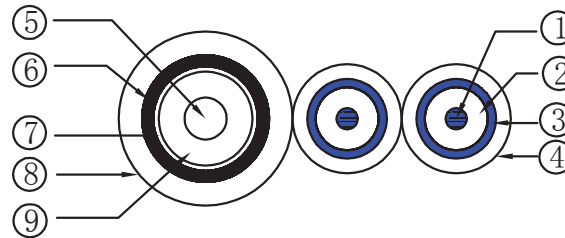
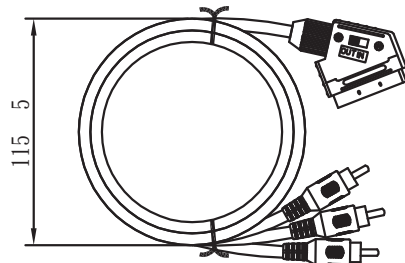
2000 30



Wiring Method



Packing length



|   |  |
|---|--|
| ① | 10x0.1 CCS                                 |
| ② | <input checked="" type="checkbox"/> pvc    |
| ③ | 28x0.1 CCS                                 |
| ④ | <input checked="" type="checkbox"/> .6 pvc |
| ⑤ | 0.5MM CCS                                  |
| ⑥ | 32x0.1 CCS woven                           |
| ⑦ | AL 0.035                                   |
| ⑧ | <input checked="" type="checkbox"/>        |
| ⑨ | 2.7 solid PE                               |

| NO. | ITEM NO. | EAN CODE:     | L    |
|-----|----------|---------------|------|
| 1   | CA1029   | 4052792008555 | 2,0m |

|              |                     |  |           |          |
|--------------|---------------------|--|-----------|----------|
| DRAW No.     | NAME                | Scart - RCA cable, 1X Scart male - 3x RCA male |           |          |
| CUSTOMER     | <b>2direct GmbH</b> | MAPE   | TOLERANCE |          |
| CUSTOMER No. |                     |  | X. 1.00   | X.X 0.50 |
| APPROVE BY   | CHECK BY            | DRAW BY  | SCALE     | MM       |
|              |                     |  | PAGE      | 1/2      |

| No. | PART NAME | DESCRIPTION | QTY | REMARK |
|-----|-----------|-------------|-----|--------|
|-----|-----------|-------------|-----|--------|

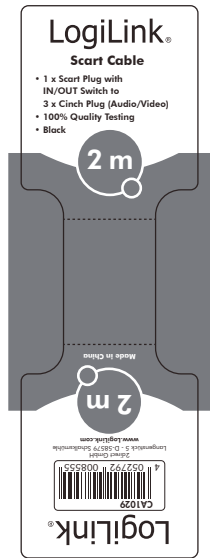
**PACKING DRAW:**

|                  |            |      |
|------------------|------------|------|
| FILE AMEND NOTE  | DATE       | REV. |
| ORIGINAL EDITION | 2012/11/08 | A/0  |

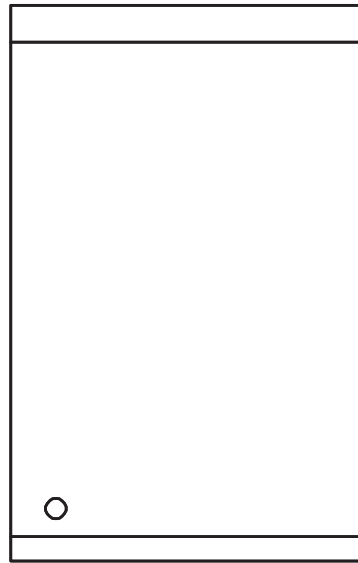


1PCS/BAG

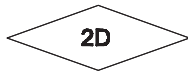
**STICKER**



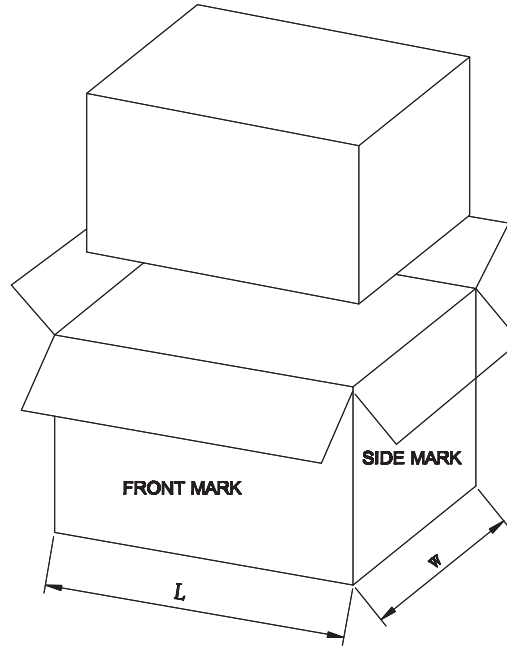
Pantone cool grey 9C, Black  
 Size: 48x150 mm R= 2mm  
 材質: 80P銅版紙, 上亮PP(光膠)



**OUTER CARTON FRONT MARK:**

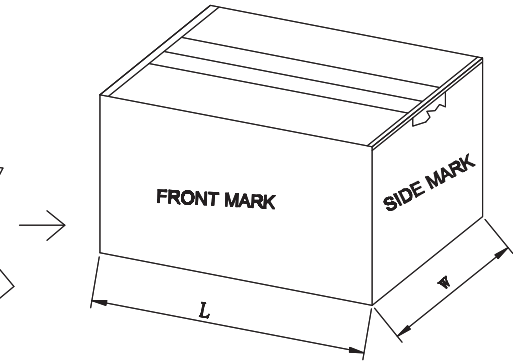


**GERMANY**  
**C/NO.:01,02...**  
**MADE IN CHINA**



**OUTER CARTON SIDE MARK:**

PO NO.:  
 ITEM NO.:  
 Q'TY: PCS  
 N.W: KGS  
 G.W: KGS  
 Dimension:  
 EAN CODE:



“I” shaped packaging  
 three packaging tape

**NOTE:**  
 Electrical test:  
 100% open short & miss wire test;

|              |              |  |           |           |
|--------------|--------------|--|-----------|-----------|
| DRAW No.     | NAME         | Scart - RCA cable, 1X Scart male - 3x RCA male |           |           |
| CUSTOMER     | 2direct GmbH | MAPE   | TOLERANCE |           |
| CUSTOMER No. |              |  | X. ±1.00  | X.X ±0.50 |
| APPROVE BY   | CHECK BY     | DRAW BY  | SCALE     | MM        |
|              |              |  | PAGE      | 2/2       |

| No. | PART NAME | DESCRIPTION | QTY | REMARK |
|-----|-----------|-------------|-----|--------|
|-----|-----------|-------------|-----|--------|

## X-ON Electronics

Largest Supplier of Electrical and Electronic Components

*Click to view similar products for [Audio Cables](#) / [Video Cables](#) / [RCA Cables](#) category:*

*Click to view products by [Logilink](#) manufacturer:*

Other Similar products are found below :

[59384500100E](#) [73-6310-10](#) [73-6311-10](#) [73-6313-3](#) [73-6313-6](#) [PCX-60-50](#) [RCA10RCA](#) [1-3737-600-3216](#) [15AK25X](#) [25FK25](#) [LF3BLX](#) [30-1511-10](#) [30AR30](#) [30AK30](#) [30AN30](#) [RCA05RCA](#) [RCA05RCAB](#) [RCA05TS](#) [RCA10RCAB](#) [420001400-3](#) [426058900-3](#) [TT6RX](#) [TT7BKX](#) [TT93602](#) [426058300-3](#) [LF1BKX](#) [LF3RX](#) [0887418300](#) [73-6312-6](#) [73-6314-3](#) [73-6352-3](#) [VMP3YX](#) [VMP2YX](#) [68767-0003](#) [TT746](#) [TT744](#) [CN13B](#) [LF4GNX](#) [LF2GYX](#) [426494200-3](#) [LF1RX](#) [VMPBNCF](#) [LF10GNX](#) [427492100-3](#) [LF4BLX](#) [TT747N2](#) [TT864](#) [LF2YX](#) [426491500-3](#) [426523700-3](#)