



# DC Ammeter Shunts

STD Accuracy  $\pm 0.25\%$

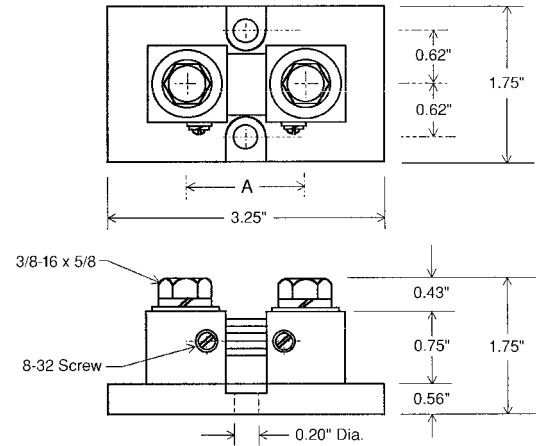
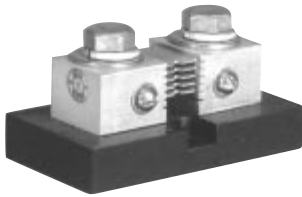
## TYPE LB: 170 through 600 Amperes

### TYPE LB: 50 mV

Catalog Number	AMP	A
LB-170-50	170	1.5
LB-200-50	200	1.5
LB-250-50	250	1.5
LB-300-50	300	1.5
LB-400-50	400	1.5
LB-450-50	450	1.5
LB-500-50	500	1.5
LB-600-50	600	1.5

### TYPE LB: 100 mV

Catalog Number	AMP	A
LB-170-100	170	2.07
LB-200-100	200	2.07
LB-250-100	250	2.07
LB-300-100	300	2.07
LB-400-100	400	2.07
LB-450-100	450	2.07
LB-500-100	500	2.07
LB-600-100	600	2.07



Tolerances  $\pm .015$  for the hole diameters. Other tolerances  $\pm .030$  unless specified.  
Dimensions subject to change without notice.

## **X-ON Electronics**

Largest Supplier of Electrical and Electronic Components

*Click to view similar products for [canadian shunt manufacturer](#):*

Other Similar products are found below :

[STA-31-301](#)