

Signal PCB Relay OUAZ

- 1 pole, 1A, 1form A (NO), 1 form C (CO)
- 2.54mm terminal pitch same as I.C. socket terminal pitch
- Gold overlay AgPd alloy contact suitable for low loads



Typical applications
Telecommunications, office machine



Approvals

UL E82292, CSA LR48471, TuV R50138762 (Z)
Technical data of approved types on request

Contact Data

Contact arrangement	1 form A (NO), 1 form C (CO)
Rated voltage	24VDC, 120VAC
Max. switching voltage	24VDC, 120VAC
Rated current	1A
Switching power	120VA, 30W
Contact material	AgPd Alloy
Min. recommended contact load	1mA at 1VDC
Initial contact resistance	50mΩ at 100mA, 6VDC
Frequency of operation	72000h ⁻¹
Operate/release time max.	
standard coil	5/7ms
sensitive coil	10/7ms
Electrical endurance	
1A, 120VAC, resistive,	100x10 ³ ops.
1A, 24VDC, resistive,	100x10 ³ ops.
Contact ratings	1A, 120VAC/24VDC
Mechanical endurance	10x10 ⁶ operations

Coil Data

Magnetic system	
Coil voltage range	5 to 24VDC

Coil Data (continued)

Coil versions, DC coil

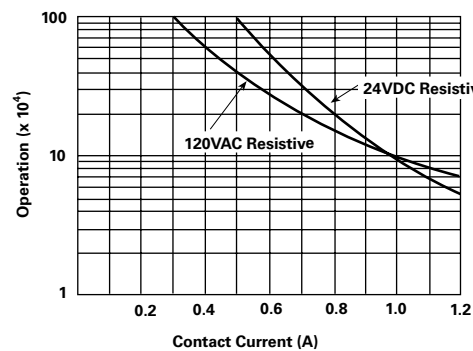
Coil code	Rated voltage VDC	Operate voltage VDC	Release voltage VDC	Coil resistance Ω±10%	Rated coil power mW
Standard coil, 450mW					
05	5	3.5	0.25	55	450
06	6	4.2	0.3	80	450
09	9	6.3	0.45	180	450
12	12	8.4	0.6	320	450
24	24	16.8	1.2	1.280	450
Sensitive coil, 200mW					
05	5	3.75	0.5	125	200
06	6	4.5	0.6	180	200
09	9	6.75	0.9	400	200
12	12	9.0	1.2	700	200
24	24	18.0	2.4	2800	200

All figures are given for coil without pre-energization, at ambient temperature +23°C.

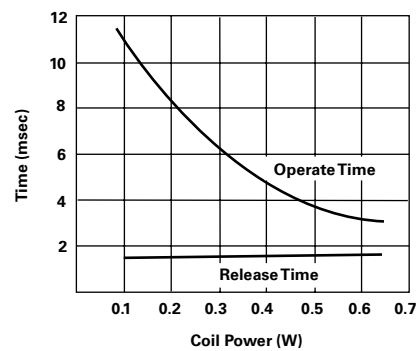
Insulation Data

Initial dielectric strength	
between open contacts	500V _{rms}
between contact and coil	1000V _{rms}
high insulation version (Z)	1500V _{rms}
Initial surge withstand voltage	
between contact and coil	1500V (10/160μs)
Clearance/creepage	
between contact and coil	1.5/1.76mm

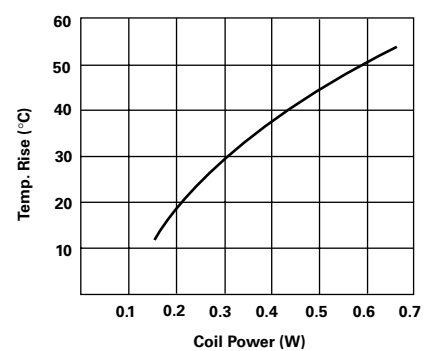
Electrical endurance



Operate time



Coil temperature rise



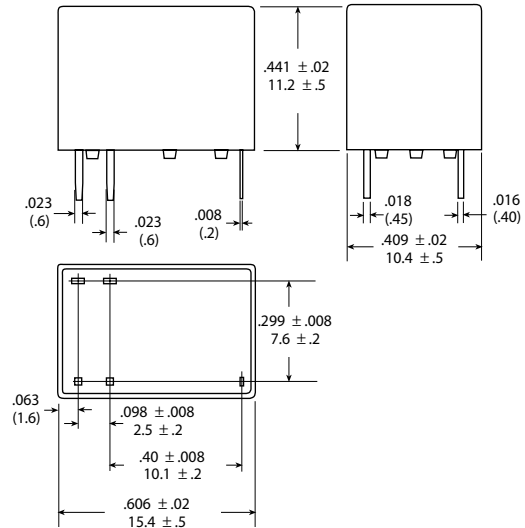
Signal PCB Relay OUAZ (Continued)

Other Data

Material compliance: EU RoHS/ELV, China RoHS, REACH, Halogen content refer to the Product Compliance Support Center at www.te.com/customersupport/rohssupportcenter

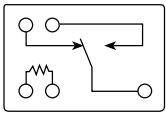
Ambient temperature	
standard coil	-30 to 60°C
sensitive coil	-30 to 70°C
Category of environmental protection	IEC 61810
	RTII - flux proof, RTIII - wash tight
Vibration resistance (functional)	10-50Hz, 1.5mm double amplitude
Shock resistance (functional)	
IEC 60068-2-27 (half sine)	98m/s ² , 11ms
Terminal type	PCB-THT
Weight	3.5g
Resistance to soldering heat THT	
IEC 60068-2-20	260°C/5s
Packaging/unit	tube/25 pcs., box/2000 pcs.

Dimensions



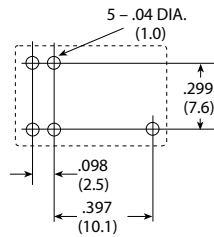
Terminal assignment

Bottom view on solder pins



PCB layout

Bottom view on solder pins



Product code structure

Typical product code **OUAZ -SS 1 12 D M ,900**

Type	OUAZ Signal PCB Relay OUAZ	
Sealing	SS Flux proof	SH Wash tight
Pole	1 1pole	
Coil	coil code: please refer to coil versions table	
Coil Power	D Standard 540mW	L Sensitive 200mW
Contact Arrangement	Blank 1 form C (CO)	M 1 form A (NO)
Insulation	Blank Standard	Z High Insulation (1500V)
Suffix	,900 Standard	,800 High Insulation (1500V)

Product code	Version	Contact	Cont.material	Coil power	Coil voltage	Sealing	Part number
OUAZ-SS-105D,900	1A	1 form C (CO)	AgPd Alloy	450mW	5VDC	Flux proof	8-1419130-3
OUAZ-SS-112D,900				450mW	12VDC		5-1419145-7
OUAZ-SS-124D,900				450mW	24VDC		1461015-1
OUAZ-SS-105L,900				200mW	5VDC		8-1419130-6
OUAZ-SS-112L,900				200mW	12VDC		1419131-5
OUAZ-SS-124L,900				200mW	24VDC		1-1419131-1
OUAZ-SH-105D,900				450mW	5VDC	Wash tight	3-1419145-9
OUAZ-SH-112D,900				450mW	12VDC		5-1419130-6
OUAZ-SH-124D,900				450mW	24VDC		1461015-4
OUAZ-SH-105L,900				200mW	5VDC		4-1419145-0
OUAZ-SH-112L,900				200mW	12VDC		6-1419130-5
OUAZ-SH-124L,900				200mW	24VDC		4-1419145-8

X-ON Electronics

Largest Supplier of Electrical and Electronic Components

Click to view similar products for [TE Connectivity](#) manufacturer:

Other Similar products are found below :

[D38999/24FJ4AN](#) [1-2000677-8](#) [SMD100-2](#) [D38999/20WJ43BD](#) [4-176756-8](#) [983-6SE22-12S7-L](#) [D38999/24ZE35PN](#) [DJT10F17-26HN](#) [5-1437490-9](#) [7022X3H](#) [983-6SE18-14P9-L](#) [AFD50-16-23SN-6116-LC](#) [603995-1](#) [D38999/24WF32JE](#) [D38999/24WF32SE-LC](#) [DTS24W19-32HE](#) [D38999/20WD19SB-LC](#) [842723N001](#) [213904-1](#) [C1177A](#) [AFD51-18-32PW-6116-LC](#) [D38999/24FD19PD](#) [D38999/24FD19PD-LC](#) [D38999/24FF32BA](#) [D38999/26WH21PB-LC](#) [D38999/20FH21PE](#) [D38999/20FH21PE-LC](#) [D38999/24FH21PN](#) [DTS20F23-21PE](#) [D38999/20FH21PB-LC](#) [D38999/26FJ35PE](#) [D38999/32Z15N](#) [DTS26W9-35JB-LC](#) [D38999/26JJ29JN](#) [102976-7](#) [D38999/20FJ4SB-LC](#) [1-2322421-6](#) [D38999/20FJ24SB-LC](#) [MS3474L12-10P-LC](#) [MS3474L12-10PW-LC](#) [MS27467T21F16P-LC](#) [D50184-000](#) [WINTOTAL-6-END-USER-LICENCE](#) [164-8033-08](#) [DTS26W17-99HA](#) [MS27468T17F26H](#) [DJT14F17-26HN](#) [DJT14F17-26HB](#) [AFD58-24-61PY-1A](#) [983-6SE18-14S7-L](#)