

THIS DOCUMENT IS SUBJECT TO CHANGE WITHOUT NOTICE. IT IS CONFIDENTIAL AND A PROPERTY OF Amphphenol LTW. DISCLOSURE TO THIRD PARTY HAS TO BE AUTHORIZED BY Amphphenol LTW.

8 FMMW0702-01-01A2

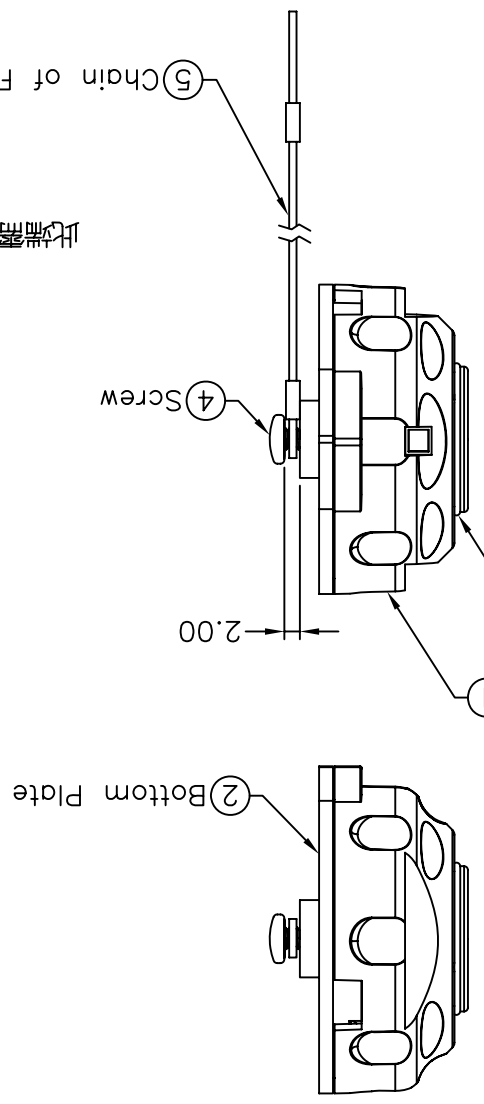
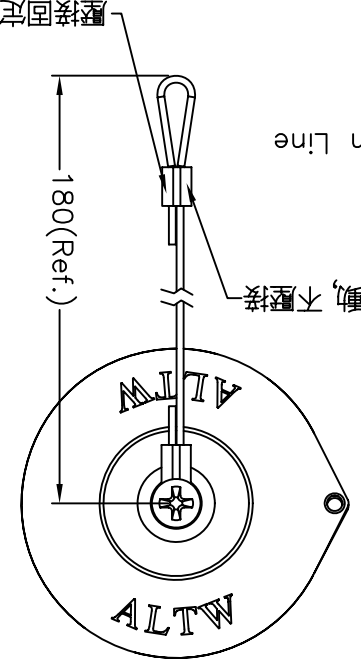
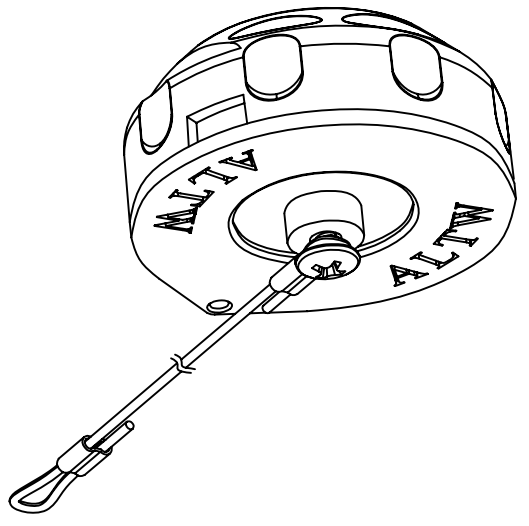
DATE	2011/07/19	APPROVED BY	Victor
DATE	2011/07/19	CHECKED BY	Doreen
DATE	2011/07/19	DRAWN BY	Micky

REV.	ECN NO.	DATE	SIGN	DESCRIPTION

ITEM NO	LTWCAP-WPVMCLD1	ITEM NO	LTWCAP-WPVMCLD1
DWG NO	LTWCAP-WPVMCLD1	DWG NO	LTWCAP-WPVMCLD1
CUSTOMER	安費諾亮泰企業股份有限公司	CUSTOMER	安費諾亮泰企業股份有限公司

REV.	SIZE	SCALE	TITLE
A4	A	Free	WATERPROOF CAP FOR PM II F/M CON

Note:
 * @Important Dimensions.
 * Waterproof Rate: IP68.
 * Cap: PE, Black
 * O-ring: Silicone, Gray.
 * Screw: Stainless.
 * Fish Line: Nylon.
 * One Set in One PE Bag.
 Part of Fish Line: Stainless.



UNIT:mm
 TOLERANCE
 ±0.25
 ±0.1
 ±0.05
 ±1
 ANGLES
 XXX
 XX
 X

X-ON Electronics

Largest Supplier of Electrical and Electronic Components

Click to view similar products for [AC Power Entry Modules](#) category:

Click to view products by [Amphenol](#) manufacturer:

Other Similar products are found below :

[0098.0050](#) [6-1609987-9](#) [6167.0002](#) [7-6609955-2](#) [FN389-4-22](#) [FN9233ER-12-06](#) [FN9233S1-10-06](#) [FN9233S1-8-06](#) [FN9233S1B-8-06](#)
[FN9233S1R-1-06](#) [FN9233S1R-12-06](#) [FN9233SB-1-06](#) [FN9233SB-12-06](#) [FN9233SB-8-06](#) [FN9233SR-10-06](#) [FN9233SR-3-06](#) [FN9244B-15-06](#)
[HI](#) [FN9244EB-3-06](#) [FN9244EB-8-06](#) [FN9244ER-15-06](#) [FN9244ER-8-06](#) [FN9244ES1-8-06](#) [FN9244ESB-8-06](#) [FN9244EU-6-06](#)
[FN9244R-12-06](#) [FN9244R-3-07](#) [FN9244R-8-06](#) [FN9244S1-10-06](#) [FN9244S1-12-06](#) [FN9244S1-3-06](#) [FN9244S1B-6-06](#) [FN9244S1R-3-06](#)
[FN9244S-6-06](#) [FN9244SB-10-06](#) [FN9244SB-6-06](#) [FN9244SB-8-06](#) [FN9244SR-10-06](#) [FN9244SR-6-06](#) [FN9244U-3-06](#) [FN9244U-8-06](#)
[FN9260A-6-06](#) [PE00SSSXB](#) [Fuse-H-EUR-1](#) [Fuse-H-USA-1](#) [PM00XD000](#) [PS0SSDBX0](#) [PS0SXSH3B](#) [A-0701-HT-H](#) [RAPC3FG](#) [15EJMS8](#)