

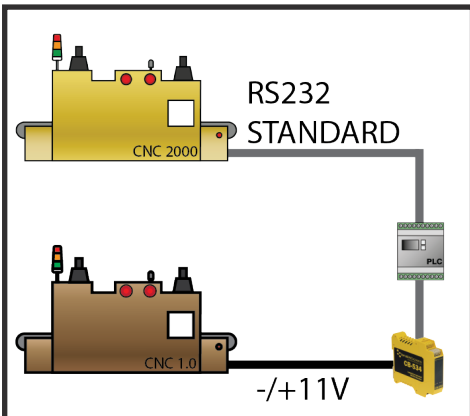
# CB-534 Industrial Isolated RS232 Booster

## RS232 Booster

- Boosts and isolates RS232 signals
- Max baud rate 120,000
- Works at all data word lengths, parity options and stop bit combinations
- -30°C to +80°C / -22°F to +176°F Temperature range

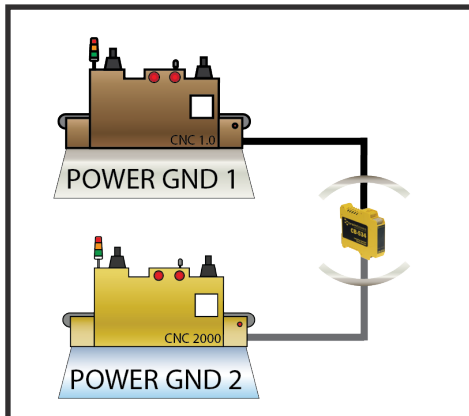


	ISOLATION	OUTPUT SWING -11V to +11V	RS232	RS422/485	PROTOCOL CONVERSION	MAX BAUD
CB-512	✓	✗	✓	✓	✓	1 Mb
CB-523	✗	✗	✓	✓	✓	1 Mb
CB-534	✓	✓	✓	✗	✗	120 kb



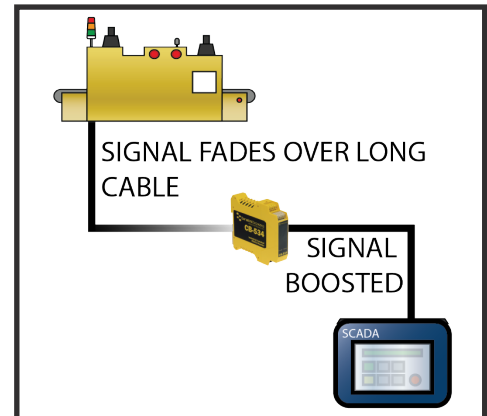
### Connect to legacy equipment

Some machines require a larger voltage input than the RS232 standard. The CB-534 conditions the signal to make it suitable for legacy equipment.



### Protect with Isolation

CB-534 isolates the connected devices from each other. This protects against relative differences in ground voltages.



### Boost RS232 signal

RS232 signal can degrade over long cable runs. The CB-534 boosts the RS232 signal enabling additional distance between connections.

# CB-534

## Industrial Isolated RS232 Booster



Booster for RS232 signal can extend cable length. Works with a wide voltage swing and outputs -11V to +11V signal making it suitable for legacy and non-conforming RS232 equipment. Provides isolation between two RS232 devices. This product doesn't require any software, simply connect using the easy-wire numbered terminal blocks.

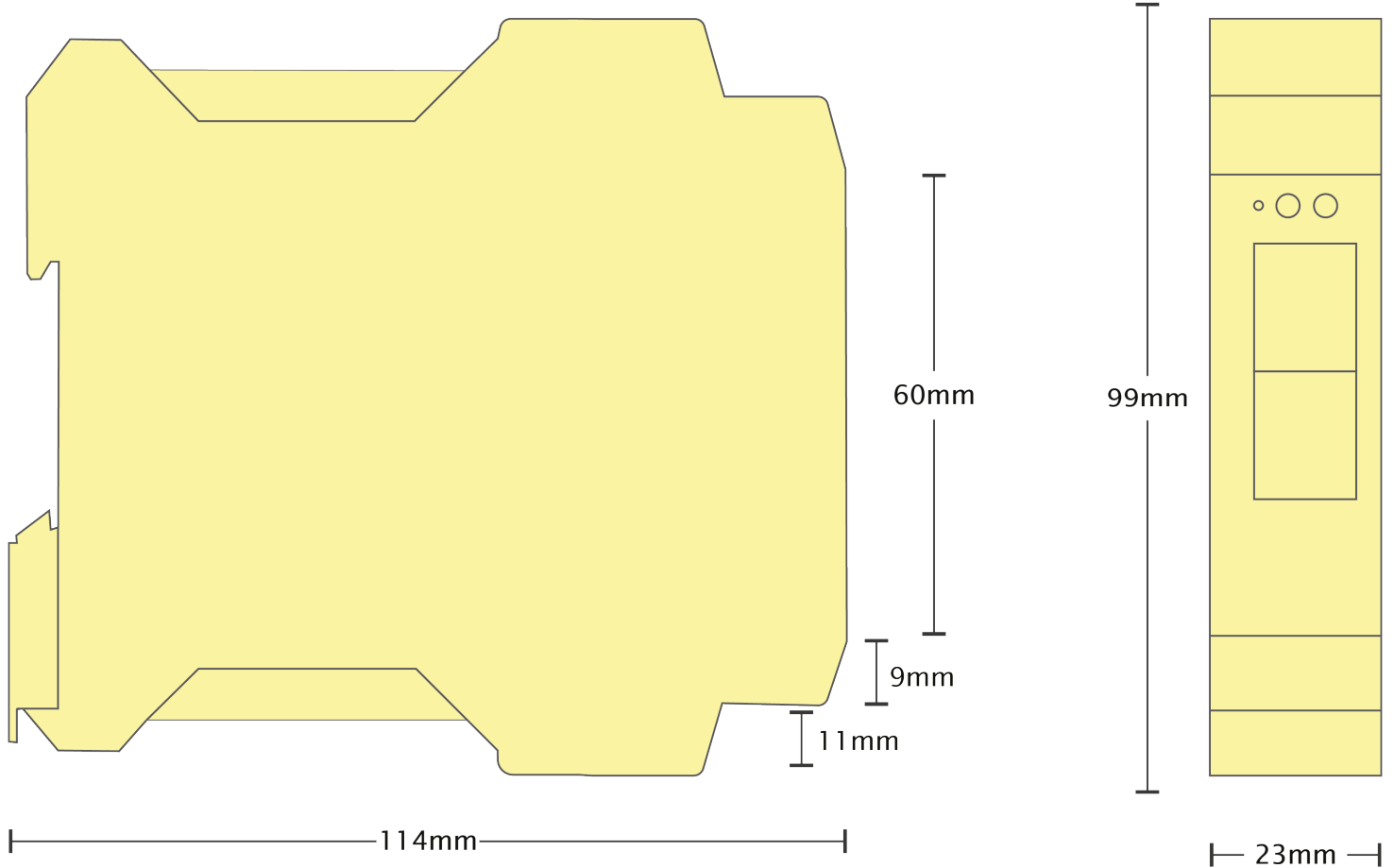
<b>Connectors</b>	
Screw Terminals	3.5mm pitch, #22 - #14, 0.5mm <sup>2</sup> -2.5mm <sup>2</sup> pin
Conductor Wire	28 to 16 AWG, 0.14mm to 1.5mm Max
<b>Environmental</b>	
Operating Temperature	-30°C to +80°C / -22°F to +176°F
Storage Temperature	-40°C to +85°C / -40°F to +185°F
Ambient Relative Humidity	5 to 95% (non-condensing)
<b>Serial Port</b>	
Ports	2 RS232
<b>Port Settings</b>	
Baud Rate	120,000 max
Output signal swing	Typ. +/- 11V into RS-232 compliant load
Signals supported	TXD, RXD, RTS, CTS
<b>Power Supply</b>	
Power Supply input	Redundant DC Dual Power Inputs, reverse polarity protected +5 VDC to +30VDC
Power Consumption	2.5 Watt typical 110mA@24V

# CB-534

## Industrial Isolated RS232 Booster

Housing

IP-20 rated non-conducting polyamide case



Terminal Block Pin Outs: Yellow: Port 1 / Grey: Port 2

	Pin 1	Pin 2	Pin 3	Pin 4	Pin 5
RS232	SIG GND	CTS	RxD	RTS	TxD
Black: +5V to +30V DC Power Input					
Power	-V	+VA	+VB	-V	Func GND

### Lifetime Warranty and Support:

We can help with every aspect of your project, from getting you up and running to custom application.

## CB-534

## Industrial Isolated RS232 Booster

### Packaging Information

Packaging	Installation CD including manual, Quick Start Guide, Device
Packaged Weight	0.206 kg, 7.27 ounces
Packaged Dims	160x135x49 mm, 6.3x5.3x1.9 inches
GTIN Universal Code	837324004045

### Approvals

Industry Approvals	Microsoft Certified Gold Partner, WEEE, RoHS, AEO (C-TPAT), CE
--------------------	--

### Product Support

Warranty	Lifetime - online registration required
Support	Lifetime Web, Email and Phone Support from fully qualified, friendly staff who work in and alongside the Product Development Team

### Additional Information

OEM option	Available for bulk buy OEM
Made In	Manufactured in the UK by Brainboxes Winner 2005 European Electronics Industry Awards 'Manufacturer of the Year'
Customisable	Brainboxes operate a 'Perfect Fit Custom Design' policy for volume users. More info:sales@brainboxes.com



### PW-600

Power supply with connectors for UK, USA, EU and AUS mains socket. 'Tails' are suitable for connecting to screw terminal blocks.



### PW-650

Power supply with USB connector and prewired screw terminal block. Suitable for use with 5V USB ports.



### ES Range

Ethernet to Serial products are available in a range of formats and specifications.

[www.brainboxes.com](http://www.brainboxes.com)

## X-ON Electronics

Largest Supplier of Electrical and Electronic Components

*Click to view similar products for [Controllers](#) category:*

*Click to view products by [Brainboxes](#) manufacturer:*

Other Similar products are found below :

[CS1WCN223](#) [CS1WCN713](#) [CS1WKS001E](#) [61F-11NH](#) [61FGPN8DAC120](#) [61F-GP-NT AC110](#) [61F-GPN-V50-AC110](#) [70177-1011](#) [F03-03](#)  
[HAS B](#) [F03-03 HAS C](#) [F03-31](#) [81513201](#) [81513535](#) [81550401](#) [FT1A-C12RA-W](#) [88981106](#) [H2CAC24A](#) [R88A-CAGA005S](#) [R88A-](#)  
[CRGB003CR-E](#) [R88ARR080100S](#) [R88A-TK01K](#) [DCN1-1](#) [DTB4896VRE](#) [DTB9696CVE](#) [DTB9696LVE](#) [MR-50LF+](#) [E53-AZ01](#) [E53E8C](#)  
[E5CWLQ1TCAC100240](#) [B300LKL21](#) [NE1ASCPU02EIPVER11](#) [NE1SCPU01](#) [NE1SDRM21U](#) [NSCXDC1V3](#) [NSH5-232CW-3M](#)  
[NT20SST122BV1](#) [NV3Q-SW41](#) [NV4W-ATT01](#) [NV-CN001](#) [OAS-160-N](#) [K31S6](#) [K33-L1B](#) [K3TX-AD31A](#) [L595020](#) [SRS2-1](#) [G32X-V2K](#)  
[26546803](#) [26546805](#) [26546831](#) [CJ1W-OD204](#)