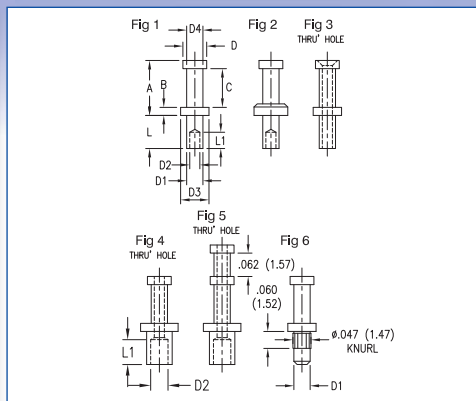
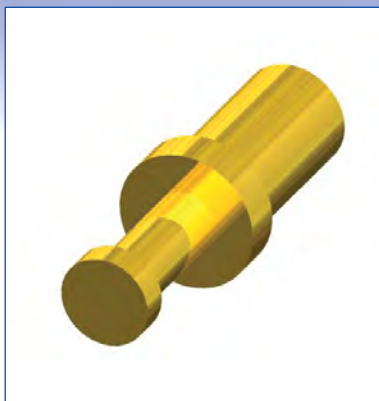


SOLDER TERMINALS - TURRET



Dimensions in inches (mm)
See page 92/93 for recommended
Anvil and Punch

How to order code

160 - XXXX - XX - XX - 00

Basic Part No.

Finish

Material Code Table		
Component	Material	RoHS
Terminal	Brass	✓

Finish Code Table		
Dash No.	Finish	RoHS
-01	Silver	✓
-03	Gold over Nickel	✓
-04	Electro-Tin	✓
-05	Electro-Solder	X

Fig.	Basic Part No.	L	Board Thickness	A	B	C	D	D1	D2	D3	D4	L1	Mtg. Hole Diameter
1	160-2085 -11	.035 (0.89)	.016 (0.40)	.094 (2.39)	.018 (0.46)	.063 (1.60)	.040 (1.02)	.047 (1.19)	.028 (0.71)	.062 (1.57)	.027 (0.69)	.032 (0.81)	.052 (1.32)
	-01	.051 (1.30)	.031 (0.79)										
	-02	.082 (2.08)	.062 (1.57)										
	-03	.113 (2.87)	.094 (2.39)										
	-04	.145 (3.68)	.125 (3.18)										
	160-1604 -11	.025 (0.64)	.016 (0.40)	.093 (2.36)	.025 (0.64)	.045 (1.14)	.062 (1.57)	.062 (1.57)	.046 (1.17)	.094 (2.39)	.045 (1.14)	.020 (0.51)	.067 (1.70)
	-01	.045 (1.14)	.031 (0.79)									.040 (1.02)	
	-02	.094 (2.39)	.062 (1.57)									.089 (2.26)	
2	160-1457 -01	.078 (1.98)	.031 (0.79)	.187 (4.75)	.047 (1.19)	.115 (2.92)	.075 (1.91)	.078 (1.98)	.055 (1.40)	.125 (3.18)	.040 (1.02)	.068 (1.73)	.082 (2.08)
	-02	.109 (2.77)	.062 (1.57)									.098 (2.49)	
	-03	.141 (3.58)	.094 (2.39)										
	-04	.172 (4.37)	.125 (3.18)										
	160-1245 -01	.078 (1.98)	.031 (0.79)	.234 (5.94)	.047 (1.19)	.156 (3.96)	.145 (3.68)	.112 (2.84)	.076 (1.93)	.188 (4.78)	.065 (1.65)	.068 (1.73)	.116 (2.95)
	-02	.109 (2.77)	.062 (1.57)									.098 (2.49)	
	-03	.141 (3.58)	.094 (2.39)										
	-04	.172 (4.37)	.125 (3.18)										
3	160-1512 -02	.084 (2.13)	.062 (1.57)	.156 (3.96)	.040 (1.02)	.091 (2.31)	.093 (2.36)	.062 (1.57)	.043 (1.09)	.125 (3.18)	.062 (1.57)	-	.067 (1.70)
	-03	.115 (2.92)	.094 (2.39)										
	-04	.147 (3.73)	.125 (3.18)										
	160-2027 -01	.063 (1.60)	.031 (0.79)	.187 (4.75)	.035 (0.89)	.125 (3.18)	.096 (2.44)	.071 (1.80)	.043 (1.09)	.125 (3.18)	.071 (1.80)	-	.076 (1.93)
	-02	.094 (2.39)	.062 (1.57)										
	-03	.125 (3.18)	.094 (2.39)										
	-04	.156 (3.96)	.125 (3.18)										
	160-1797 -01	.078 (1.98)	.031 (0.79)	.188 (4.78)	.047 (1.19)	.109 (2.77)	.138 (3.51)	.110 (2.79)	.067 (1.70)	.188 (4.78)	.110 (2.79)	-	.113 (2.87)
	-02	.109 (2.77)	.062 (1.57)										
	-03	.141 (3.58)	.094 (2.39)										
	-04	.172 (4.37)	.125 (3.18)										
	4	160-2100 -11	.025 (0.64)	.016 (0.40)	.093 (2.36)	.025 (0.64)	.045 (1.14)	.062 (1.57)	.062 (1.57)	.046 (1.17)	.094 (2.39)	.045 (1.14)	.020 (0.51)
-01		.045 (1.14)	.031 (0.79)									.040 (1.02)	
-02		.094 (2.39)	.062 (1.57)									.089 (2.26)	
-03		.125 (3.18)	.094 (2.39)										
5	160-1798 -02	.109 (2.77)	.062 (1.57)	.312 (7.92)	.031 (0.79)	.157 (3.99)	.110 (2.79)	.135 (3.43)	.107 (2.72)	.188 (4.78)	.088 (2.24)	.098 (2.49)	.141 (3.57)
	-03	.141 (3.58)	.094 (2.39)										
	-04	.172 (4.37)	.125 (3.18)										
6	160-3747 -01	.130 (3.30)	.062 (1.57)	.135 (3.43)	.035 (0.89)	.080 (2.03)	.053 (1.35)	.053 (1.36)	-	.063 (1.60)	.038 (0.97)	-	.055 (1.40)

X-ON Electronics

Largest Supplier of Electrical and Electronic Components

Click to view similar products for [Cambion](#) manufacturer:

Other Similar products are found below :

[570-1990-01-01-00](#) [570-1511-01-01-19](#) [450-8340-01-06-00](#) [450-8325-01-06-00](#) [450-3367-01-04-00](#) [571-4182-03-01-19](#) [571-4015-01-01-19](#)
[945-8078-01-04-00](#) [160-1512-02-01-00](#) [460-8250-01-03-00](#) [460-8250-01-04-00](#) [160-1582-02-01-00](#) [450-3388-01-03-00](#)