

DLP120-24-1 SPECIFICATIONS

CA734-01-01A

This specifications sheet also apply to option model /E, /EJ

ITEMS		MODE	DLP120-24-1	
1	Nominal Output Voltage	V	24	
2	Maximum Output Current	A	5	
3	Maximum Output Power	W	120	
4	Efficiency (100/230VAC) (Typ) (* 1)	%	83/85	
5	Input Voltage Range (* 2)	-	85~132/170~265VAC (Auto selectable) / 47~63Hz	
6	Input Current (100/230VAC) (Typ) (* 1)	A	2.9/1.3	
7	Inrush Current (100/230VAC) (Typ) (* 3)	-	20A at 100VAC, 45A at 230VAC, Ta=25°C, Cold Start	
8	PFHC	-	Built to meet IEC61000-3-2	
9	Output Voltage Range	V	21.6~28	
10	Maximum Ripple & Noise (* 4)	0≤Ta≤60°C	mV	240
		-10≤Ta<0°C	mV	360
11	Maximum Line Regulation (* 4, 5)	mV	120	
12	Maximum Load Regulation (* 4, 6)	mV	192	
13	Temperature Coefficient	-	Less than 0.05%/°C	
14	Over Current Protection (* 7)	A	5.3~	
15	Over Voltage Protection (* 8)	V	30.0~35.0	
16	Hold-Up Time (100/230VAC) (* 1)	-	20ms /30ms	
17	Leakage current (* 9)	-	Less than 0.75mA	
18	Parallel Operation	-	-	
19	Series Operation	-	Possible	
20	Operating Temperature (* 10)	-	- 10 ~ + 60 °C Convection: -10 ~ +50°C (100%); 60°C (60%)	
21	Operating Humidity	-	30 ~ 90 %RH (No dewdrop)	
22	Storage Temperature	-	- 30 ~ +85°C	
23	Storage Humidity	-	10 ~ 95%RH (No dewdrop)	
24	Cooling	-	Convection cooling	
25	Withstand Voltage	-	Input - Output : 3.0kVAC, Input - FG : 2.0kVAC (20mA) for 1min Output - FG : 500VAC (100mA) for 1min.	
26	Isolation Resistance	-	More than 100M Ω at Ta=25°C and 70%RH, Output - FG : 500VDC	
27	Vibration	-	At no operating and with DIN RAIL, 10~55Hz (Sweep for 1min) 9.8m/s ² Constant, X, Y, Z each 1hour	
28	Shock (In package)	-	Less than 196m/s ²	
29	Safety	-	Approved by UL60950, CSA60950, EN60950, UL508, CSA C22.2 No.14, EN50178 CATEGORY III(Primary). Built to meet DENAN.	
30	EMI	-	Built to meet VCCI-B, FCC-ClassB, EN55011/EN55022-B	
31	Immunity	-	Built to meet IEC61000-6-2 (IEC61000-4-2,-3,-4,-5,-6,-8,-11)	
32	Weight (Typ)	g	540	
33	Size (W.H.D.)	mm	60x97x110 (Refer to Outline Drawing)	

* Read instruction manual carefully , before using the power supply unit.

= NOTES=

* 1 : At 100/230VAC and maximum output power, Ta = 25°C.

* 2 : For cases where conformance to various safety specs (UL, CSA, EN) are required, to be described as 100-120VAC/200-240VAC, 50 / 60Hz on name plate.

* 3 : Not applicable for the in-rush current to Noise Filter for less than 0.2ms.

* 4 : Please refer to Fig A for measurement of line & load regulation and output ripple voltage.
(Measure with JEITA RC-9131 probe)

* 5 : 85-132VAC/170-265VAC, constant load.

* 6 : No load - Full load(Maximum power), constant input voltage.

* 7 : Constant current limit with automatic recovery.

Avoid to operate at overload or dead short for more than 30seconds.

* 8 : OVP circuit will shutdown output, manual reset. (Re Power on)

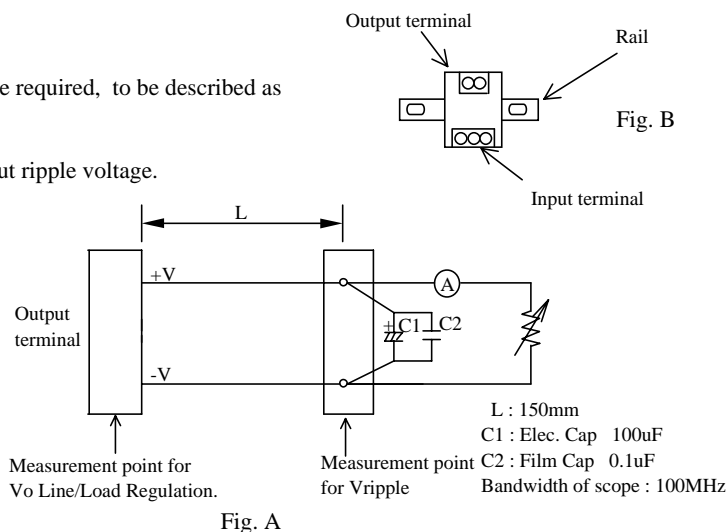
* 9 : Measured by each measuring method of UL, CSA, EN and

DENAN (at 60Hz).

*10: At standard mounting method, Fig B.

- Load(%) is percent of maximum output load (Item2 and 3), do not exceed derating in both Maximum Output Current and Power.

-For standard mounting, refer to derating curve (CA734-01-02_)



DLP120-24-1 OUTPUT DERATING

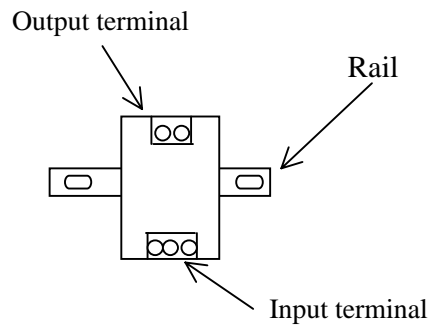
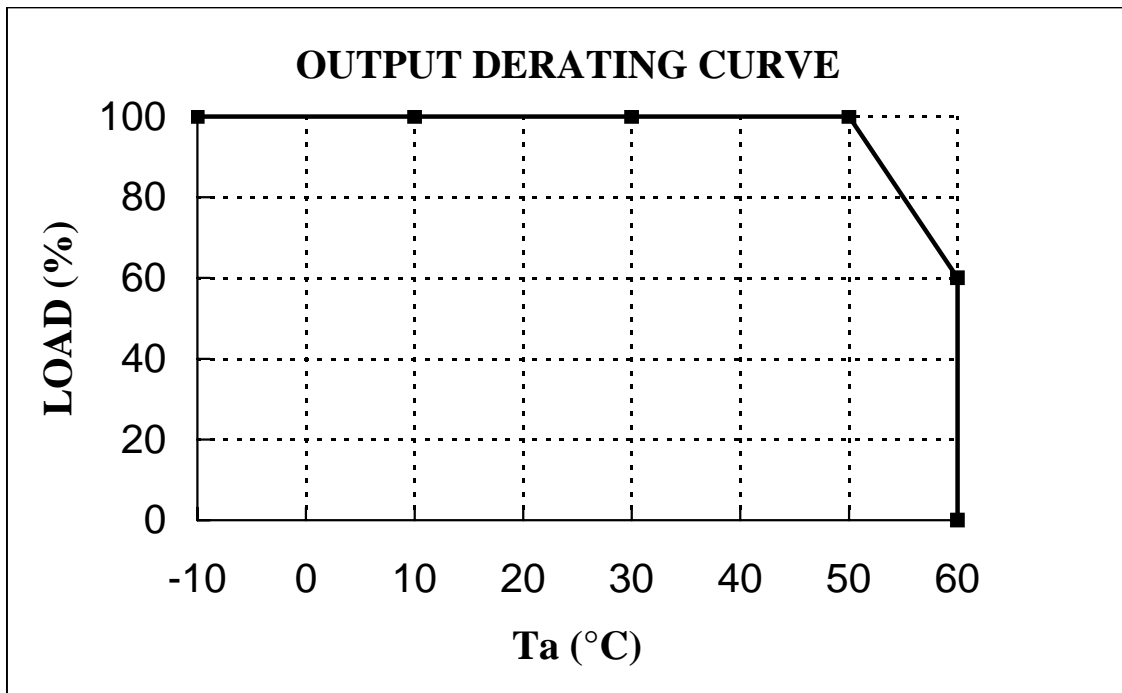
CA734-01-02

(This specifications sheet also apply to option model /E, /EJ)

DLP120-24-1

*COOLING: CONVECTION COOLING

Ta(°C)	LOADING CONDITION(%)
	Standard Mounting
-10~50	100
60	60



STANDARD MOUNTING

X-ON Electronics

Largest Supplier of Electrical and Electronic Components

Click to view similar products for [tdk-lambda](#) manufacturer:

Other Similar products are found below :

[CSS500-57/S](#) [FPST1U](#) [PH150S110-15](#) [PH300S280-3.3](#) [PH50A280-48](#) [PH75A280-5](#) [PV1R5-12-5](#) [PV1R5-5-12](#) [PXA15-24WS3P3NT](#)
[PXB15-24D05/N](#) [PXB15-48S12/NT](#) [PXB15-48WD15/N](#) [PXCM1048WD15A](#) [PXD1024WS15](#) [PXD1524D12](#) [PXD1524D15](#) [PXD1524S05](#)
[PXD1524S12](#) [PXD1548D12](#) [PXD2024S3P3](#) [PXE2024WS12](#) [PXF4012D12](#) [PXF4024WD12](#) [PXF4048S05](#) [PXF4048T0515](#) [PXF4048WS15](#)
[PXF6048S05](#) [GWS500-48](#) [HFE2500-S1U-TB](#) [DRJ30-12-1](#) [DRJ50-12-1](#) [DT100PW120C](#) [DT150PW480C](#) [DTM165PW150C](#) [1500-FAN-01](#)
[MWS6515](#) [NL200](#) [HWS1000-12](#) [HWS1000-24](#) [HWS1000-48](#) [HWS1000-60](#) [HWS100A-24/A](#) [HWS100A-24/ADIN](#) [HWS100A3HD](#)
[HWS100A48HD](#) [HWS100A-5](#) [HWS150036ME](#) [HWS150-12/ME](#) [HWS150A48HD](#) [HWS15A-3/A](#)