

Part Number: AI-4228-TWT-R



Features

Mounting: Thru Hole
Tone: Continuous
Frequency: 2800 +/- 500Hz
This part is RoHS 2002/95/EC Compliant.

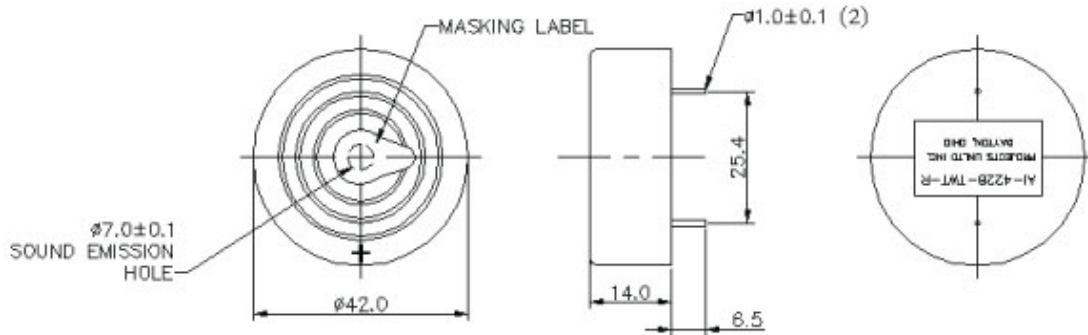
Electrical Specifications

Operating Voltage	3-28 Vdc
Rated Current (Max.)	10 mA
Rated Voltage	12 Vdc
Resonant Frequency	2800 +/- 500Hz
Sound Pressure Level @ 10 cm (Min.)	99 dBA

Case: ABS
Weight: 12g
Pin Material: Au Plated Phosphor Bronze
Environmentally friendly.

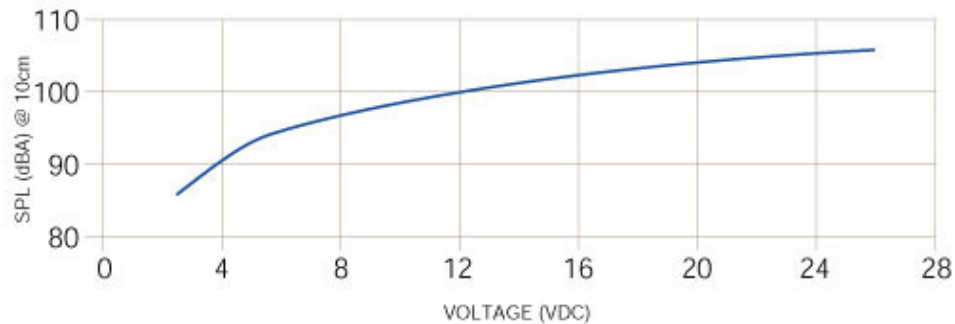
Mechanical

Dimensions are in millimeters, tolerance is ± 0.5 unless otherwise specified.



Performance

Typical SPL vs. Volts



For application notes and detail drawing specifications, please consult www.projectsunlimited.com.

Specifications subject to change without notice.

© 2005, Projects Unlimited Inc., All Rights Reserved.

X-ON Electronics

Largest Supplier of Electrical and Electronic Components

Click to view similar products for [Projects Unlimited](#) manufacturer:

Other Similar products are found below :

[AW-15SBW](#) [AOM-4546L-R](#) [AI-383](#) [AT-1438-TWT-R](#) [AI-4328-P-FP250-R](#) [AI-4329-P-FP28-R](#) [X-4032-TF-LW105-R](#) [X-4035-TFL-LW140-R](#) [POM-5242P-R](#) [AOM-4540L-R](#) [X-2629-TWT-R](#) [AT-2440-TWT-R](#) [AT-1620-TWT-12V-R](#) [SMI-1324-TW-5V-2-R](#) [AST-03032MR-R](#) [POM-1644P-NF-R](#) [AI-550](#) [AOM-6738P-R](#) [AS01308MR-LW10](#) [AST-030C0MR-R](#) [AI-4328-P-C28-2-R](#) [TOM-1545P-R](#) [POM-3044P-R](#) [SMT-0727-S-R](#) [AOM-6738L-R](#) [AT-1220-TWT-5V-R](#) [AOM-4540P-R](#) [ROM-2238P-NF-R](#) [AI-1440-TWT-12V-R](#) [AT-1620-TWT-R](#)