

**Part Number:** AOM-6742L-R



**Features**

Omnidirectional  
Super clarity, distortion-free response  
Available with lead wire type mounting  
This part is RoHS 2002/95/EC Compliant

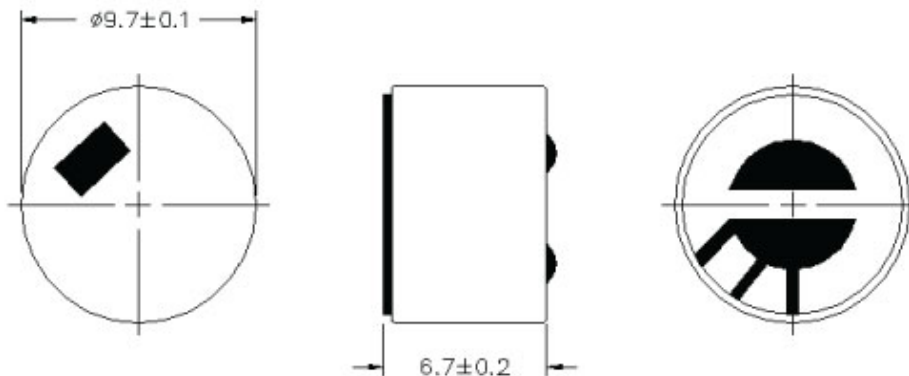
**Electrical Specifications**

Directivity	Omnidirectional
Impedance	2.2 kOhm
Operating Voltage	1.5 Vdc
Package Size	9.7 x 6.7 mm
Sensitivity	-42 +/- 3 dB

Environmentally friendly

**Mechanical**

*Dimensions are in millimeters, tolerance is  $\pm 0.5$  unless otherwise specified.*



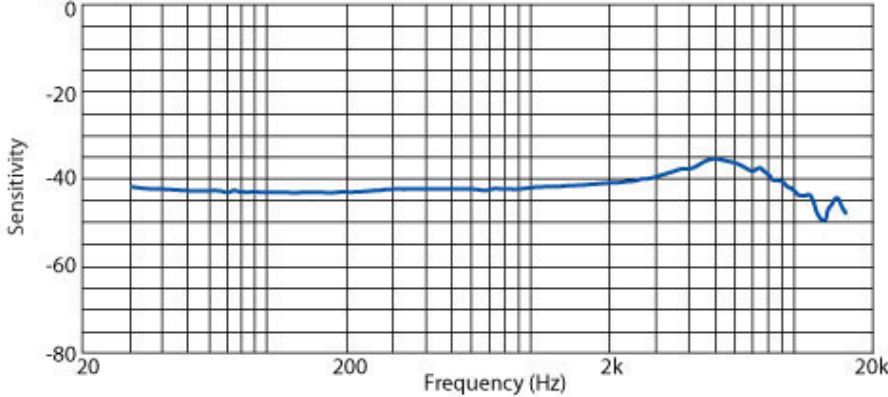
**For application notes and detail drawing specifications, please consult [www.projectsunlimited.com](http://www.projectsunlimited.com).**

Specifications subject to change without notice.

© 2006, Projects Unlimited Inc., All Rights Reserved.

Part Number: AOM-6742L-R

### Performance



For application notes and detail drawing specifications, please consult [www.projectsunlimited.com](http://www.projectsunlimited.com).

Specifications subject to change without notice.

© 2006, Projects Unlimited Inc., All Rights Reserved.

# X-ON Electronics

Largest Supplier of Electrical and Electronic Components

*Click to view similar products for [Projects Unlimited](#) manufacturer:*

Other Similar products are found below :

[AW-15SBW](#) [AOM-4546L-R](#) [AI-383](#) [AT-1438-TWT-R](#) [AI-4328-P-FP250-R](#) [AI-4329-P-FP28-R](#) [X-4032-TF-LW105-R](#) [X-4035-TFL-LW140-R](#)  
[POM-5242P-R](#) [AOM-4540L-R](#) [X-2629-TWT-R](#) [AT-2440-TWT-R](#) [AT-1620-TWT-12V-R](#) [SMI-1324-TW-5V-2-R](#) [AST-03032MR-R](#) [POM-1644P-](#)  
[NF-R](#) [AI-550](#) [AOM-6738P-R](#) [AS01308MR-LW10](#) [AST-030C0MR-R](#) [AI-4328-P-C28-2-R](#) [TOM-1545P-R](#) [POM-3044P-R](#) [SMT-0727-S-R](#) [AOM-](#)  
[6738L-R](#) [AT-1220-TWT-5V-R](#) [AOM-4540P-R](#) [ROM-2238P-NF-R](#) [AI-1440-TWT-12V-R](#) [AT-1620-TWT-R](#)