

### 4. High Power Type PF, PC, PA, PB

Japan  
China



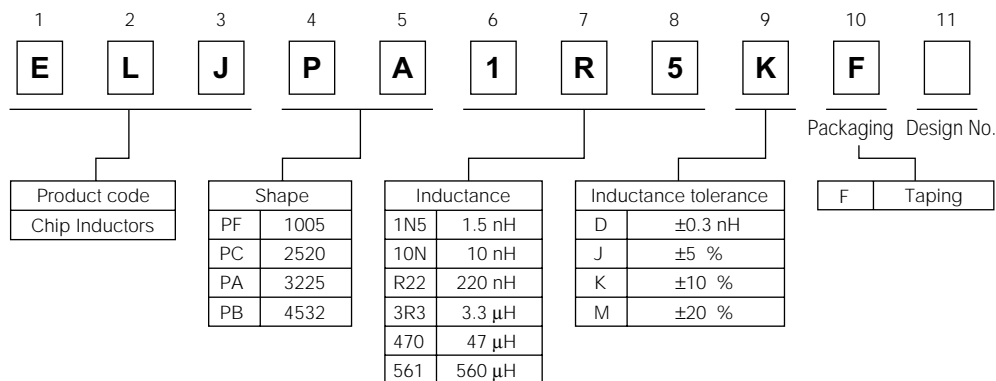
#### ■ Features

- Low DCR and large current, suitable for power circuit.
- Wire wound and resin molded chip inductor. (PC, PA, PB type)
- Non wound structure using unique laser cut method. (PF type)
- Correspond to Re-flowsoldering and flow soldering.
- Wide line-up from 1005 size to 4532 size.
- Good for mounting.

#### ■ Recommended Applications

AV equipment , Wireless communication equipment and various general electronic equipment.

#### ■ Explanation of Part Numbers



#### Storage condition

Package : Normal temperature (-5 to 35 °C), normal humidity (85 %RH Max.), shall not be exposed to direct sunlight and harmful gas and care should be taken so as not to cause dew.

Product on PWB: Temperature -20 to +85 °C

#### Storage period

In generally, even if storage condition is good, solderability will be down cause of time progress.

Please use product within 6 months after received.

(In case of over 6 months storage period, use the product after confirmation of no abnormality of appearance and solderability.)

Packaging Refer 28 ro 29 page.

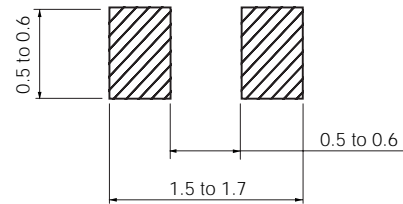
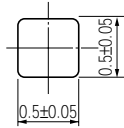
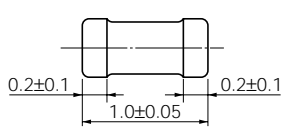
Soldering condition Refer 30 page.

Caution for use Refer 31 page.

■ PF Type 1005 (0402)

● Dimensions in mm (not to scale)

● Recommended Land Pattern in mm (not to scale)



■ Standard Packing Quantity

● 10000 pcs./Reel

■ Standard Parts

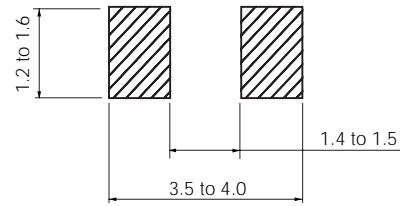
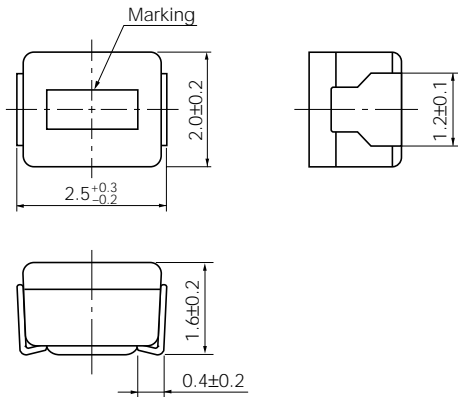
Part No.	Inductance			Q		SRF *1 (MHz) min.	R <sub>bc</sub> *2 (Ω) max.	DC Current (mA) max.
	(nH)	Tolerance (%)	Test Freq. (MHz)	min.	Test Freq. (MHz)			
ELJPF2N2DFB	2.2	D : ±0.3 nH	100	7	100	5300	0.040	1.90
ELJPF2N7DFB	2.7					5300	0.050	1.80
ELJPF3N3DFB	3.3					5000	0.070	1.50
ELJPF3N9DFB	3.9					4800	0.080	1.40
ELJPF4N7DFB	4.7					4600	0.100	1.30
ELJPF5N6DFB	5.6					4200	0.120	1.20
ELJPF6N8JFB	6.8	J : ± 5 %				4000	0.160	1.10
ELJPF8N2JFB	8.2					3700	0.210	0.90
ELJPF10NJFB	10					3200	0.260	0.75

\*1 : Self Resonant Frequency \*2 : DC Resistance

### ■ PC Type 2520 (1008)

● Dimensions in mm (not to scale)

● Recommended Land Pattern in mm (not to scale)



### ■ Standard Packing Quantity

● 2000 pcs./Reel

### ■ Standard Parts

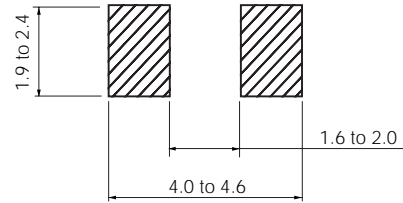
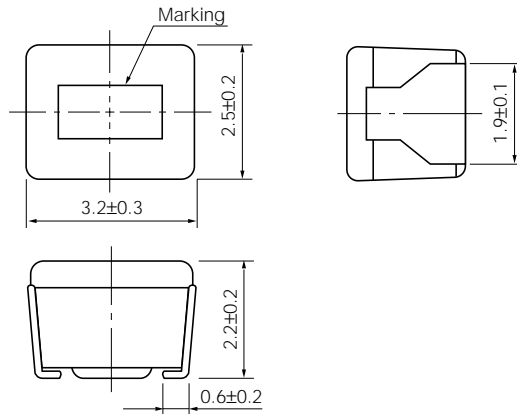
Part No.	Inductance			Q		SRF *1 (MHz) min.	R <sub>DC</sub> *2 (Ω) max.	DC Current (mA) max.	
	(μH)	Tolerance (%)	Test Freq. (MHz)	min.	Test Freq. (MHz)				
ELJPC1R0MF	1.0	M : ±20 %	7.96	10	7.96	95	0.45	475	
ELJPC1R5MF	1.5					85	0.55	435	
ELJPC2R2MF	2.2					65	0.65	390	
ELJPC3R3MF	3.3			55		0.85	340		
ELJPC4R7MF	4.7			43		1.2	285		
ELJPC6R8KF	6.8	K : ±10 %	2.52	8.5	2.52	44	1.3	170	
ELJPC100KF	10			20		2.52	32	2.2	210
ELJPC120KF	12						25	2.7	195
ELJPC150KF	15						21	3.2	175
ELJPC220KF	22						18	4.0	160
ELJPC330KF	33						16	6.5	120

\*1 : Self Resonant Frequency \*2 : DC Resistance

### ■ PA Type 3225 (1210)

● Dimensions in mm (not to scale)

● Recommended Land Pattern in mm (not to scale)



### ■ Standard Packing Quantity

● 2000 pcs./Reel

### ■ Standard Parts

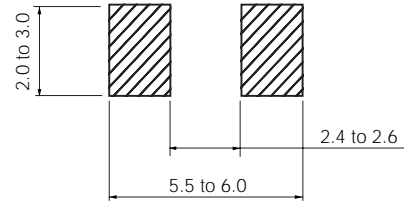
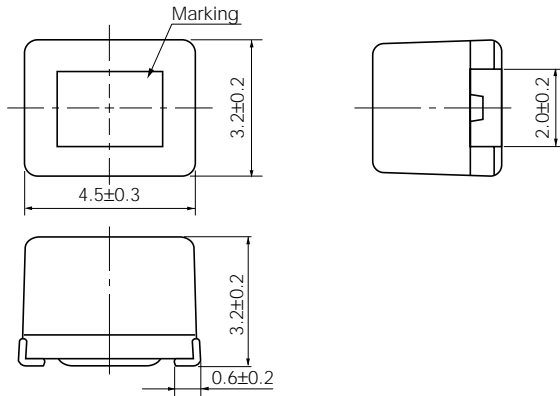
Part No.	Inductance			Q		SRF *1 (MHz) min.	R <sub>DC</sub> *2 (Ω) max.	DC Current (mA) max.			
	(μH)	Tolerance (%)	Test Freq. (MHz)	min.	Test Freq. (MHz)						
ELJPA1R0MF	1.0	M : ±20 %	7.96	7	7.96	150	0.15	600			
ELJPA1R5MF	1.5					110	0.18	550			
ELJPA2R2MF	2.2					80	0.23	500			
ELJPA3R3MF	3.3					58	0.28	400			
ELJPA4R7MF	4.7					46	0.34	350			
ELJPA6R8MF	6.8					38	0.42	300			
ELJPA100KF	10	K : ±10 %	2.52	15	2.52	23	0.50	240			
ELJPA120KF	12					21	0.60	230			
ELJPA150KF	15					18	0.74	220			
ELJPA180KF	18					17	0.90	205			
ELJPA220KF	22					15	1.15	185			
ELJPA270KF	27					13	1.45	165			
ELJPA330KF	33					12	1.65	155			
ELJPA390KF	39					11	1.90	145			
ELJPA470KF	47					9.5	2.25	135			
ELJPA560KF	56					8.5	3.30	110			
ELJPA680KF	68					7.5	3.70	105			
ELJPA820KF	82					7.0	4.20	100			
ELJPA101KF	100					0.796	20	0.796	6.5	5.00	90
ELJPA121KF	120								6.0	7.00	75
ELJPA151KF	150	5.5	8.00	70							
ELJPA181KF	180	5.0	9.50	65							
ELJPA221KF	220	4.0	11.0	60							
ELJPA271KF	270	3.5	14.5	55							
ELJPA331KF	330	3.0	16.0	50							

\*1 : Self Resonant Frequency \*2 : DC Resistance

### ■ PB Type 4532 (1812)

● Dimensions in mm (not to scale)

● Recommended Land Pattern in mm (not to scale)



### ■ Standard Packing Quantity

● 500 pcs./Reel

### ■ Standard Parts

Part No.	Inductance			Q		SRF *1 (MHz) min.	R <sub>bc</sub> *2 (Ω) max.	DC Current (mA) max.
	(μH)	Tolerance (%)	Test Freq. (MHz)	min.	Test Freq. (MHz)			
ELJPB100KF	10	K : ±10 %	2.52	10	2.52	19	0.65	360
ELJPB120KF	12					17	0.70	340
ELJPB150KF	15					15	0.80	320
ELJPB180KF	18					14	0.90	310
ELJPB220KF	22					13	1.0	300
ELJPB270KF	27					11	1.2	270
ELJPB330KF	33					10	1.4	250
ELJPB390KF	39					9.5	1.6	230
ELJPB470KF	47					8.5	1.9	210
ELJPB560KF	56					8	2.2	190
ELJPB680KF	68					7	2.6	170
ELJPB820KF	82		6.5	3.5	160			
ELJPB101KF	100		6	4.0	150			
ELJPB121KF	120		0.796	20	0.796	5.5	4.5	130
ELJPB151KF	150					5	6.5	120
ELJPB181KF	180					4.5	7.5	110
ELJPB221KF	220	4				9.0	90	

\*1 : Self Resonant Frequency \*2 : DC Resistance

## X-ON Electronics

Largest Supplier of Electrical and Electronic Components

*Click to view similar products for [Panasonic](#) manufacturer:*

Other Similar products are found below :

[ERD-S1TJ8R2V](#) [ERO-S2PHF1502](#) [DP3-22](#) [ECE-A1HKAR47](#) [RP-SMLE04DA1](#) [AH64-05846A](#) [ELL-ATV100M](#) [ERA-14EB121U](#)  
[ECOS1JA122BA](#) [ECW-U1C184JB9](#) [HC2-H-AC48V-F](#) [ERA-S15J471V](#) [ERA-V15J682V](#) [HC2-HP-AC115V-F](#) [ECJ-2FF1A475Z](#)  
[ECOS2GP271EA](#) [LC-R063R4P](#) [EYG-A091210P](#) [EEV-HB1HR22R](#) [HC4-H-DC12V](#) [ELC-12D471E](#) [EVM-3RSX50B13](#) [EEF-SD0E221R](#)  
[ELL-CTV150M](#) [EET-HC2D102DA](#) [EVM-1USX30B12](#) [EEF-UE0E471LR](#) [PA-LN19](#) [EEF-UE0E471R](#) [ERA-W27J101X](#) [ELC-10D330E](#)  
[ERA-V15J101V](#) [EEV-TG2A220P](#) [HHR-80AAAB3B](#) [036506R](#) [ERD-S1TJ165V](#) [ECE-V0JA220NR](#) [2SB15990QL](#) [EVM-3VSX50B52](#)  
[ECOS2GP121CX](#) [ELJRF22NJFB](#) [EET-HC2S471DA](#) [ECOS1KP392CA](#) [ELJFCR82KF](#) [EEV-HA2A3R3P](#) [EVM-F6SA00B55](#) [ESE-15700](#)  
[EEV-TG1J330P](#) [EEF-CD0K8R2R](#) [AXE260124A](#)