

# Accessories for subracks

## Ripac box type plug-in units for drives



### Vertical drive chassis

- For the installation of drives or CD-ROMs.  
May be installed in all Ripac subracks.
- Optionally prepared for EMC or non-EMC
  - Accomodation for 3 1/2" or 5 1/4" drives or CD-ROM, vertical
  - Front panel and support plate integrated

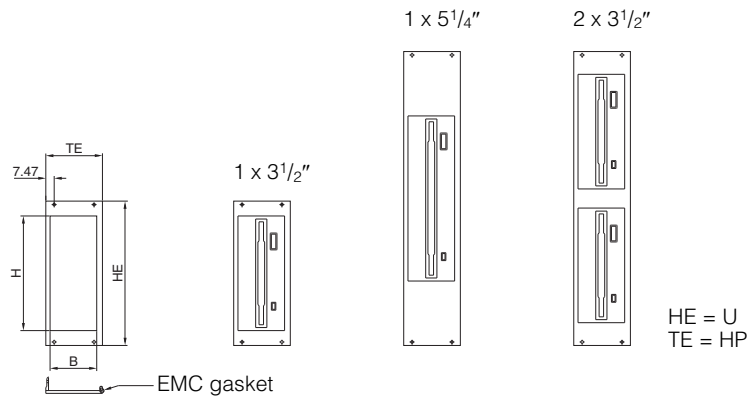
**Material:**  
Front panel: 2.5 mm aluminium  
Support plate: Aluminium

**Surface finish:**  
Clear-chromated

**Supply includes:**  
1 front panel with support plate,  
1 EMC gasket (with EMC modules),  
assembly parts.



Installation drives	Font panel		Depth drive approx. mm	Font panel cutout		Model No. RP	
	U	HP		Height (H) mm	Width (B) mm	EMC	Non-EMC
1 x 3 1/2"	3	8	160	102	26	<b>3684.469</b>	<b>3685.078</b>
2 x 3 1/2"	6	8	160	102	2 x 26	<b>3684.478</b>	<b>3685.087</b>
1 x 5 1/4"	6	10	220	147	41.5	<b>3684.481</b>	<b>3685.090</b>
1 x 3 1/2"	3	8	160	-	-	-	<b>3685.091</b>
	3	10	160	-	-	-	<b>3685.092</b>
2 x 3 1/2"	6	8	160	-	-	-	<b>3685.095</b>
	6	10	160	-	-	-	<b>3685.096</b>



### Guide rails

**for drive chassis**  
For routing drive chassis in the subrack.

**Material:**  
Aluminium

**Supply includes:**  
Press-fit pin.

For installation depth mm	Packs of	Model No. RP
160	1	<b>3686.989</b>

**Note:**  
Two guide rails are required for each drive chassis.

**! Also required:**

Assembly screws,  
packs of = 100, Model No. RP 3654.340,  
see page 576.



### PCB holder

**for box type plug-in units**  
For fastening PCBs in box type plug-in units.

**Material:**  
PBTP, basic material to UL-94-V0

**Supply includes:**  
Assembly parts.

Packs of	Model No. RP
2	<b>3606.321</b>

## **X-ON Electronics**

Largest Supplier of Electrical and Electronic Components

*Click to view similar products for [Rittal manufacturer](#):*

Other Similar products are found below :

[EB1546](#) [KL1501](#) [KL1590](#) [3652070](#) [1002.600](#) [1004.600](#) [1033.500](#) [1036.500](#) [1037.500](#) [1076.500](#) [1077.500](#) [1302.600](#) [1338.500](#) [1380.500](#)  
[1505.510](#) [1506.510](#) [1508.510](#) [1510.510](#) [1514.510](#) [1517.510](#) [1518.510](#) [1577.450](#) [1578.450](#) [1578.530](#) [1579.450](#) [9514.000](#) [9521.050](#)  
[1434.500](#) [1444.500](#) [1446.500](#) [1519.510](#) [1522.010](#) [1523.010](#) [1524.010](#) [1525.010](#) [1526.010](#) [1527.010](#) [1527.510](#) [1529.010](#) [1530.010](#)  
[1530.510](#) [1533.510](#) [1534.510](#) [1535.510](#) [1536.510](#) [1537.510](#) [1538.510](#) [1539.510](#) [1540.510](#) [1541.510](#)