



Systemy połączeniowe CDB / CDB620

CDB620-001



Nazwa modelu > **CDB620-001**

Numer cz ci > **1042256**



At a glance

- Connection module for one IDpro sensor
- Clearly visible, easily accessible screw- and spring-loaded terminals
- Connection diagram on the inside of the lid
- Configuration with switches
- IP 65 connection for one IDpro sensor using standard connection cable
- Basis for CMC600 parameter cloning module
- Service plug for direct access to the AUX interface

Your benefits

- Compact design fits into small spaces
- Two mounting holes for fast, precise installation saves on installation costs
- Clearly labeled, easily accessible screw- and spring-loaded terminals save time when connecting to peripherals
- Quick, easy configuration with switches reduces installation time
- Industrial-standard connection guarantees a reliable application solution
- CMC600 parameter cloning module allows rapid exchange and replacement of connected sensors



Cechy

Zwizly opis:	Small connection module for one sensor, 4 cable glands, base for CMC600
Obslugiwane produkty:	CLV42x, CLV43x, CLV44x, CLV45x, CLV48x, CLV49x, CLV62x, CLV63x, CLV64x, CLV65x, CLX49x, ICR84x-2, ICR84x-2 FlexLens, ICR85x-2, LECTOR@62x, RFH620
Obsluga modulu klonujacego (CMC):	Tak
Obsluga modulu wyswietlacza (CMD):	Nie
Obsluga modulu zasilacza (CMP):	Nie
Obsluga bramy fieldbus (CMF):	Nie

Interfejsy

Szeregowy (RS-232, RS-422/485):	✓
Uwaga (Szeregowy (RS-232, RS-422/485)):	Depending on sensor connected
Ethernet:	-
CAN-Bus:	✓
Uwaga (CAN-Bus):	Depending on sensor connected
PROFIBUS DP:	-
DeviceNet:	-

Wejścia przełączające:	Depending on sensor connected
Wyjścia przełączające:	Depending on sensor connected
Wskaźniki optyczne:	9 LED

Mechanika/elektronika

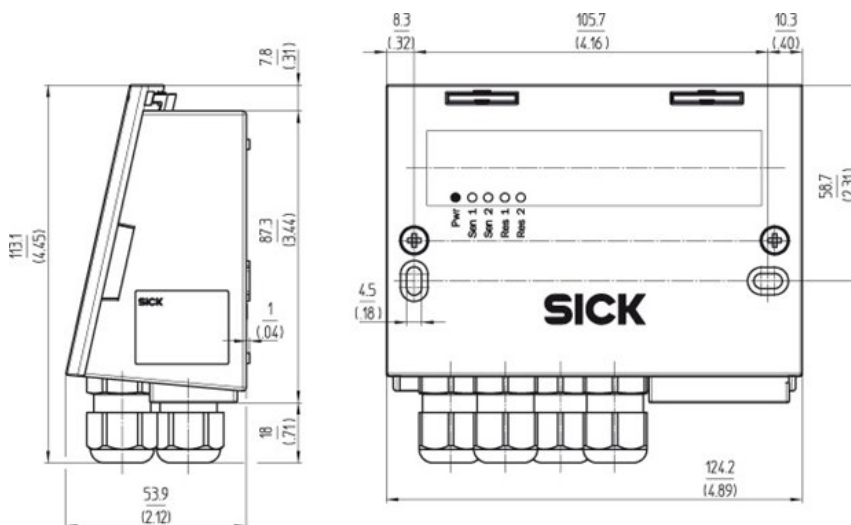
Pobór mocy:	1 W
Obudowa:	Polycarbonat
Enclosure rating:	IP 65 (DIN 40 050) ¹⁾
Klasa ochronności:	III (VDE 0106)
Ciężar:	250 g
Wymiary:	124,2 mm x 113,1 mm x 53,9 mm
Kolor obudowy:	Blue (RAL 5012)
Podłączenie skanera:	15-pin D-Sub HD socket
Wtyk serwisowy:	9-pin D-Sub socket (internal)

¹⁾ When using a SICK scanner standard connecting cable

Dane otoczenia

Temperatura pracy:	-35 °C ... 40 °C
Temperatura składowania:	-35 °C ... 70 °C
Dopuszczalna wilgotność względna:	± 90 %, nie parujące

Rysunek techniczny



Australia

Phone +61 3 9457 0600
1800 334 802 – tollfree
E-Mail sales@sick.com.au

Belgium/Luxembourg

Phone +32 (0)2 466 55 66
E-Mail info@sick.be

Brasil

Phone +55 11 3215-4900
E-Mail sac@sick.com.br

Canada

Phone +1 905 771 14 44
E-Mail information@sick.com

Ceská Republika

Phone +420 2 57 91 18 50
E-Mail sick@sick.cz

China

Phone +86 4000 121 000
E-Mail info.china@sick.net.cn
Phone +852-2153 6300
E-Mail ghk@sick.com.hk

Danmark

Phone +45 45 82 64 00
E-Mail sick@sick.dk

Deutschland

Phone +49 211 5301-301
E-Mail kundenservice@sick.de

España

Phone +34 93 480 31 00
E-Mail info@sick.es

France

Phone +33 1 64 62 35 00
E-Mail info@sick.fr

Great Britain

Phone +44 (0)1727 831121
E-Mail info@sick.co.uk

India

Phone +91-22-4033 8333
E-Mail info@sick-india.com

Israel

Phone +972-4-6801000
E-Mail info@sick-sensors.com

Italia

Phone +39 02 27 43 41
E-Mail info@sick.it

Japan

Phone +81 (0)3 3358 1341
E-Mail support@sick.jp

Magyarország

Phone +36 1 371 2680
E-Mail office@sick.hu

Nederlands

Phone +31 (0)30 229 25 44
E-Mail info@sick.nl

Norge

Phone +47 67 81 50 00
E-Mail austefjord@sick.no

Österreich

Phone +43 (0)22 36 62 28 8-0
E-Mail office@sick.at

Polska

Phone +48 22 837 40 50
E-Mail info@sick.pl

România

Phone +40 356 171 120
E-Mail office@sick.ro

Russia

Phone +7-495-775-05-30
E-Mail info@sick.ru

Schweiz

Phone +41 41 619 29 39
E-Mail contact@sick.ch

Singapore

Phone +65 6744 3732
E-Mail admin@sicksgp.com.sg

Slovenija

Phone +386 (0)1-47 69 990
E-Mail office@sick.si

South Africa

Phone +27 11 472 3733
E-Mail info@sickautomation.co.za

South Korea

Phone +82 2 786 6321/4
E-Mail info@sickkorea.net

Suomi

Phone +358-9-25 15 800
E-Mail sick@sick.fi

Sverige

Phone +46 10 110 10 00
E-Mail info@sick.se

Taiwan

Phone +886-2-2375-6288
E-Mail sales@sick.com.tw

Türkiye

Phone +90 (216) 528 50 00
E-Mail info@sick.com.tr

United Arab Emirates

Phone +971 (0) 4 8865 878
E-Mail info@sick.ae

USA/México

Phone +1(952) 941-6780
1 800-325-7425 – tollfree
E-Mail info@sickusa.com

More representatives and agencies
at www.sick.com

X-ON Electronics

Largest Supplier of Electrical and Electronic Components

Click to view similar products for [Sensor Fixings & Accessories](#) category:

Click to view products by [Sick](#) manufacturer:

Other Similar products are found below :

[EC18-WELL](#) [FMD411](#) [SA9Z-F11](#) [E4R-R12A-CS3M010](#) [E4R-R12A-CS3M020](#) [BS-1T CHITAN](#) [ICAB-1](#) [SA9Z-S07PN02](#) [ECT18-WELL](#) [57142-000](#) [79450811](#) [734209100](#) [ASI M12 VS](#) [440148](#) [430233](#) [440101](#) [440102](#) [440121](#) [440122](#) [440131](#) [440132](#) [440135](#) [440147](#) [XSZB108](#) [Y92E-BC12](#) [Y92E-BC18](#) [10901](#) [0909](#) [UAC 101](#) [810-12AC/DC](#) [843-12AC/DC](#) [844-12AC/DC](#) [771000-6011](#) [771000-6202](#) [812-12AC/DC](#) [834-12AC/DC](#) [909G](#) [910G](#) [913G](#) [92.031.9058.1](#) [92.032.9058.1](#) [925G](#) [771000-6010](#) [GN 473-B12-MT](#) [GN 474-B12-B12-MT](#) [GN 474-B16-B16-MT](#) [GN 479-B12-30](#) [XSZB118](#) [XSZB112](#) [XSZB130](#) [611-12DC](#) [08 2424 010 000](#) [733877001](#) [ELST-M PG9](#)