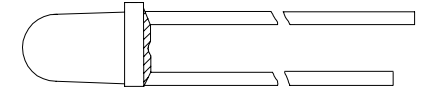


- Features:
- High intensity
  - Blue diffused (CD) or Water clear (WC) epoxy

**LED Lamp Package**



**Electro / Optical Characteristics**  $I_F = 20 \text{ mA}$  ( \* 465 Blue -  $I_F = 10 \text{ mA}$  )  $T_a = 25^\circ \text{ C}$

LED Part Number		Emitting Colour	Epoxy Type	Die Material	Wavelength		Forward Voltage $V_F$		Luminous intensity $I_V$		Luminous Flux $\phi_V$	Viewing $\angle$ $2\theta_{1/2}$
Farnell	Forge Europa				Peak $\lambda_p$	Dominant $\lambda_d$	typical	max	min	typical		
366-4442	FNL-U300B07CDSL	488 Blue	CD	InGaN/SiC	488	490	3.70	4.20	-	180	-	60°
366-4454	FNL-U300B05CDSL	* 465 Blue	CD	InGaN/SiC	465	470	3.30	3.70	-	34	-	60°
366-4466	FNL-U300B06CDSL	458 Blue	CD	InGaN/SiC	458	460	3.70	4.20	-	70	-	60°
366-4478	FNL-U300B01CDSL	428 Blue	CD	InGaN/SiC	428	466	3.80	4.50	-	24	-	60°
366-4480	FNL-U300B07WCSL	488 Blue	WC	InGaN/SiC	488	490	3.70	4.20	-	910	-	35°
366-4491	FNL-U300B05WCSL	* 465 Blue	WC	InGaN/SiC	465	470	3.30	3.70	-	170	-	35°
366-4508	FNL-U300B06WCSL	458 Blue	WC	InGaN/SiC	458	460	3.70	4.20	-	360	-	35°
366-4510	FNL-U300B01WCSL	428 Blue	WC	InGaN/SiC	428	466	3.80	4.50	-	120	-	35°
Units					nm		V		mcd		mlm	deg

**Maximum Ratings  $T_a = 25^\circ \text{ C}$  ( Derate above  $25^\circ \text{ C}$  )**

Characteristic	Condition	Symbol	Rating	Units
Pulse Forward Current	0.1 duty cycle @ 1KHz ( 465 Blue )	$I_{FP}$	100 (35)	mA
DC Forward Current	( 465 Blue )	$I_F$	25 (15)	mA
Reverse Voltage	$I_R = 100 \mu\text{A}$	$V_R$	5	V
Power Dissipation		$P_D$	85	mW
Operating Temperature		$T_{opr}$	- 20 to + 80	° C
Storage Temperature		$T_{stg}$	- 20 to + 100	° C
Lead soldering temperature	1.6 mm from body - max 3 seconds		240	° C

**Note**

Industry standard procedures regarding static must be observed when handling product produced with blue die material.

**Package Outline**

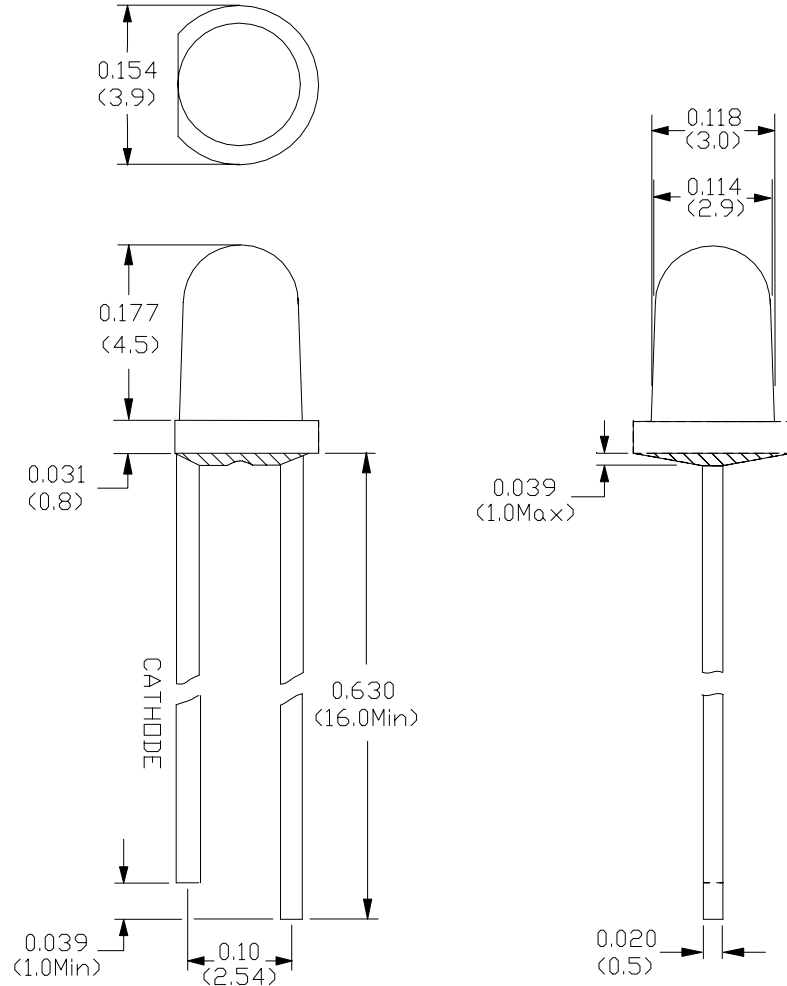
Dimensions in mm

Tol ± 0.25 mm unless stated



**WARNING**

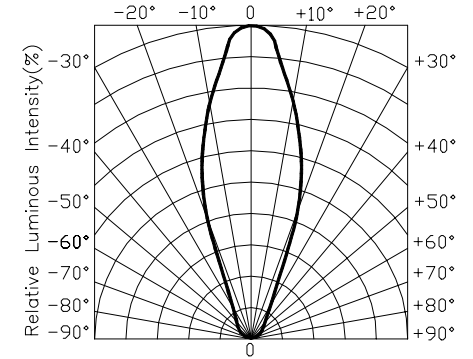
This range of LEDs is produced with die having a high radiant flux. Care must be taken when viewing the product at close range as the light may be intense enough to cause damage to the human eye.



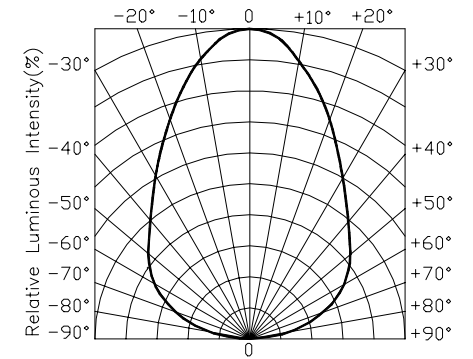
**Radiation Diagrams**

T<sub>a</sub> = 25°C

**35°**



**60°**



## X-ON Electronics

Authorized Distributor

*Click to view similar products for [FORGE manufacturer](#).*

Other Similar products are found below :

[FEM0561B350BGWT1](#) [FEM0561G0430BGWT1](#) [FEM0561R340BGWT1](#) [FEM0801B350BGWT1](#) [FEM0801G0430BGWT1](#)  
[FEM0801R340BGWT1](#) [FEM0801W4SM0BGWT1](#) [FEM1801B350BGWT1](#) [FEM1801R340BGWT1](#) [FN10311B2300GW](#)  
[FN10312B2300GW](#) [FN10392B230JGW](#) [FN10562B230SGW](#) [FN10801B230SGW](#) [FN10802B220SGW](#) [FN10802B230SGW](#)  
[FN10802W4SM0SBW](#) [FN11001W4SM00BW](#) [FN11002W4SM00BW](#) [FN11801W4SM00BW](#) [FN11802W4SM00BW](#)  
[FN12301W4SM00BW](#) [FN12302W4SM00BW](#) [FND5572W4SM00BW35](#) [FND5881W4SM00BW35](#)