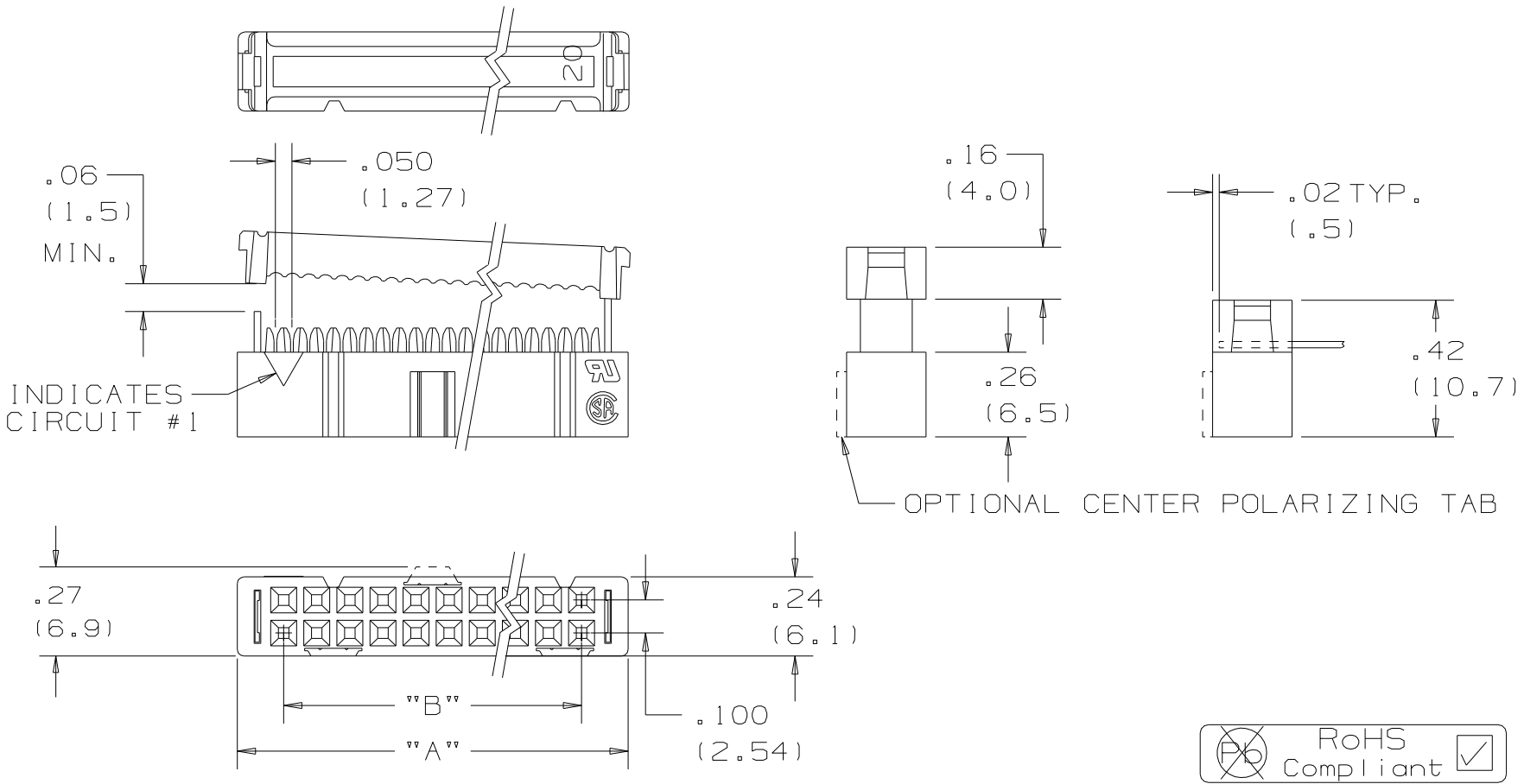


THIS COPY IS PROVIDED ON A RESTRICTED BASIS AND IS NOT TO BE USED IN ANY WAY DETRIMENTAL TO THE INTERESTS OF PANCON.



| | | | | | | | | | | |
|-----|------|----|-----|--------------------|--------|------|-----|--|--|--|
| | | | | | | | | | | |
| | | | | | | | | | | |
| | | | | | | | | | | |
| | | | | | | | | | | |
| | | | | | | | | | | |
| 19 | 6/6 | SC | | ADDED PDNI PLATING | 2330 | | | | | |
| REV | DATE | BY | CHK | DESCRIPTION | CN - R | CUST | SUP | | | |

| | | | |
|---|--|--|--|
| <p>PANCON CONNECTORS www.pancon.de / GERMANY www.panconconnectors.com / USA</p> | | <p>Bolingbrook, Illinois</p> | |
| <p>LAT-CON™ 050 SERIES SOCKET CONNECTOR</p> | | | |
| <p>UNLESS OTHERWISE SPECIFIED, DIMENSIONAL TOLERANCES ARE: (.X) ± (.XXX) ± .005 (.13) (.XX) ± .02 (.5) ANGLES ±</p> | | <p>UNLESS OTHERWISE SPECIFIED, ALL DIMENSIONS ARE GIVEN IN INCHES. THIRD ANGLE PROJECTION.</p> | |
| <p>DRAWN BY MAT'L DDU</p> | | <p>SCALE 2:1</p> | |
| <p>DATE 4-17-86</p> | | <p>SEE NOTES</p> | |
| <p>CHK'D WJH</p> | | <p>DRAWING NO. KA-10239 SHT 1 OF 2</p> | |
| | | <p>DWG. SIZE A</p> | |

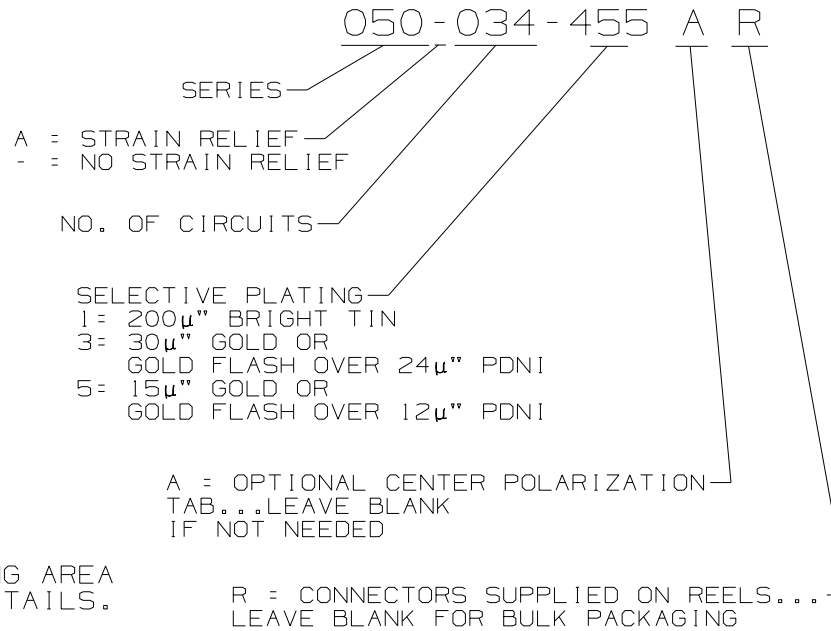
THIS COPY IS PROVIDED ON A RESTRICTED BASIS AND IS NOT TO BE USED IN ANY WAY DETRIMENTAL TO THE INTERESTS OF PANCON.

| NO. OF CKTS. | SOCKET DIMENSIONS | | | |
|--------------|-------------------|------|------|------|
| | "A" | | "B" | |
| | IN. | MM | IN. | MM |
| 6 | 0.48 | 12.2 | 0.20 | 5.1 |
| 10 | 0.68 | 17.3 | 0.40 | 10.2 |
| 14 | 0.88 | 22.4 | 0.60 | 15.2 |
| 16 | 0.98 | 24.9 | 0.70 | 17.8 |
| 20 | 1.18 | 30.0 | 0.90 | 22.9 |
| 26 | 1.48 | 37.6 | 1.20 | 30.5 |
| 30 | 1.68 | 42.8 | 1.40 | 35.6 |
| 34 | 1.88 | 47.8 | 1.60 | 40.6 |
| 40 | 2.18 | 55.4 | 1.90 | 48.3 |
| 50 | 2.68 | 68.1 | 2.40 | 61.0 |
| 60 | 3.18 | 80.8 | 2.90 | 73.7 |
| 64 | 3.38 | 85.9 | 3.10 | 78.7 |

U.L. RECOGNIZED: FILE E73711

- NOTES:
- HOUSING MATERIAL: GF PBT 94VO LIGHT GRAY
 - CONTACT MATERIAL: PHOS BRONZE W/ GOLD OR PALLADIUM NICKEL WITH GOLD FLASH IN MATING AREA AND MATTE TIN PLATING OVER NICKEL ON IDC TAILS. BRIGHT TIN OVER NI OVERALL FOR -1- PART.
 - ALL DIMENSIONS SHOWN IN INCHES AND mm.
 - CONSULT FACTORY FOR NUMBER AND LOCATION OF AUXILIARY CODING SLOTS.

SOCKET PART NUMBERING SYSTEM



| REV | DATE | BY | CHK | DESCRIPTION | CN - R | CUST | SUP |
|-----|------|----|-----|-------------|--------|------|-----|
| 19 | | | | SEE SHEET 1 | | | |



Bolingbrook, Illinois

LAT-CON™ 050 SERIES SOCKET CONNECTOR

| | | | |
|--|--------------|--|---|
| UNLESS OTHERWISE SPECIFIED, DIMENSIONAL TOLERANCES ARE: (.X) ± (.XXX) ± .005(.13) (.XX) ± .02(.5) ANGLES ± | | UNLESS OTHERWISE SPECIFIED, ALL DIMENSIONS ARE GIVEN IN INCHES. THIRD ANGLE PROJECTION. SCALE NONE | |
| DRAWN BY MAT'L DDU | | SEE NOTES | DRAWING NO. KA-10239 SHT 2 OF 2 DWG. SIZE A |
| DATE 4-17-86 | CHK'D WJH | | |

X-ON Electronics

Largest Supplier of Electrical and Electronic Components

Click to view similar products for [Pancon](#) manufacturer:

Other Similar products are found below :

[100-964-432](#) [CE100F22-2-D_E](#) [MCT](#) [MLSS-100-8-C](#) [CTD-100F](#) [JSC416G0](#) [100-932-432](#) [625309B](#) [CTD-156F](#) [CT156F18-2-D-E](#) [100-964-433](#) [625222E](#) [CE100F28-6-C_E](#) [100-032-033](#) [SCC100F-6-C](#) [100-964-033](#) [CE156F20-7-C](#) [MTSS156-6-C](#) [100-932-033](#) [625581C](#) [CTP100F24-5-D](#) [SCC156F-4-D](#) [MLSS156-13-C](#) [CE156F20-07-C](#) [100-348-033](#) [MUAS100-8-C_E](#) [100-032-432](#) [CE100F22-5-D_E](#) [CE100F26-6-C_E](#) [CE156F20-5-D_E](#) [CE156F18-10-C_E](#) [100-096-432](#) [CE156F18-7-C_E](#) [120-964-435](#) [CE100F24-9-C](#) [CE156F24-3-D_E](#) [CE156F20-8-C_E](#) [CE100F26-2-D_E](#) [MUAS100-6-C_E](#) [MTAS156-2-D](#) [CE156F20-6-C_E](#) [CE100F22-10-C_E](#) [MLAS100-10-C](#) [CE100F22-7-C_E](#) [CE156F18-8-C_E](#) [MTAS156-5-D](#) [CE100F24-16-C_E](#) [CE156F18-5-D_E](#) [CE100F24-8-C_E](#) [MUSS100-10-C_E](#)