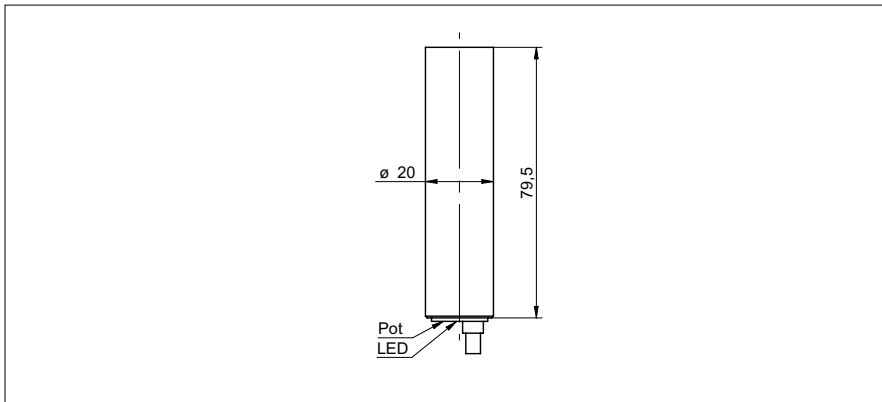


Capacitive proximity sensors

CFBM 20N1600

dimension drawing



general data

nominal sensing distance S_n	10 mm
nominal sensing distance S_n adjustable	2 ... 10 mm
mounting type	flush
GND electrode	yes
temperature drift	$\pm 15\%$ (+10 ... +70 °C)
sensitivity adjustment	potentiometer, 18 turn
output indicator	LED yellow

electrical data

voltage supply range +Vs	10 ... 30 VDC
current consumption max. (no load)	20 mA
output circuit	NPN make function (NO)
output current	< 200 mA
voltage drop Vd	< 2,5 VDC
switching frequency	< 50 Hz
short circuit protection	yes
reverse polarity protection	yes

mechanical data

type	cylindrical smooth
housing material	brass nickel plated
dimension	20 mm
housing length	79,5 mm
connection types	cable, 2 m

ambient conditions

operating temperature	-25 ... +75 °C
protection class	IP 65

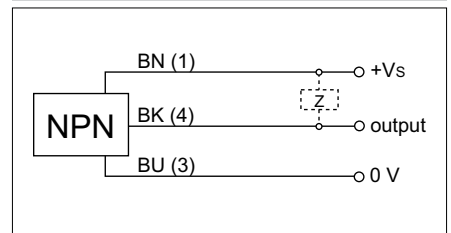
field of application

detection of non-conductive media	yes
fill level detection through container	yes
liquids in direct contact	no
object detection / bulk goods	yes

photo



connection diagram



X-ON Electronics

Largest Supplier of Electrical and Electronic Components

Click to view similar products for [Capacitive Touch Sensors](#) category:

Click to view products by [Baumer](#) manufacturer:

Other Similar products are found below :

[CP8186AT](#) [LC717A10AJ-AH](#) [CP7709DT](#) [AT42QT1012-MAH](#) [FK 8-1](#) [SMBTASK3KIT6](#) [LC717A10AR-NH](#) [MCP2036T-I/MG](#) [CP3155T](#)
[QT113BISG](#) [CAP1166-1-CZC-TR](#) [CM12-08EBP-KW1](#) [CR12CN04DPO-E2](#) [CR30SCF10ATO](#) [CR30SCF10DPO](#) [BCS M30BBI2-PSC15D-](#)
[S04K](#) [CA30CAF16PAM1](#) [VC12RN230](#) [XT130B1FBL2](#) [FDC1004DGSR](#) [FDC1004DGST](#) [CR18SCF05DPO](#) [CR30CN15DPO-E2](#)
[VC12RT23010M](#) [CDWM3020ZPM](#) [17-8421-226](#) [VC12RN924](#) [AT42QT1050-MMH](#) [AT42QT1050-MMHR](#) [AT42QT1110-AU](#)
[AT42QT1244-AU](#) [AT42QT1244-AU](#) [AT42QT1481-AUR](#) [OTBA5L](#) [OTBVR81LQD](#) [PBCL22T](#) [SM31RDLBQD](#) [AT42QT1111-MU](#)
[AT42QT1244-MU](#) [AT42QT2100-MUR](#) [AT42QT2120-MMHR](#) [VTBN6LQ](#) [MTCH6102-IMV](#) [CAP1128-1-BP-TR](#) [CA30CAF16PA](#)
[STMPE16M31QTR](#) [STMPE16M31PXQTR](#) [STM8T143-EVAL](#) [XT230A1PAL2](#) [LC717A00AR-NH](#)