



CFMY

Hinges for removable doors

SUPER-technopolymer



Main specifications

Material

Glass-fibre reinforced polyamide based (PA) SUPER-technopolymer, black colour, matte finish.

Rotating pin

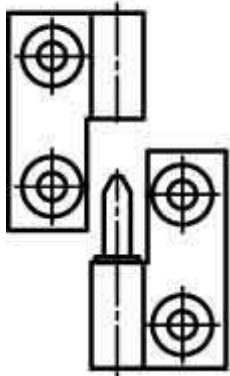
Self-lubricating glass-fibre reinforced polyamide based (PA) technopolymer, black colour.

Standard executions

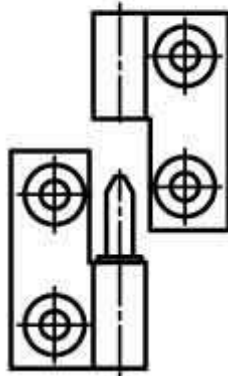
Pass-through holes for countersunk head screws.

- **CFMY-D**: rotation pin fitted on the right hinge body.
- **CFMY-S**: rotation pin fitted on the left hinge body.

CFMY-D



CFMY-S



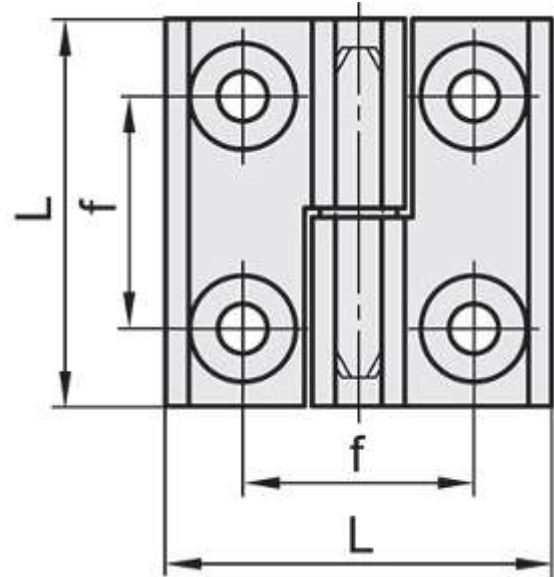
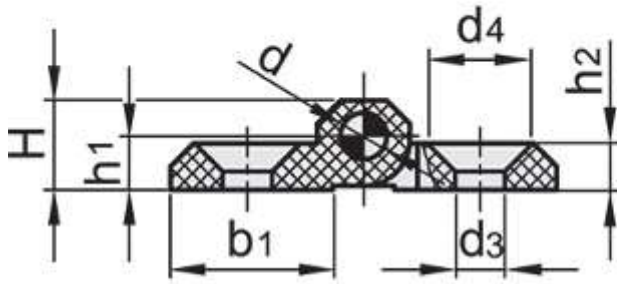
General information

Rotation angle (approximate value)

Max 270° (-90° and +180° being 0° the condition where the two interconnected surfaces are on the same plane).

Do not exceed the rotation angle limit so as not to prejudice the hinge mechanical performance.

To choose the convenient type and the right number of hinges for your application, see the [Guidelines](#).



CFMY

Code	Description	L	$f_{\pm 0.25}$	H	h_1	h_2	b_1	d	d_3	d_4	C# [Nm]	Weight
425981	CFMY.40 SH-4-D	40	25	9	5.5	5	14	4	4.5	8.5	3	14
425982	CFMY.40 SH-4-S	40	25	9	5.5	5	14	4	4.5	8.5	3	14
425971	CFMY.50 SH-6-D	50	30	11.5	6.5	6	18	6	6.5	12.5	5	30
425972	CFMY.50 SH-6-S	50	30	11.5	6.5	6	18	6	6.5	12.5	5	30
425965	CFMY.60 SH-6-D	60	36	15	8.5	8	26	6	6.5	12.5	5	41
425966	CFMY.60 SH-6-S	60	36	15	8.5	8	26	6	6.5	12.5	5	41
425961	CFMY.60-SH-8-D	60	36	15	8.5	8	26	8	8.5	16.5	5	41
425962	CFMY.60-SH-8-S	60	36	15	8.5	8	26	8	8.5	16.5	5	41

Suggested tightening torque for assembly screws.

X-ON Electronics

Largest Supplier of Electrical and Electronic Components

Click to view similar products for [Mounting Fixings](#) category:

Click to view products by [Elesa & Ganter](#) manufacturer:

Other Similar products are found below :

[5912235-2](#) [007310](#) [007541](#) [6-141-P](#) [620HA038NF09](#) [620HA038NF11](#) [CTJ420E028-513](#) [M81714/60-12-01](#) [M81714/60-22-01](#) [L/C](#)
[MA1EAF1200](#) [70-584649-01P](#) [71-074914-006](#) [71-146610-6H](#) [71-215091-8S](#) [712HA170B23128-N](#) [71-344699-4S](#) [71-441549-19S](#) [71-](#)
[441864-5S](#) [71-490451-4H](#) [EX-13-3-B-16-325PN](#) [75-69116-8S](#) [75-69211-3P](#) [75-69220-27S](#) [75-69224-5S](#) [75-69614-2S](#) [770-006A109](#) [770-](#)
[006A109R](#) [770-006A207](#) [770-006A208W1](#) [770-006A209](#) [770-006A306](#) [770-006A703W1](#) [770-006A704](#) [770-006A704W1](#) [770-006A705](#)
[770-006A706](#) [770-006A706W1](#) [770-006A707](#) [770-006A709](#) [770-007A203](#) [770-007A203W1](#) [770-007A204W1](#) [770-007A207W1](#) [770-](#)
[007A703](#) [770-007A704W1](#) [770-007A706](#) [770-007A707W1](#) [770-010Y208](#) [770-010Y308](#) [770-010Y705](#)