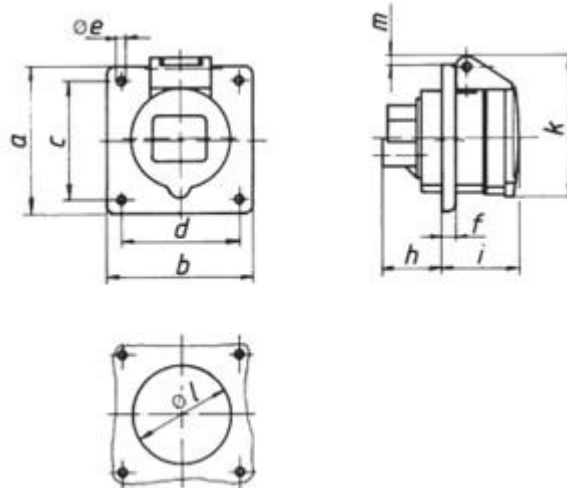


Blue Straight Panel Mounting Socket With Temperature Resistant Contact Carrier 3P+E (9H) IP44 63A 240V



Dimensions

All dimensions in mm.



a	b	c	d
107	100	85	77
e	f	h	i
6.5	12	56	77
k	l	m	Conductor mm ² min
110	88	7	6
Conductor mm ² max			
25			

X-ON Electronics

Largest Supplier of Electrical and Electronic Components

Click to view similar products for [Ceenorm](#) manufacturer:

Other Similar products are found below :

[2138](#) [11962](#) [11302](#) [21013-TLS](#) [31012-TLS](#) [112001](#) [3126](#) [3138](#) [204-TLS](#) [203-TLS](#) [31001-TLS](#) [21001-TLS](#)