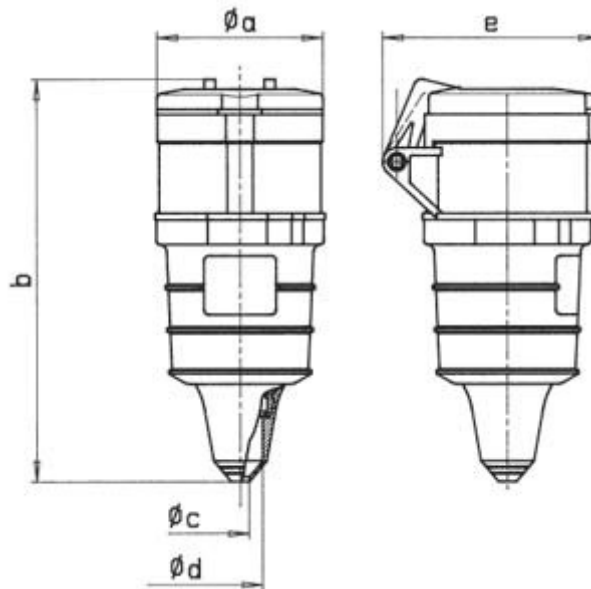


Quick Connect Yellow Connector With Cable Sleeve 2P+E (4H) IP44 16A 110V



Dimensions

All dimensions in mm.



aØ	b	c	d
53	142	5	14.5
eØ	Conductor mm ² min Conductor mm ² max		
72	1	2.5	

X-ON Electronics

Largest Supplier of Electrical and Electronic Components

Click to view similar products for [Ceenorm](#) manufacturer:

Other Similar products are found below :

[2138](#) [11962](#) [11302](#) [21013-TLS](#) [31012-TLS](#) [112001](#) [3126](#) [3138](#) [204-TLS](#) [203-TLS](#) [31001-TLS](#) [21001-TLS](#)