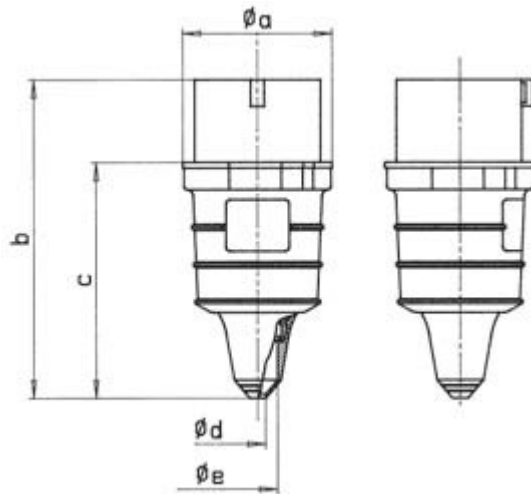


## Quick Connect Blue Plug With Cable Sleeve 2P+E (6H) IP44 16A 240V



### Dimensions

All dimensions in mm.



aØ	b	c	dØ
53	125.5	86.5	5
eØ	Conductor mm <sup>2</sup> min	Conductor mm <sup>2</sup> max	
14.5	1	2.5	

## **X-ON Electronics**

Largest Supplier of Electrical and Electronic Components

*Click to view similar products for [Ceenorm](#) manufacturer:*

Other Similar products are found below :

[2138](#) [11962](#) [11302](#) [21013-TLS](#) [31012-TLS](#) [112001](#) [3126](#) [3138](#) [204-TLS](#) [203-TLS](#) [31001-TLS](#) [21001-TLS](#)