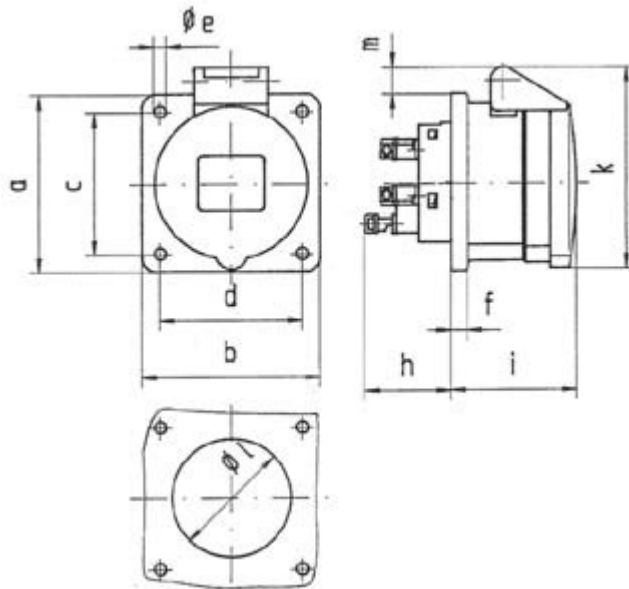


Quick Connect Blue Straight Panel Mounting Socket With 62mm x 62mm Flange 2P+E (6H) IP44 16A 240V



Dimensions

All dimensions in mm.



a	b	c	d
62	62	47	47
eØ	f	h	i
5.5	7	35.5	51
k	lØ	m	Conductor mm ² min
70	45	10	1.5
Conductor mm ² max			
4			

X-ON Electronics

Largest Supplier of Electrical and Electronic Components

Click to view similar products for [Ceenorm](#) manufacturer:

Other Similar products are found below :

[2138](#) [11962](#) [11302](#) [21013-TLS](#) [31012-TLS](#) [112001](#) [3126](#) [3138](#) [204-TLS](#) [203-TLS](#) [31001-TLS](#) [21001-TLS](#)