

QUICK CONNECT CONNECTORS




QUICK CONNECT[®]

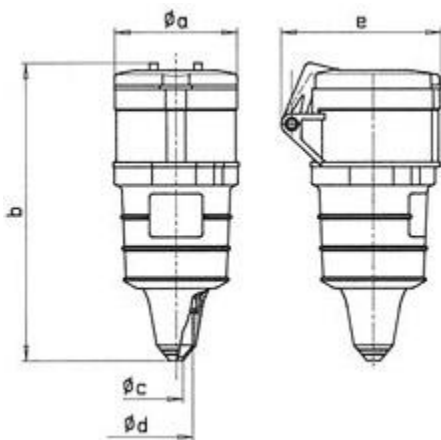
Connector with Cable Sleeve

- Moulded cable sleeve
- 4-point (quarter turn) locking system
- Screwless terminals



IP44 Splashproof

A CURRENT	V VOLTAGE	Hz FREQUENCY	 2P+E	EARTH HR POS.	 3P+E	EARTH HR POS.	 3P+N+E	EARTH HR POS.
16 IP44	110	50-60	31886	4				
	240	50-60	31880	6				
	415	50-60			31881	6	312001	6
32 IP44	110	50-60	310085	4				
	240	50-60	31882	6				
	415	50-60			31883	6	312002	6



Amperes	16			32		
	3	4	5	3	4	5
Poles						
Ø a	53	58	64	66	66	74
b	142	147	156.5	181	181	181
Ø c	5	5	7	8	8	8.5
Ø d	14.5	15.5	17.5	23.5	23.5	26
e	72	78	85	90	90	99
Conductor mm ² min	1	1	1	2.5	2.5	2.5
Conductor mm ² max	2.5	2.5	2.5	6	6	6

X-ON Electronics

Largest Supplier of Electrical and Electronic Components

Click to view similar products for [Ceenorm](#) manufacturer:

Other Similar products are found below :

[2138](#) [11962](#) [11302](#) [21013-TLS](#) [31012-TLS](#) [112001](#) [3126](#) [3138](#) [204-TLS](#) [203-TLS](#) [31001-TLS](#) [21001-TLS](#)