

# omnicomnect

## P.C.B. connectors

### Screw clamp connection

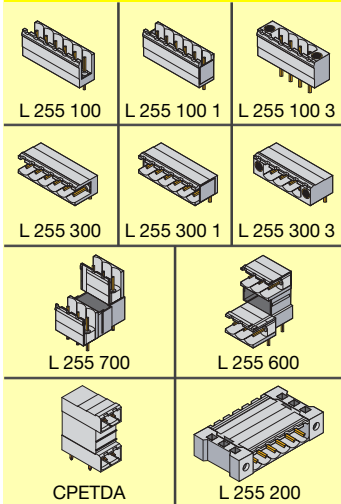
Spacing 5.08 mm

Body : UL94 V0



Plug shape  
TILE

#### Sockets for plugs



### Characteristics

Wire size				
	DIN-VDE	UL	CSA	NFC-UTE
Solid	0.2-2.5mm <sup>2</sup>	22-14 AWG	22-14 AWG	0.2-2.5mm <sup>2</sup>
Stranded	0.2-2.5mm <sup>2</sup>	22-14 AWG	22-14 AWG	0.2-2.5mm <sup>2</sup>
Voltage				
V	~ 250 Gr.C = 250 Gr.C	300	300	250 Cat.C 250 Cat.C
Current at 20° C				
A	12	10	15	12
Rated wire size				
	14 AWG	14 AWG	14 AWG	14 AWG
Other characteristics				
Wire stripping length	Recomm. screwdriver	Recomm. torque	Protection	
	3.5 mm .138"	0.4 Nm 3.5 lb.in	IP 20 NEMA 1	
Max. working temperature : 85 °C				
Contact resistance : ≤ 5 mΩ				
Contact plating : gold plating on request				

#### Approvals

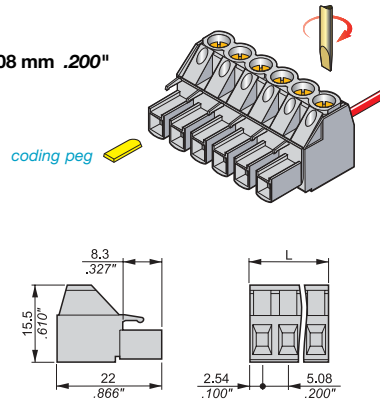
#### Accessories

1	Coding peg	
2	Housing	
3	Screws for housing	
4	Strap for housing	
R	See section on marking	Marking method

## L 245 200

Screw clamp plug wires parallel to connection

Spacing 5.08 mm .200"



#### Part number

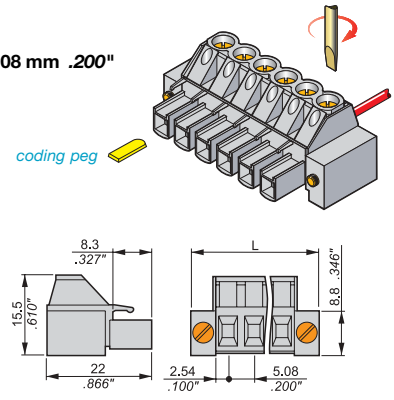
Spacing 5.08 mm	Grey body	L. mm
N. Poles		
2	L 245 202 01 000	10.16
3	L 245 203 01 000	15.24
4	L 245 204 01 000	20.32
5	L 245 205 01 000	25.40
6	L 245 206 01 000	30.48
7	L 245 207 01 000	35.56
8	L 245 208 01 000	40.64
9	L 245 209 01 000	45.72
10	L 245 210 01 000	50.80
12	L 245 212 01 000	60.96
14	L 245 214 01 000	71.12
15	L 245 215 01 000	76.20
16	L 245 216 01 000	81.28
18	L 245 218 01 000	91.44

Other numbers of poles 19...36, consult us

## L 245 200 3

Screw clamp plug wires parallel to connection fitted with screw type flanges

Spacing 5.08 mm .200"



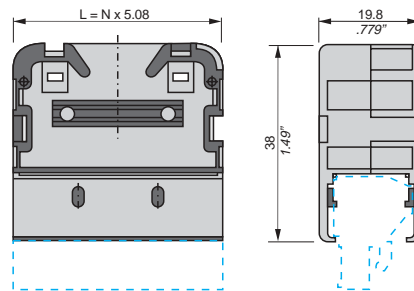
#### Part number

Spacing 5.08 mm	Grey body	L. mm
N. Poles		
2	L 245 202 31 000	20.32
3	L 245 203 31 000	25.40
4	L 245 204 31 000	30.48
5	L 245 205 31 000	35.56
6	L 245 206 31 000	40.64
7	L 245 207 31 000	45.72
8	L 245 208 31 000	50.80
9	L 245 209 31 000	55.88
10	L 245 210 31 000	60.96
12	L 245 212 31 000	71.12
14	L 245 214 31 000	81.28
15	L 245 215 31 000	86.36
16	L 245 216 31 000	91.44
18	L 245 218 31 000	101.60

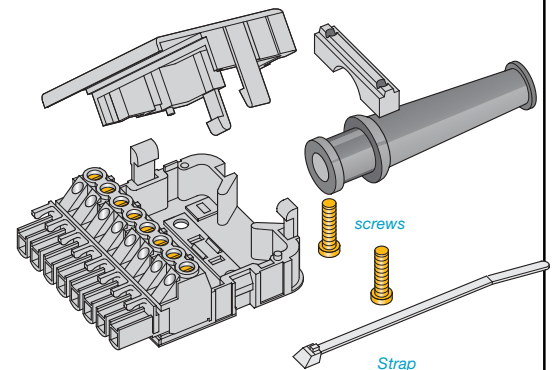
Other numbers of poles 19...36, consult us

## L 299 083

Strain relief housing covers for series L 245 200 and L 245 200 3 plugs



Strain relief housing with self tapping screws capable of holding 22-14 AWG wires.  
Covers snap together without the use of tools giving the user the possibility of having wires exit at 180° or 45° using a fixing strap.



plug 245 200 and 245 200 3



Type	Part number	L. mm
	L 299 084 06 000	
8 poles	L 299 083 08 000	40.64
12 poles	L 299 083 12 000	60.96
16 poles	L 299 083 16 000	81.28
18 poles	L 299 083 18 000	91.44
Marking using adhesive strips 1...25	L 93 025 05 100	



Type	Part number	L. mm
	L 299 084 06 000	
8 poles	L 299 083 08 000	40.64
12 poles	L 299 083 12 000	60.96
16 poles	L 299 083 16 000	81.28
18 poles	L 299 083 18 000	91.44
Marking using adhesive strips 1...25	L 93 025 05 100	

## X-ON Electronics

Largest Supplier of Electrical and Electronic Components

*Click to view similar products for [TE CONNECTIVITY](#) manufacturer:*

Other Similar products are found below :

[D38999/24FJ4AN](#) [1-2000677-8](#) [SMD100-2](#) [D38999/20WJ43BD](#) [4-176756-8](#) [983-6SE22-12S7-L](#) [D38999/24ZE35PN](#) [DJT10F17-26HN](#) [5-1437490-9](#) [7022X3H](#) [983-6SE18-14P9-L](#) [AFD50-16-23SN-6116-LC](#) [603995-1](#) [D38999/24WF32JE](#) [D38999/24WF32SE-LC](#) [DTS24W19-32HE](#) [D38999/20WD19SB-LC](#) [842723N001](#) [213904-1](#) [C1177A](#) [AFD51-18-32PW-6116-LC](#) [D38999/24FD19PD](#) [D38999/24FD19PD-LC](#) [D38999/24FF32BA](#) [D38999/26WH21PB-LC](#) [D38999/20FH21PE](#) [D38999/20FH21PE-LC](#) [D38999/24FH21PN](#) [DTS20F23-21PE](#) [D38999/20FH21PB-LC](#) [D38999/26FJ35PE](#) [D38999/32Z15N](#) [DTS26W9-35JB-LC](#) [D38999/26JJ29JN](#) [102976-7](#) [D38999/20FJ4SB-LC](#) [1-2322421-6](#) [D38999/20FJ24SB-LC](#) [MS3474L12-10P-LC](#) [MS3474L12-10PW-LC](#) [MS27467T21F16P-LC](#) [D50184-000](#) [WINTOTAL-6-END-USER-LICENCE](#) [164-8033-08](#) [DTS26W17-99HA](#) [MS27468T17F26H](#) [DJT14F17-26HN](#) [DJT14F17-26HB](#) [AFD58-24-61PY-1A](#) [983-6SE18-14S7-L](#)