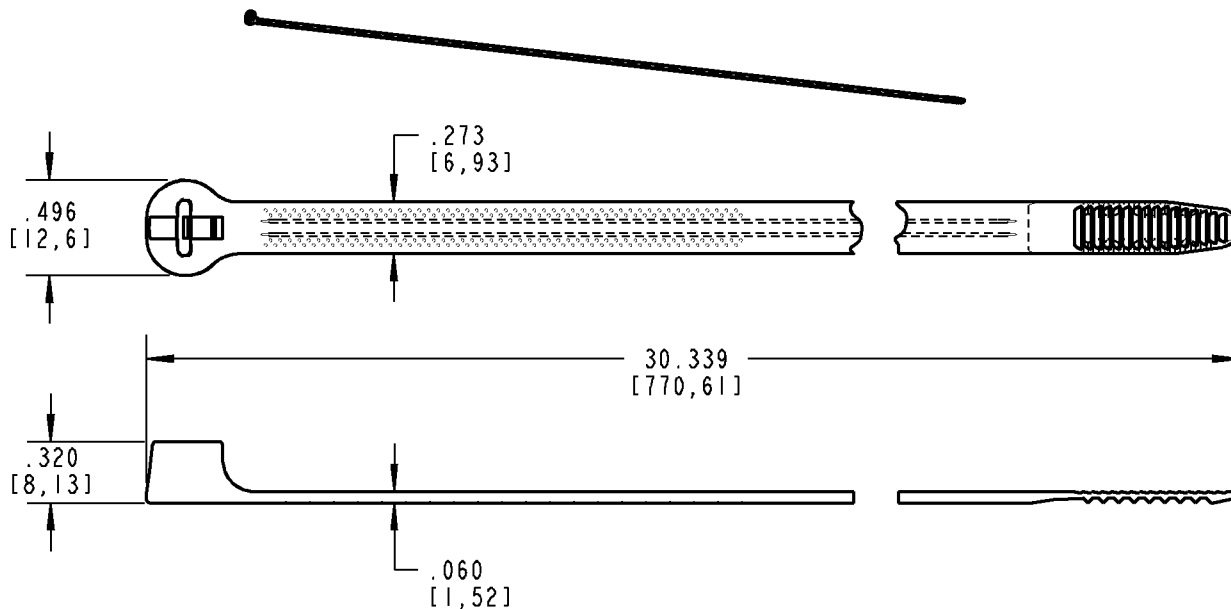




Ty-Rap



NOTES:

1. MATERIAL CONFORMS TO ASTM D4066 PA11
2. MAXIMUM BUNDLE DIAMETER: 9.000 [228.6]
3. TENSILE RATING: 120 LBS [534 N]
4. OPERATING TEMPERATURE RANGE: -40°F [-40°C] TO 185°F [85°C]
5. INSTALLATION TOOL/SETTING: WT197/5-8 (MS90387-2)

CATALOG NUMBER	MATERIAL	COLOR	MILITARY STANDARD TYPE 1 CLASS 1
TY29M*	NYLON 6,6	NATURAL	MS3367-6-*
TY29MX	WEATHER RESISTANT NYLON	BLACK	MS3367-6-0

STANDARD PACKAGE QUANTITY IS 50,
ADDITIONAL PACK QUANTITIES AVAILABLE UPON REQUEST

* COLORS AVAILABLE (ADD SUFFIX TO END OF CAT. NO.)	
-0 = BLACK	-5 = GREEN
-1 = BROWN	-6 = BLUE
-2 = RED	-7 = PURPLE
-3 = ORANGE	-8 = GRAY
-4 = YELLOW	-9 = WHITE

GENERAL NOTES		Thomas & Betts <small>www.tnb.com</small>			
1. ALL DIMENSIONS ARE FOR REFERENCE ONLY. 2. DIMENSIONS IN BRACKETS [] ARE IN METRIC UNITS.					
REVISIONS		DESCRIPTION: SELF-LOCKING CABLE TIE (TY29M SERIES)			
** SEE ERN (****) FOR APPROVAL SIGNATURES & RELEASE DATE. PROJECT NO: ****		ORIGINAL PROJECT NO / (ERN NO)	SHEET NO:	REV. NO:	DRAWING NO:
		FM401183 / (2006909)	1 OF 1	-	WSD-000280

X-ON Electronics

Largest Supplier of Electrical and Electronic Components

Click to view similar products for [ABB manufacturer:](#)

Other Similar products are found below :

[TY27MX](#) [TV10-516R](#) [RF727](#) [2CMA100178R1000](#) [ACS150-01E-09A8-2](#) [KS70-1104](#) [A75-30-11-230V-50HZ](#) [10-100](#) [5SDD](#) [92Z0401](#)
[ESV14-BS](#) [EZS-21-250](#) [F204AC-40/0.1](#) [F362-25/0.03](#) [A40-30-10-84](#) [AF26-30-00-14](#) [AF30-30-00-13](#) [AF460-30-11-68](#) [AF50-30-11-70](#)
[1455](#) [B14-250](#) [EF45-30](#) [ERG297](#) [HSC2-20](#) [1SAM201904R1001](#) [1SAM350000R1003](#) [1SAZ711201R1045](#) [1SAZ721201R1009](#)
[1SAZ721201R1014](#) [1SAZ721201R1025](#) [1SAZ721201R1045](#) [1SBL367001R1300](#) [1SDA057197R1](#) [1SFA611100R1104](#) [1SFA611101R1002](#)
[1SFA611130R1103](#) [1SFA611133R1106](#) [1SFA611143R1101](#) [1SFA611202R1108](#) [1SFA611203R1108](#) [1SFA611210R1101](#)
[1SFA611215R1001](#) [1SFA611216R1108](#) [1SFA611281R1002](#) [1SFA611285R1002](#) [1SFA611702R6006](#) [1SFA616162R1025](#)
[1SFA896106R1100](#) [1SVR730020R0200](#) [IPC4111](#) [OHB125J12](#)