

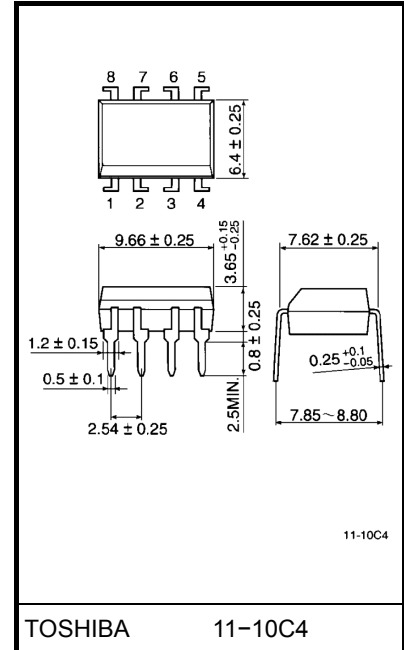
# 6N138, 6N139

Current Loop Driver  
 Low Input Current Line Receiver  
 CMOS Logic Interface

The TOSHIBA 6N138 and 6N139 consists of a GaAsIred emitting diode coupled with a split-Darlington output configuration. A high speed GaAsIred manufactured with an unique LPE junction, has the virtue of fast rise and fall time at low drive current.

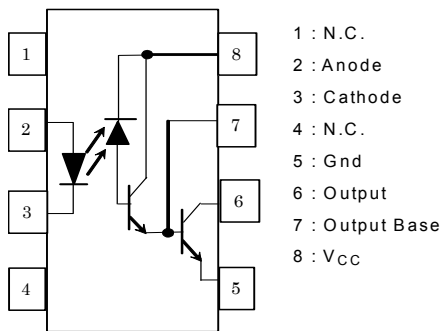
- Isolation voltage: 2500 Vrms (min)
- Current transfer ratio
  - : 6N138 - 300% (min) ( $I_F=1.6\text{mA}$ )
  - : 6N139 - 400% (min) ( $I_F=0.5\text{mA}$ )
- Switching time: 6N138 -  $t_{PHL} = 10\mu\text{s}$  (max)  
 -  $t_{PLH} = 35\mu\text{s}$  (max)  
 6N139 -  $t_{PHL} = 1\mu\text{s}$  (max)  
 -  $t_{PLH} = 7\mu\text{s}$  (max)
- UL recognized: UL1577, file no. E67349

Unit: mm

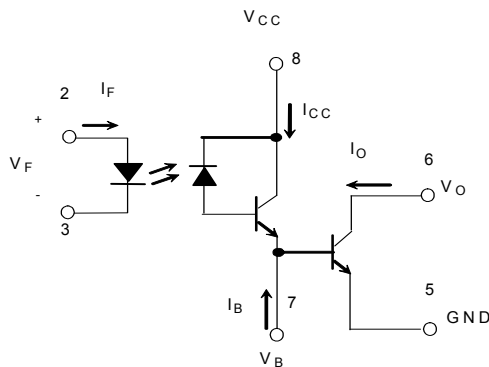


Weight: 0.54 g (typ.)

## Pin Configuration (top view)



## Schematic



Start of commercial production  
 1988/02

## Absolute Maximum Ratings (\*) (Ta = 0°C to + 70°C)

Characteristic		Symbol	Rating	Unit
LED	Forward current (Note 1)	$I_F$	20	mA
	Pulse forward current	$I_{FP}^{(*)}$	40	mA
	Total pulse forward current	$I_{FP}^{(**)}$	1	A
	Reverse voltage	$V_R$	5	V
	Diode power dissipation (Note 2)	$P_D$	35	mW
Detector	Output current (Note 3)	$I_O$	60	mA
	Emitter-base reverse voltage	$V_{EB}$	0.5	V
	Supply voltage	$V_{CC}^{(*)}$	-0.5 to 18	V
	Output voltage	$V_O^{(*)}$	-0.5 to 18	V
	Output power dissipation (Note 4)	$P_O$	100	mW
Operating temperature range		$T_{opr}$	0 to 70	°C
Storage temperature range		$T_{stg}$	-55 to 125	°C
Lead solder temperature (10s) <sup>(*)</sup>		$T_{sol}$	260	°C
Isolation voltage (1minute, R.H.≤ 60%)		$BV_S^{(**)}$	2500	$V_{rms}$
			3540	$V_{dc}$

Note: Using continuously under heavy loads (e.g. the application of high temperature/current/voltage and the significant change in temperature, etc.) may cause this product to decrease in the reliability significantly even if the operating conditions (i.e. operating temperature/current/voltage, etc.) are within the absolute maximum ratings.

Please design the appropriate reliability upon reviewing the Toshiba Semiconductor Reliability Handbook ("Handling Precautions"/"Derating Concept and Methods") and individual reliability data (i.e. reliability test report and estimated failure rate, etc.).

(\*) JEDEC registered data

(\*\*) Not registered JEDEC

(\*1) 50% duty cycle, 1ms pulse width

(\*2) Pulse width 1μs, 300pps

(\*3) 6N138··· -0.5 to 7V

(\*4) 1.6mm below seating plane

## Electrical Characteristics Over Recommended Temperature (Ta = 0°C to 70°C, unless otherwise noted)

Characteristic		Symbol	Test Condition	Min	(*5)Typ.	Max	Unit
Current transfer ratio (Note 5, 6)	6N139	CTR(*)	I <sub>F</sub> =0.5mA, V <sub>O</sub> =0.4V V <sub>CC</sub> =4.5V	400	800	—	%
	6N138		I <sub>F</sub> =1.6mA, V <sub>O</sub> =0.4V V <sub>CC</sub> =4.5V	500	900	—	
Logic low output voltage (Note 6)	6N139	V <sub>OL</sub>	I <sub>F</sub> =1.6mA, I <sub>O</sub> =6.4mA V <sub>CC</sub> =4.5V	—	0.1	0.4	V
			I <sub>F</sub> =5mA, I <sub>O</sub> =15mA V <sub>CC</sub> =4.5V	—	0.1	0.4	
	I <sub>F</sub> =12mA, I <sub>O</sub> =24mA V <sub>CC</sub> =4.5V		—	0.2	0.4		
	6N138		I <sub>F</sub> =1.6mA, I <sub>O</sub> =4.8mA V <sub>CC</sub> =4.5V	—	0.1	0.4	
Logic high output current (Note 6)	6N139	I <sub>OH</sub> (*)	I <sub>F</sub> =0mA, V <sub>O</sub> =V <sub>CC</sub> =18V	—	0.05	100	μA
	6N138		I <sub>F</sub> =0mA, V <sub>O</sub> =V <sub>CC</sub> =7V	—	0.05	250	
Logic low supply current (Note 6)		I <sub>CCL</sub>	I <sub>F</sub> =1.6mA, V <sub>O</sub> =Open V <sub>CC</sub> =5V	—	0.2	—	mA
Logic high supply current (Note 6)		I <sub>CCH</sub>	I <sub>F</sub> =0mA, V <sub>O</sub> =Open, V <sub>CC</sub> =5V	—	10	—	nA
Input forward voltage		V <sub>F</sub> (*)	I <sub>F</sub> =1.6mA, Ta=25°C	—	1.65	1.7	V
Input reverse breakdown voltage		BV <sub>R</sub> (*)	I <sub>R</sub> =10μA, Ta=25°C	5	—	—	V
Temperature coefficient of forward voltage		ΔV <sub>F</sub> / ΔTa	I <sub>F</sub> =1.6mA	—	-1.9	—	mV / °C
Input capacitance		C <sub>IN</sub>	f=1MHz, V <sub>F</sub> =0	—	60	—	pF
Resistance (input-output)		R <sub>I-O</sub>	V <sub>I-O</sub> =500V R.H.≤ 60% (Note 7),	—	10 <sup>12</sup>	—	Ω
Capacitance (input-output)		C <sub>I-O</sub>	f=1MHz (Note 7)	—	0.6	—	pF

(\*\*) JEDEC registered data.

(\*5) All typical values are at Ta=25°C and V<sub>CC</sub>=5V, unless otherwise noted.

## Switching Specifications (Ta=25°C, VCC=5V, unless otherwise specified)

Characteristic		Symbol	Test Circuit	Test Condition	Min	Typ.	Max	Unit
Propagation delay time to logic low at output (Note 6, 8)	6N139	t <sub>pHL</sub> (*)	1	I <sub>F</sub> =0.5mA, R <sub>L</sub> =4.7kΩ	—	5	25	μs
	6N138			I <sub>F</sub> =12mA, R <sub>L</sub> =270Ω	—	0.2	1	
				I <sub>F</sub> =1.6mA, R <sub>L</sub> =2.2kΩ	—	1	10	
Propagation delay time to logic high at output (Note 6, 8)	6N139	t <sub>pLH</sub> (*)	1	I <sub>F</sub> =0.5mA, R <sub>L</sub> =4.7kΩ	—	5	60	μs
	6N138			I <sub>F</sub> =12mA, R <sub>L</sub> =270Ω	—	1	7	
				I <sub>F</sub> =1.6mA, R <sub>L</sub> =2.2kΩ	—	4	35	
Common mode transient immunity at logic high level output (Note 9)		CM <sub>H</sub>	2	I <sub>F</sub> =0mA, R <sub>L</sub> =2.2kΩ V <sub>CM</sub> =400V <sub>p-p</sub>	—	500	—	V / μs
Common mode transient immunity at logic low level output (Note 9)		CM <sub>L</sub>	2	I <sub>F</sub> =1.6mA R <sub>L</sub> =2.2kΩ V <sub>CM</sub> =400V <sub>p-p</sub>	—	-500	—	V / μs

(\*)JEDEC registered data.

(Note 1): Derate linearly above 50°C free-air temperature at a rate of 0.4mA / °C

(Note 2): Derate linearly above 50°C free-air temperature at a rate of 0.7mW / °C

(Note 3): Derate linearly above 25°C free-air temperature at a rate of 0.7mA / °C

(Note 4): Derate linearly above 25°C free-air temperature at a rate of 2.0mW / °C

(Note 5): DC CURRENT TRANSFER RATIO is defined as the ratio of output collector current, I<sub>O</sub>, to the forward LED input current, I<sub>F</sub>, times 100%.

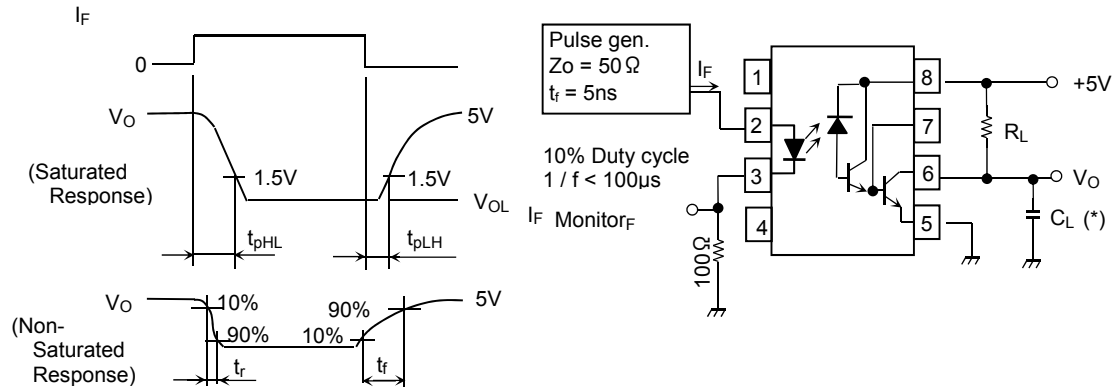
(Note 6): Pin 7 open.

(Note 7): Device considered a two-terminal device: Pins 1, 2, 3, and 4 shorted together and Pins 5, 6, 7 and 8 shorted together.

(Note 8): Use of a resistor between pin 5 and 7 will decrease gain and delay time.

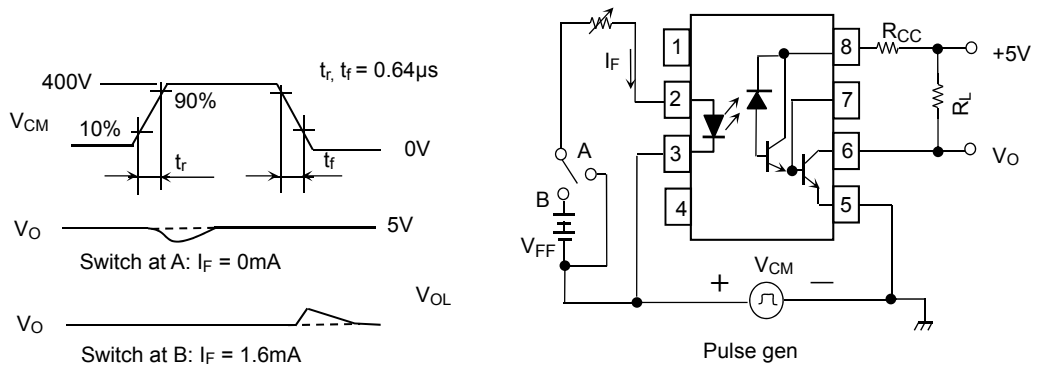
(Note 9): Common mode transient immunity in logic high level is the maximum tolerable (positive) dV<sub>CM</sub> / dt on the leading edge of the common mode pulse, V<sub>CM</sub>, to assure that the output will remain in a logic high state (i.e. V<sub>O</sub> > 2.0V).  
Common mode transient immunity in Logic Low level is the maximum tolerable (negative) dV<sub>CM</sub> / dt on the trailing edge of the common mode pulse signal, V<sub>CM</sub>, to assure that the output will remain in a logic low state (i.e. V<sub>O</sub> < 0.8V).

## Test Circuit 1.



(\*)  $C_L$  is approximately 15pF which includes probe and stray wiring capacitance.

## Test Circuit 2.



**RESTRICTIONS ON PRODUCT USE**

- Toshiba Corporation, and its subsidiaries and affiliates (collectively "TOSHIBA"), reserve the right to make changes to the information in this document, and related hardware, software and systems (collectively "Product") without notice.
- This document and any information herein may not be reproduced without prior written permission from TOSHIBA. Even with TOSHIBA's written permission, reproduction is permissible only if reproduction is without alteration/omission.
- Though TOSHIBA works continually to improve Product's quality and reliability, Product can malfunction or fail. Customers are responsible for complying with safety standards and for providing adequate designs and safeguards for their hardware, software and systems which minimize risk and avoid situations in which a malfunction or failure of Product could cause loss of human life, bodily injury or damage to property, including data loss or corruption. Before customers use the Product, create designs including the Product, or incorporate the Product into their own applications, customers must also refer to and comply with (a) the latest versions of all relevant TOSHIBA information, including without limitation, this document, the specifications, the data sheets and application notes for Product and the precautions and conditions set forth in the "TOSHIBA Semiconductor Reliability Handbook" and (b) the instructions for the application with which the Product will be used with or for. Customers are solely responsible for all aspects of their own product design or applications, including but not limited to (a) determining the appropriateness of the use of this Product in such design or applications; (b) evaluating and determining the applicability of any information contained in this document, or in charts, diagrams, programs, algorithms, sample application circuits, or any other referenced documents; and (c) validating all operating parameters for such designs and applications. **TOSHIBA ASSUMES NO LIABILITY FOR CUSTOMERS' PRODUCT DESIGN OR APPLICATIONS.**
- **PRODUCT IS NEITHER INTENDED NOR WARRANTED FOR USE IN EQUIPMENTS OR SYSTEMS THAT REQUIRE EXTRAORDINARILY HIGH LEVELS OF QUALITY AND/OR RELIABILITY, AND/OR A MALFUNCTION OR FAILURE OF WHICH MAY CAUSE LOSS OF HUMAN LIFE, BODILY INJURY, SERIOUS PROPERTY DAMAGE AND/OR SERIOUS PUBLIC IMPACT ("UNINTENDED USE").** Except for specific applications as expressly stated in this document, Unintended Use includes, without limitation, equipment used in nuclear facilities, equipment used in the aerospace industry, medical equipment, equipment used for automobiles, trains, ships and other transportation, traffic signaling equipment, equipment used to control combustions or explosions, safety devices, elevators and escalators, devices related to electric power, and equipment used in finance-related fields. **IF YOU USE PRODUCT FOR UNINTENDED USE, TOSHIBA ASSUMES NO LIABILITY FOR PRODUCT.** For details, please contact your TOSHIBA sales representative.
- Do not disassemble, analyze, reverse-engineer, alter, modify, translate or copy Product, whether in whole or in part.
- Product shall not be used for or incorporated into any products or systems whose manufacture, use, or sale is prohibited under any applicable laws or regulations.
- The information contained herein is presented only as guidance for Product use. No responsibility is assumed by TOSHIBA for any infringement of patents or any other intellectual property rights of third parties that may result from the use of Product. No license to any intellectual property right is granted by this document, whether express or implied, by estoppel or otherwise.
- **ABSENT A WRITTEN SIGNED AGREEMENT, EXCEPT AS PROVIDED IN THE RELEVANT TERMS AND CONDITIONS OF SALE FOR PRODUCT, AND TO THE MAXIMUM EXTENT ALLOWABLE BY LAW, TOSHIBA (1) ASSUMES NO LIABILITY WHATSOEVER, INCLUDING WITHOUT LIMITATION, INDIRECT, CONSEQUENTIAL, SPECIAL, OR INCIDENTAL DAMAGES OR LOSS, INCLUDING WITHOUT LIMITATION, LOSS OF PROFITS, LOSS OF OPPORTUNITIES, BUSINESS INTERRUPTION AND LOSS OF DATA, AND (2) DISCLAIMS ANY AND ALL EXPRESS OR IMPLIED WARRANTIES AND CONDITIONS RELATED TO SALE, USE OF PRODUCT, OR INFORMATION, INCLUDING WARRANTIES OR CONDITIONS OF MERCHANTABILITY, FITNESS FOR A PARTICULAR PURPOSE, ACCURACY OF INFORMATION, OR NONINFRINGEMENT.**
- GaAs (Gallium Arsenide) is used in Product. GaAs is harmful to humans if consumed or absorbed, whether in the form of dust or vapor. Handle with care and do not break, cut, crush, grind, dissolve chemically or otherwise expose GaAs in Product.
- Do not use or otherwise make available Product or related software or technology for any military purposes, including without limitation, for the design, development, use, stockpiling or manufacturing of nuclear, chemical, or biological weapons or missile technology products (mass destruction weapons). Product and related software and technology may be controlled under the applicable export laws and regulations including, without limitation, the Japanese Foreign Exchange and Foreign Trade Law and the U.S. Export Administration Regulations. Export and re-export of Product or related software or technology are strictly prohibited except in compliance with all applicable export laws and regulations.
- Please contact your TOSHIBA sales representative for details as to environmental matters such as the RoHS compatibility of Product. Please use Product in compliance with all applicable laws and regulations that regulate the inclusion or use of controlled substances, including without limitation, the EU RoHS Directive. **TOSHIBA ASSUMES NO LIABILITY FOR DAMAGES OR LOSSES OCCURRING AS A RESULT OF NONCOMPLIANCE WITH APPLICABLE LAWS AND REGULATIONS.**

# X-ON Electronics

Largest Supplier of Electrical and Electronic Components

*Click to view similar products for [Toshiba manufacturer:](#)*

Other Similar products are found below :

[TLP624-4F](#) [HDEPR01GEA51](#) [TB62218AFTG,8,EL](#) [TB6560AHQ\(O,8\)](#) [TORX1952\(6M,F\)](#) [TB62215AFTG,8,EL](#) [TC7SH02FU,LJ](#)  
[TC7WT125FU\(TE12L,F](#) [2SA1587-BL,LF](#) [TC7SBL384CFU,LF](#) [TLP183\(GB,E](#) [431392HB](#) [EMPP008Z](#) [TC58DVM92A5TA00](#) [TLP291\(TP,E\)](#)  
[TLP5214\(D4-TP,E](#) [TPC8120](#) [TLP352\(LF1,F\)](#) [TLP293\(BL-TPL,E](#) [TLP206A\(F\)](#) [TLP109\(TPR,E\)](#) [TK16A60W,S4VX](#) [TBD62503AFNG,EL](#)  
[TLP185\(GR-TPL,E\(O](#) [TLP185\(GB-TPR,E\(O](#) [TLP3906\(TPR,E\(O](#) [VFNC3S-2002PL](#) [VFNC3S-2015PL](#) [TLP7820\(D4-A,E](#) [SSM3J35AMFV,L3F](#)  
[SSM3J14T](#) [TCK22971G,LF](#) [THGBMDG5D1LBAIL](#) [TLP3214\(TP15,F\)](#) [058399HB](#) [TORX177F,T](#) [VFS15S-2015PL-W](#) [TB6560AFG,8](#)  
[TK39N60W5,S1VF](#) [TLP5754\(D4,E](#) [TC7W14FUTE12LF](#) [AB3X2X3W](#) [TB6560AFG\(O,8\)](#) [TB6568KQ\(O,8\)](#) [TLP185\(GR.E\(O](#) [74HC138D](#)  
[SW89CN0-ZCC](#) [THGAF8T1T83BAIR](#) [SSM3K376R,LF](#) [TLP293-4\(GB-TP,E\(T](#)