

## 3 Watt LED Module

### Light Source

- 1 High Power Light Emitting Diode (3 Watt LED)
- Colors: Cool White, Warm White, Blue, Cyan, Green, Amber and Red
- Consistent unit-to-unit color temperature

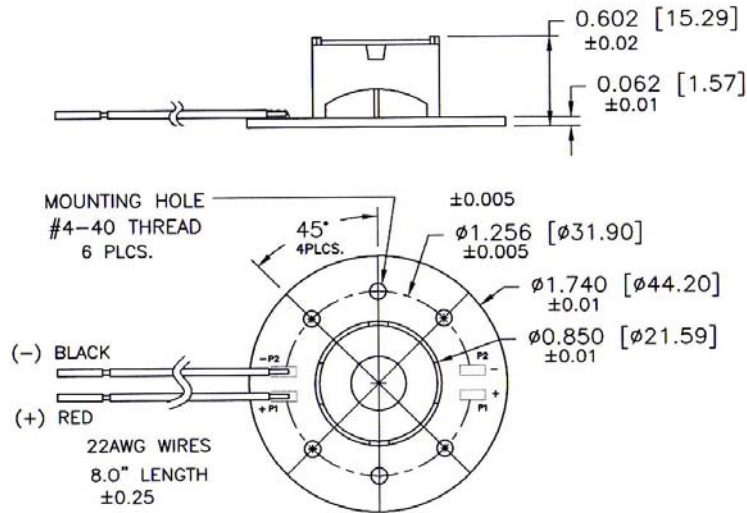


### • Model-ILL3A0001

- 1.74" (44.2mm) round compact source
- May be driven up to 1000mA
- Operating life 50,000 hours
- For Spot Lighting, Landscape Lighting, Architectural Lighting, Portable Lighting, Task Lighting, Track Lighting, Point of Purchase, Cabinet and Display Case Lighting
- High efficiency optics: 5 or 25 degrees (see "Photometric Data")
- Metal Clad PCB Substrate
- 8" power leads
- Compatible with range of standard and custom drivers

P/N ILL3A0001* *=Color and (5° or 25°) Optics	Color	Color Temp - Dominant Wavelength	Typical Luminous Flux (Lumens)	Design Current (mA)	Luminous Intensity (cd)	Power Consumption (Watts)
ILL3A0001(A or H)	Cool White	6400K +/- 600K	64	700	1097.00 (A) 275.50 (H)	2.8
ILL3A0001(B or I)	Warm White	3250K +/- 250K	40	700		2.8
ILL3A0001(C or J)	Blue	470nm	19	700		2.8
ILL3A0001(D or K)	CyanL	505nm	52	700		2.8
ILL3A0001(E or L)	Green	530nm	52	700		2.8
ILL3A0001(F or M)	Amber	589nm	48	700		1.8
ILL3A0001(G or N)	Red	625nm	52	700		1.8

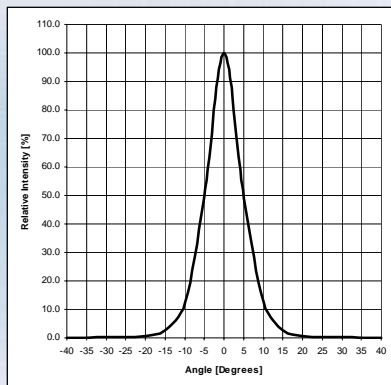
## Specifications



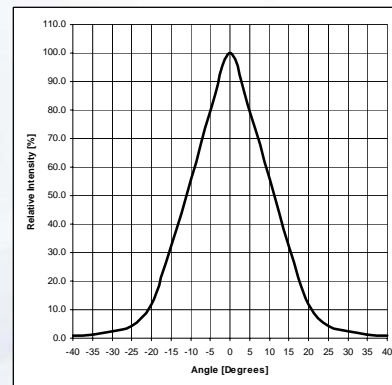
### Operating Specifications:

- Operating PCB temperature: 65 °C (Recommended)
- Maximum PCB temperature: 100 °C
- Thermal Resistance (Rthj-a): 32 °C/W
- Projected life: 50,000 hours (70% lumen maintenance at 65 °C)
- \* Additional heat sinking required, refer to CML technical support for thermal management guidelines

## Photometric Data



Radiation Pattern with 5° optic (CW)



Radiation Pattern with 25° optic (CW)

## X-ON Electronics

Largest Supplier of Electrical and Electronic Components

*Click to view similar products for [CML manufacturer](#):*

Other Similar products are found below :

[19210362](#) [190413Z1](#) [19040361](#) [1884635W3D](#) [19300133](#) [19301231](#) [195F1231](#) [19211252](#) [19031251](#) [19030353](#) [195A1350](#) [SK-3-2500](#)  
[6275AL](#) [19041051](#) [19210003](#) [192A1352](#) [19050257](#) [19010053](#) [T000205](#) [19241254](#) [LH15](#) [V53124A](#) [19051357](#) [1860613W3A](#) [19180351](#)  
[19511230](#) [SK-2-2500](#) [W1309](#) [19050253](#) [19041052](#) [1512145UY3](#) [19051361](#) [18600M51](#) [19210363](#) [15121451](#) [19040351](#) [19740235](#)  
[19210253](#) [19211253](#) [192A0352](#) [19740135](#) [6342002505R](#) [192D0000](#) [190403Z2](#) [19000352](#) [1862623W3A](#) [1511A35W3A](#) [19380350M](#)  
[19TR0I12](#) [19041357](#)