

General accessories expand the functionality of our enclosures by adding new features. The Fibox accessory range provides a variety of inspection windows, and ventilation/pressure equalizer devices.



General accessories



Inspection windows



Ventilation devices



RoHS compliant and halogen-free

INSPECTION WINDOWS

Order symbol Dimensions inch Dimensions mm Description

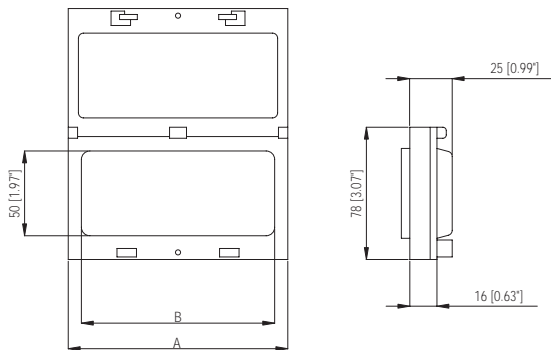
Polycarbonate (PC), IP 54

L 02	2.4 x 3	60 x 77	Window for 2 modules • Clear cover
L 04	3.8 x 3	96 x 77	Window for 4 modules • Clear cover
L 06	5.1 x 3	130 x 77	Window for 6 modules • Clear cover
L 08	6.4 x 3	162 x 77	Window for 8 modules • Clear cover
L 10	7.8 x 3	199 x 77	Window for 10 modules • Clear cover

Polycarbonate (PC), IP 65

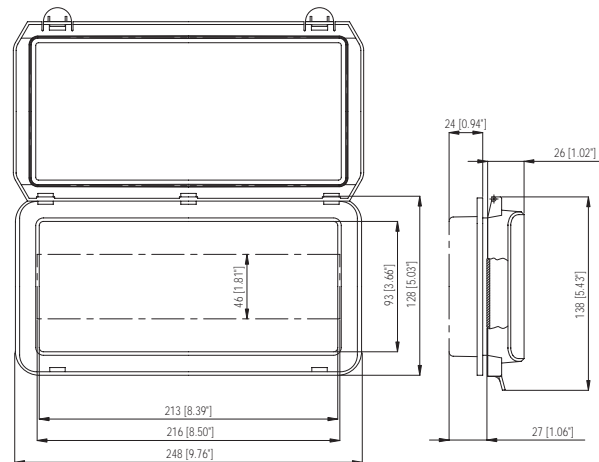
L 12	9.8 x 5	248 x 128	Window for 12 modules • Low clear cover
L 12 II	9.8 x 5	248 x 128	Window for 12 modules • Smoked transparent cover
L 13	10.1 x 4.3	257 x 108	Window for 13 modules • Clear cover
L 24	9.8 x 8.6	248 x 218	Window for 24 modules • Low clear cover
L 24 II	9.8 x 8.6	248 x 218	Window for 24 modules • Smoked transparent cover
L 43 II	13 x 10.9	331 x 277	Window for 26 modules • Smoked transparent cover
L 44 II	14.8 x 13	377 x 331	Window for 36 modules • Smoked transparent cover

L 02 – L 10

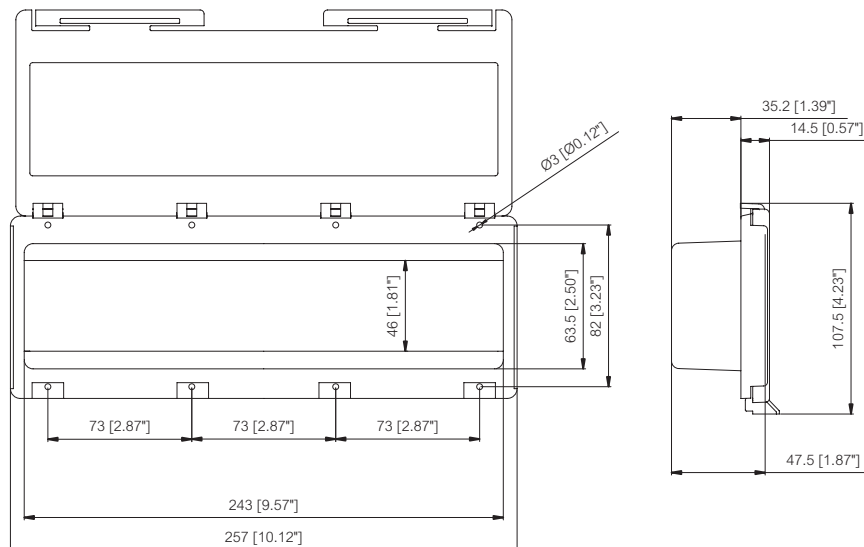


TYPE	A	B
L02	59 [2.32\"]	44 [1.73\"]
L04	94.5 [3.72\"]	78 [3.07\"]
L06	129.5 [5.10\"]	114 [4.48\"]
L08	163 [6.42\"]	146 [5.75\"]
L10	200 [7.87\"]	183 [7.20\"]

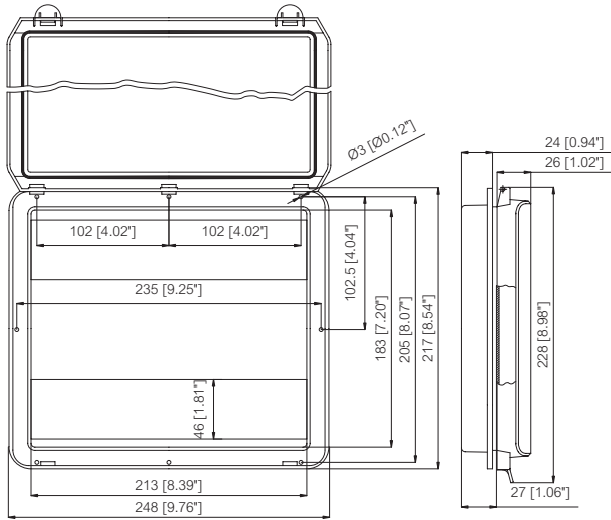
L 12



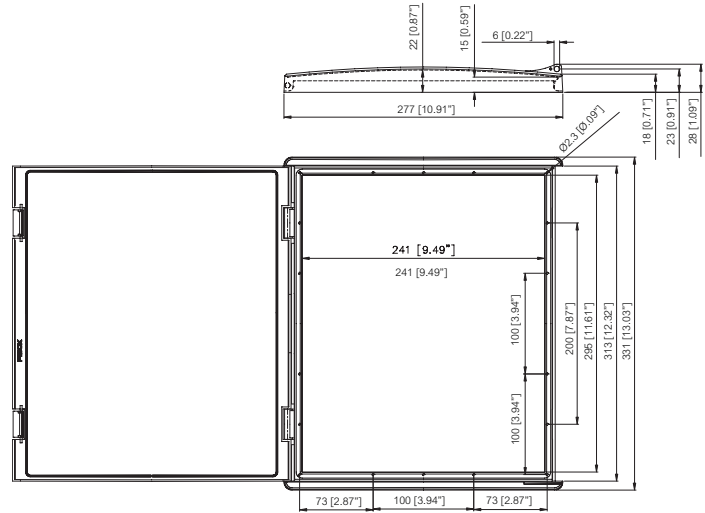
L 13



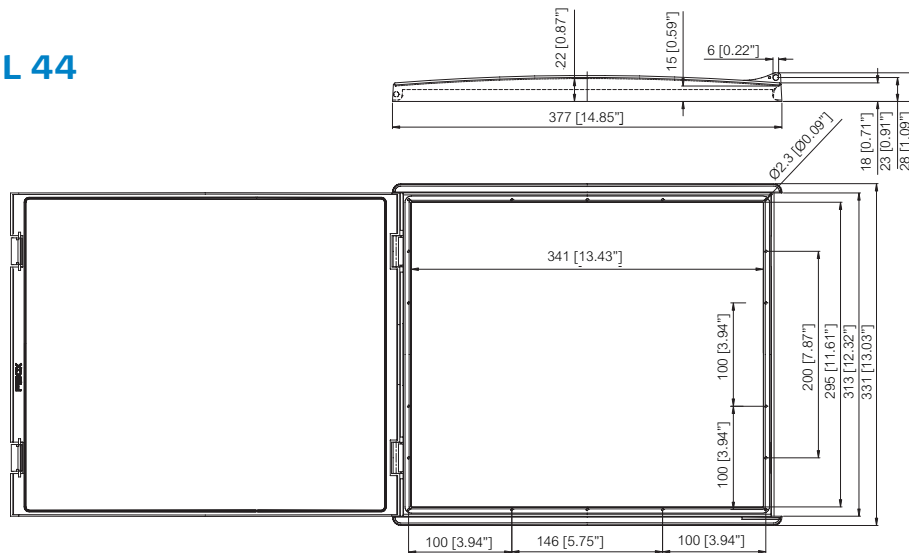
L 24



L 43



L 44



VENTILATION DEVICES

Order symbol	Description
MB 10564 II	Ventilation device IP 44 ▪ Gasketed, incl. screws
MB 10858 II	Grille/filter holder ▪ for MB 10564 II
MB 10859 II	Holder for fan ▪ incl. screws
MB 10894	Pressure equalizer plug, IP 68 ▪ light gray, thread M12 x 1,5
MB 10631	Ventilation device IP 33
MB 12189	Draining plug IP 34



X-ON Electronics

Largest Supplier of Electrical and Electronic Components

Click to view similar products for [Fibox manufacturer](#):

Other Similar products are found below :

[PC 100/100 HG ENCLOSURE](#) [PCT 162509](#) [ABS F 65 G](#) [CAB P 302017](#) [CAB PC 303018 G3B](#) [ABQ3 153410](#) [CAB PCQ 404017 G](#) [PC 2819 13 T-2FSH](#) [PC 5628 13 T](#) [TAM 090706 MC](#) [TAM201610](#) [ARCA 203015](#) [ARCA 604021](#) [EKPVT 2539547](#) [PC 100/75 HT](#) [PCM 125/100 G](#) [CAB PC 403018 G](#) [PC 125/125 HG](#) [7094450](#) [PC 200/150 HT](#) [PCM 175/100 T](#) [PCT 121210](#) [9821007](#) [EKPE 130 T ENCLOSURE](#) [ABS C 85 G](#) [FEX 3828 18 T ENCLOSURE](#) [7811250](#) [CAB PC 302018 T CABINET](#) [CAB PC 303018 T CABINET](#) [CAB PCQ 403023 T](#) [CAB PCQ 603017G](#) [CAB PC 604022 T3B CABINET](#) [PC 30/25-3 ENCLOSURE](#) [AR14127CHSS](#) [EKTH 130 T](#) [EKUH 180 G](#) [EKUH 180 T](#) [AR1086CHLT](#) [AR181610CHSC](#) [FP 36/31](#) [MP 1912](#) [PC 071004](#) [PC 175/150 HG](#) [PC 3819 18 T-2FSH](#) [PC 5628 13 T-3FSH](#) [8120843](#)
[8120844](#) [8120845](#) [8120846](#)