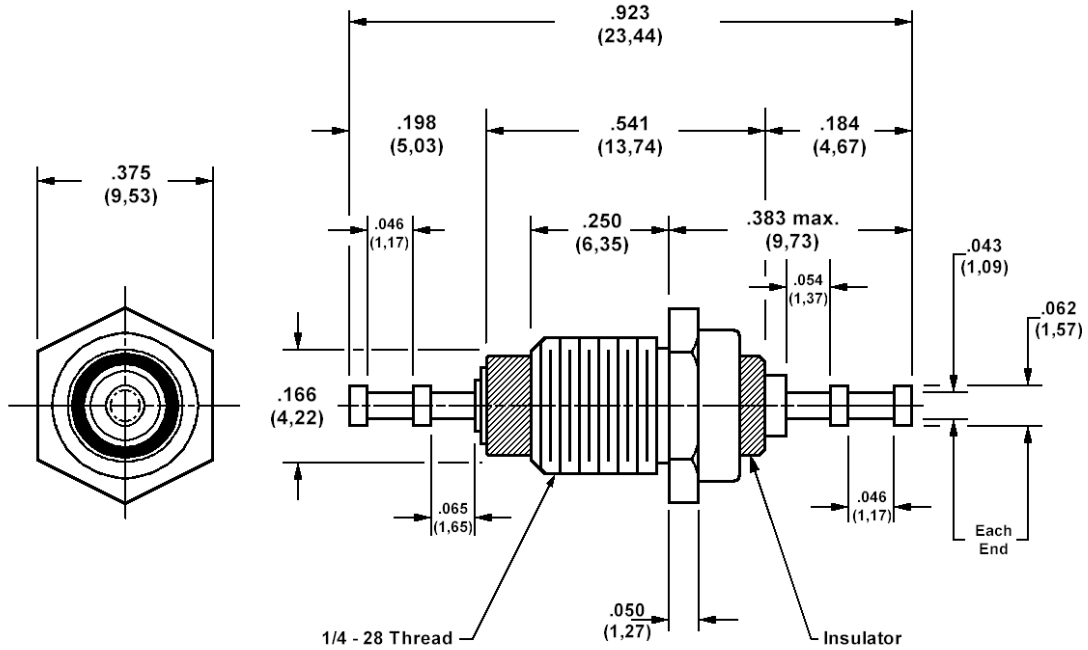


## 570-1990 Insulated solder terminal, Feed thru



### How to order code 570-1990-01-YY-00

Basic Part No (YY = plating finish. See tables for options)

Component	Material	Finish (YY)	
		-01	-05
Terminal	Brass	Silver	Electro Solder
Mounting Stud	Brass	Nickel	Nickel
Insulator	Ceramic		

Unassembled Mounting Hardware	Material	Finish
Mounting Hex Nut	Brass	Nickel
Internal Tooth Lockwasher	Phosphor Bronze	Nickel

Additional Specifications	
Dielectric Withstanding Voltage (VRMS)	2500

# X-ON Electronics

Largest Supplier of Electrical and Electronic Components

*Click to view similar products for [Cambion manufacturer](#):*

Other Similar products are found below :

[570-1990-01-01-00](#) [160-3653-02-05-00](#) [160-1512-02-01-00](#) [570-1511-01-01-19](#) [450-8340-01-06-00](#) [450-8325-01-06-00](#) [450-3367-01-04-00](#) [571-4182-03-01-19](#) [460-8250-01-03-00](#) [460-8250-01-04-00](#) [571-4015-01-01-19](#) [572-4862-01-05-16](#) [160-1582-02-01-00](#) [450-3388-01-03-00](#)