

3M™ D Sub Plug

50 Position – 8250 Series



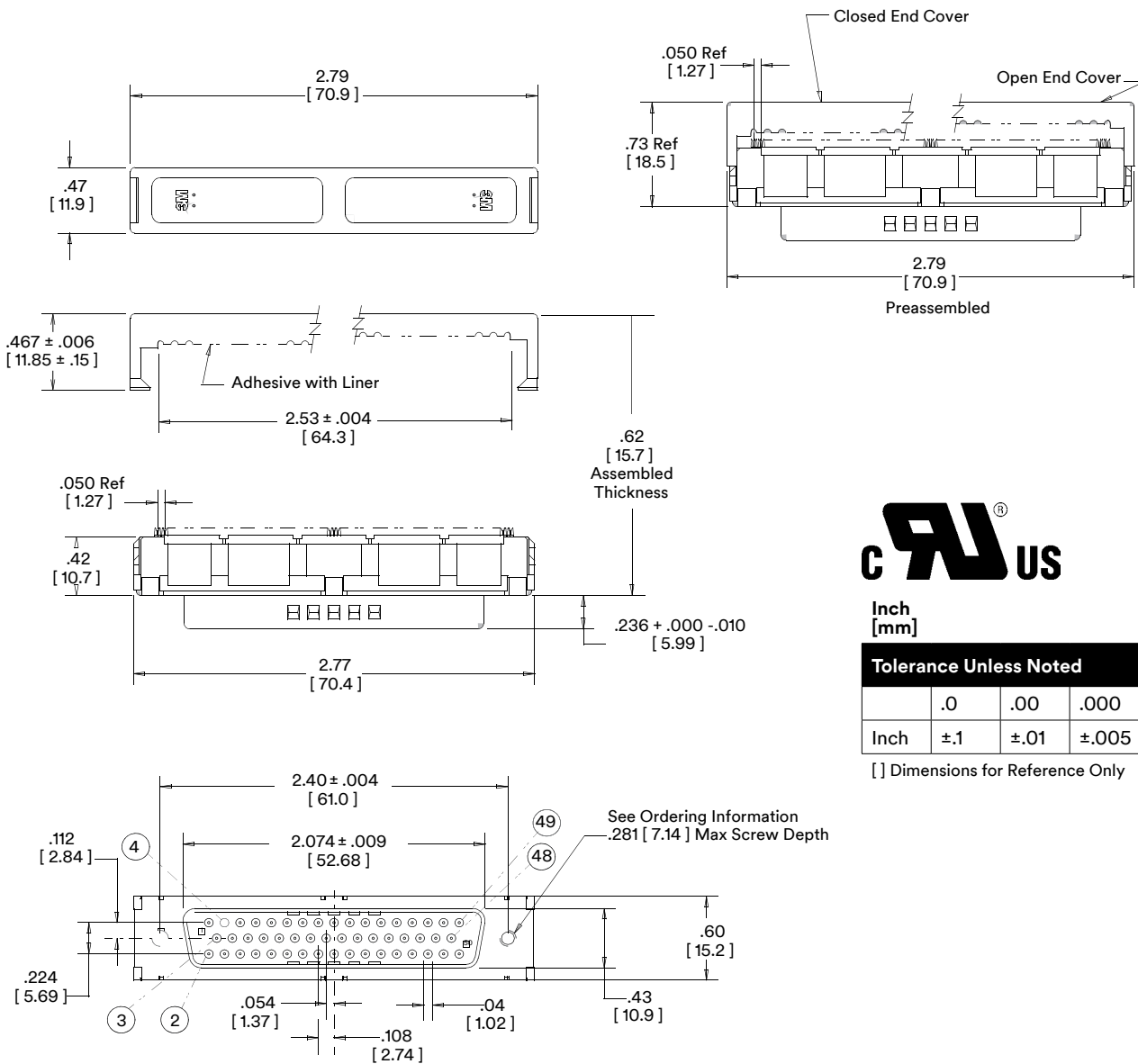
- IDC compatible
- Dimples aid in EMI/ESD protection
- Lower insertion/withdrawal force than other 50 position products
- Available in either open or closed end cover
- Mounting options include #4-40 UNC or metric M2.5 threaded inserts
- Conforms to Intelligent Peripheral Interface (IPI) standard
- See Regulatory Information Appendix for chemical compliance information

Physical	
Insulation: Material Flammability Color	Glass Filled Polyester (PBT) UL 94V-0 Gray
Contact: Material	Copper Alloy
Plating: Underplating Wiping Area	100 μ" [2.54 μm] Nickel 30 μ" [0.76 μm] Gold
Shell: Material Plating	Steel Bright Nickel
Strain Relief Material	Stainless Steel - .020 [0.50] Thick
Wire Accommodation	26 and 28 AWG Solid or Stranded
Marking	3M Logo and Contact Position Numbers
Electrical	
Current Rating	1 A
Insulation Resistance	$> 1 \times 10^9 \Omega$ at 500 V _{DC}
Withstanding Voltage	1,000 V _{RMS} at Sea Level
Environmental	
Temperature Rating	-55°C to +105°C

UL File No.: E68080

3M™ D Sub Plug

50 Position – 8250 Series



Inch
[mm]

Tolerance Unless Noted

	.0	.00	.000
Inch	±.1	±.01	±.005

[] Dimensions for Reference Only

Notes:

1. Circled Numbers represent cable conductor number. (xx)
2. Preassembled closed cover is on Pin #1 side.

Ordering Information

Connector
8250 - X00X

Cover Style:
6= Open Cover
7= Closed Cover

Mounting Style:
5 = 4-40 UNC
6 = M2.5

Strain Relief

(Order Separately)

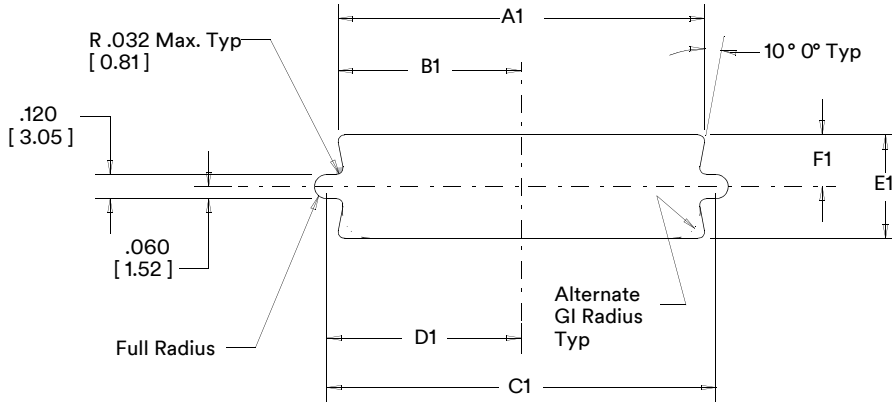
3448 - 8D50

3M™ D Sub Plug

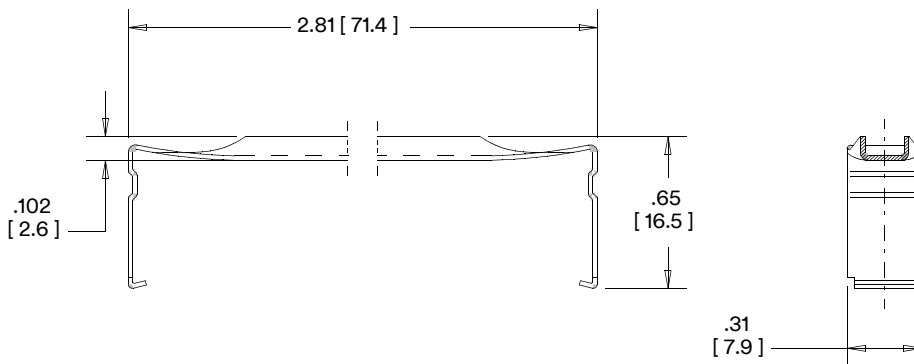
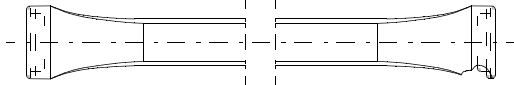
50 Position – 8250 Series

Mounting Method*	Contact Quantity	Dimensions						
		A1	B1	C1	D1	E1	F1	G1
Rear	50	2.218 [56.34]	1.109 [28.17]	2.40 [61.0]	1.20 [30.48]	0.525 [13.34]	0.26 [6.60]	0.120 [3.05]

*Rear Mount - The connector is mounted behind the panel.



Strain Relief
(Order Separately)
Material: Stainless Steel



Electronics Materials Solutions Division

6801 River Place Blvd.
Austin, TX 78726-9000

Phone 1-800-225-5373
Web 3M.com/electronics

3M is a trademark of 3M Company.
Please recycle.
©3M 2016. All rights reserved.
78-5100-0035-5

TS-0035-D
Sheet 3 of 3

X-ON Electronics

Largest Supplier of Electrical and Electronic Components

Click to view similar products for [3m manufacturer](#):

Other Similar products are found below :

[SC401U](#) [98-0003-3071-6](#) [80-0012-6467-2](#) [00-054007-70220-7](#) [00-054007-34717-0](#) [5952-3/4"x15yds](#) [021200-40230](#) [6840-2X50-GRAY](#)
[6A11-A0121-007.0-0](#) [701-W](#) [7993MP-2CIRCLE-100](#) [FDV14-187C](#) [8124/14](#) [8124/20-100](#) [812510-100](#) [8125/17](#) [813216](#) [8204-3LFM](#) [8425-](#)
[8](#) [MNG14BCX](#) [FP301-1/8-6"-Black](#) [FP-301 18 BLACK 500](#) [FV14-6C](#) [920102-01-25-R](#) [927739-40](#) [929835-01-28-RK](#) [929974-01-40-R](#)
[951240-2520-AR-PR](#) [960X/980X](#) [98-0003-3075-7](#) [HF365/16SF](#) [HF36564-100](#) [HF625/26-30](#) [1/2-5-4492W](#) [1/2-5-4951](#) [1/2-5-5430](#) [1/2-5-](#)
[850S](#) [1/2-5-3431](#) [12X12-6-4056B](#) [12X12-6-433](#) [12X12-6-4930](#) [13-500-NB](#) [14526-EZ5B-300-02C](#) [1-4-4658F](#) [14520-EZAB-300-0EC](#)
[DSTK9013-3420](#) [DSTK9015-3402](#) [14T26-SZLB-200-0LC](#) [14T50-SZWB-100-0NC](#) [1-5-3437](#)